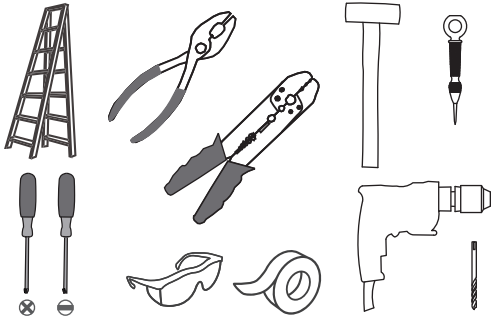
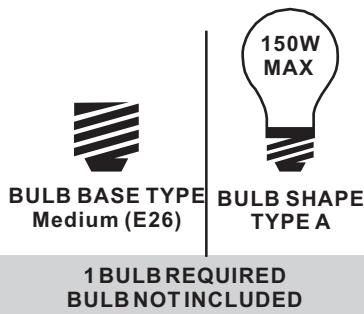


Tools Required



Light Source



Warnings and Cautions

Turn off the electricity at the circuit breaker before installation. Consult a licensed electrician if in doubt about installation.



Turn off power to the fixture and allow the bulbs to cool before replacing.

Package Contents

Preparation: Identify and inspect all parts before beginning the installation.

Missing or damaged parts? Contact your original place of purchase.

PARTS BAG

-  **A** Mounting Screw x 3
-  **B** Wire Connector x 3

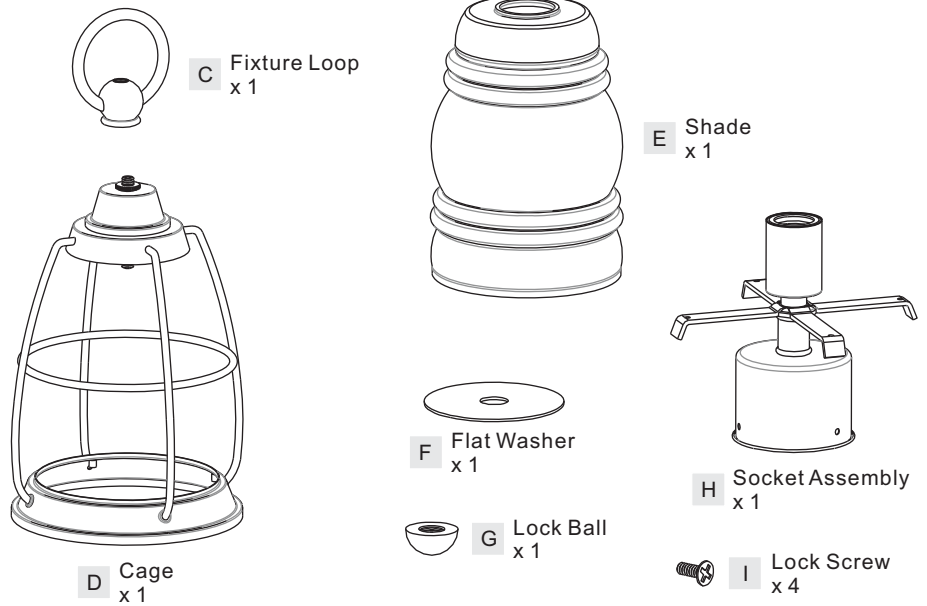
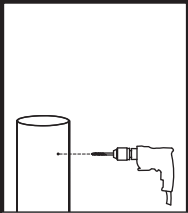
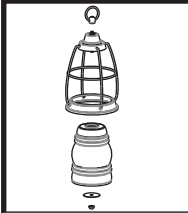
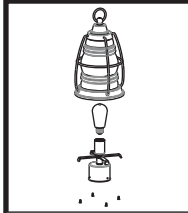
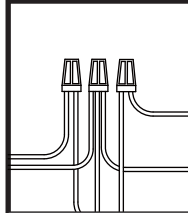
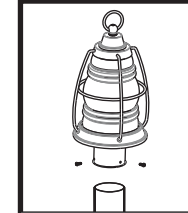


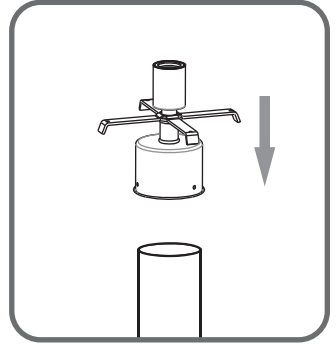
Table of Contents

| Drill Holes | Shade & Fixture Loop | Bulb & Cage | Wiring | Socket Assembly |
|---|---|---|---|---|
|  |  |  |  |  |
| STEP 1 | STEP 2 | STEP 3 | STEP 4 | STEP 5 |

STEP 1

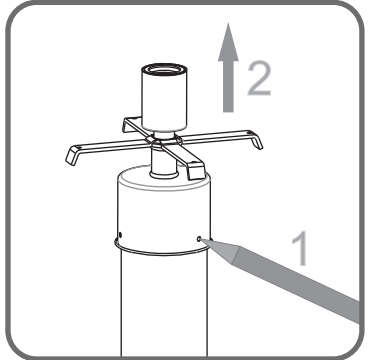
1

Step 1
Place Post Fitter to Post

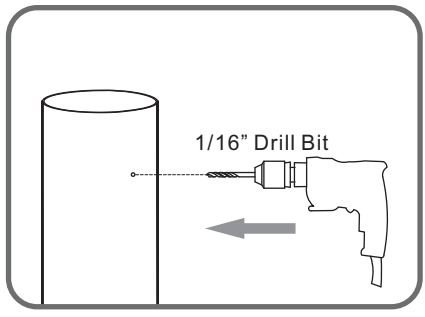
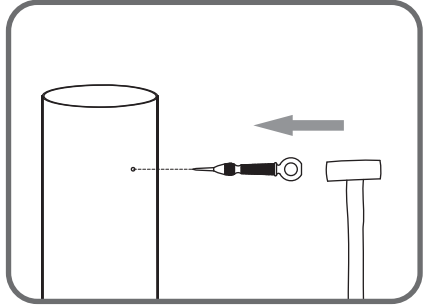


2

Step 2-3
Mark Mounting Holes Location on Post



3



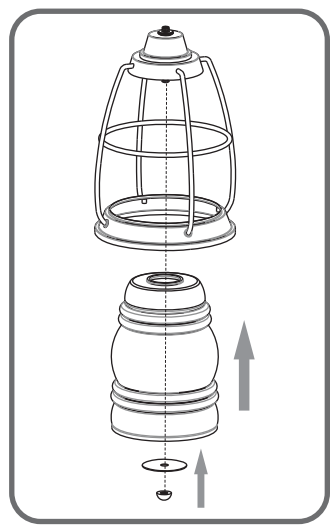
Step 4
Drill Holes

4

STEP 2

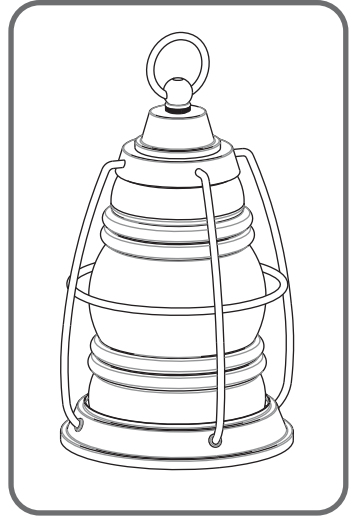
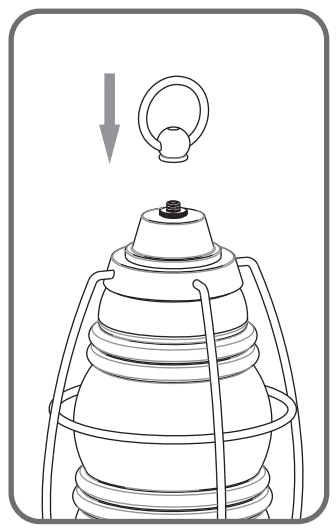
1

Install Shade



2

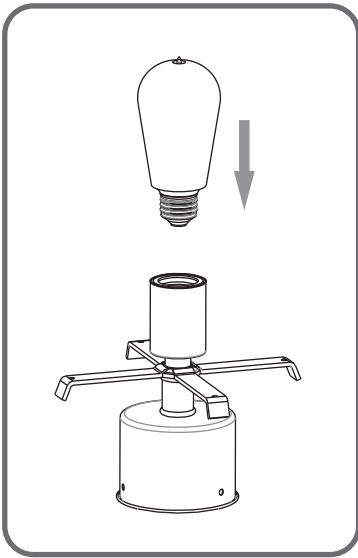
Install Fixture Loop



STEP 3

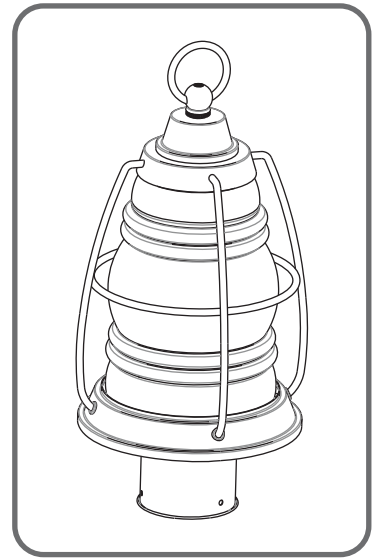
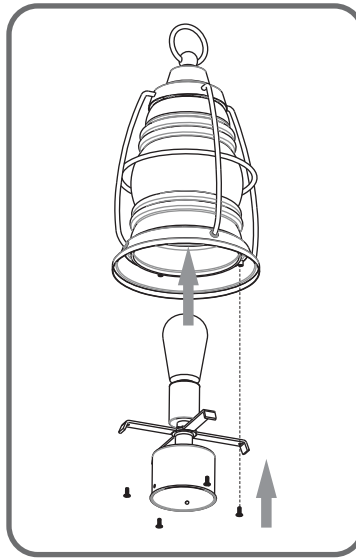
1

Install Bulb

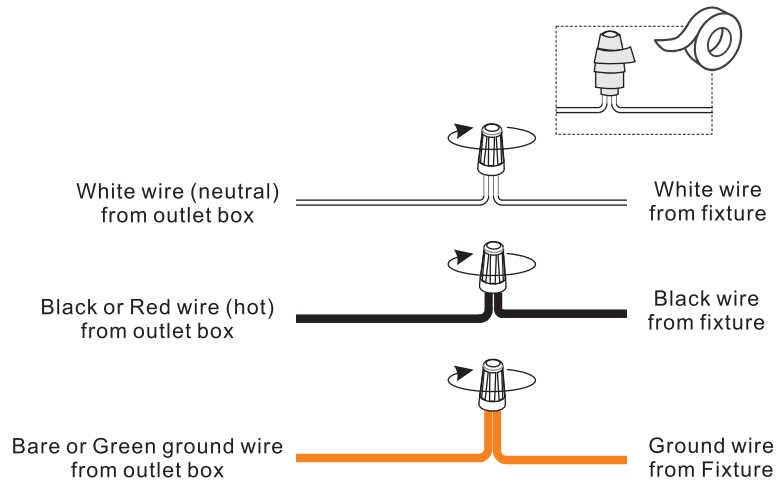


2

Install Fixture Body



STEP 4



STEP 5

