

**SAFETY INFORMATION**

Please read and understand this entire manual before attempting to assemble, install or operate the product.

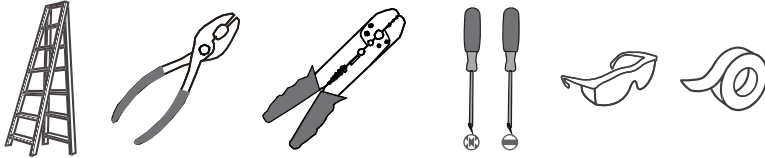
**WARNING**

- RISK OF ELECTRIC SHOCK - Before beginning installation, turn off electricity at the circuit breaker box or the main fuse box.
- RISK OF FIRE - Use bulbs specified by the markings and/or labels on the fixture.

**CAUTION**

- For your safety, read instructions completely before beginning installation.
- If in doubt about electrical installation, consult a licensed electrician.
- Turn off electricity to fixture before replacing the bulb(s).

**TOOLS REQUIRED**

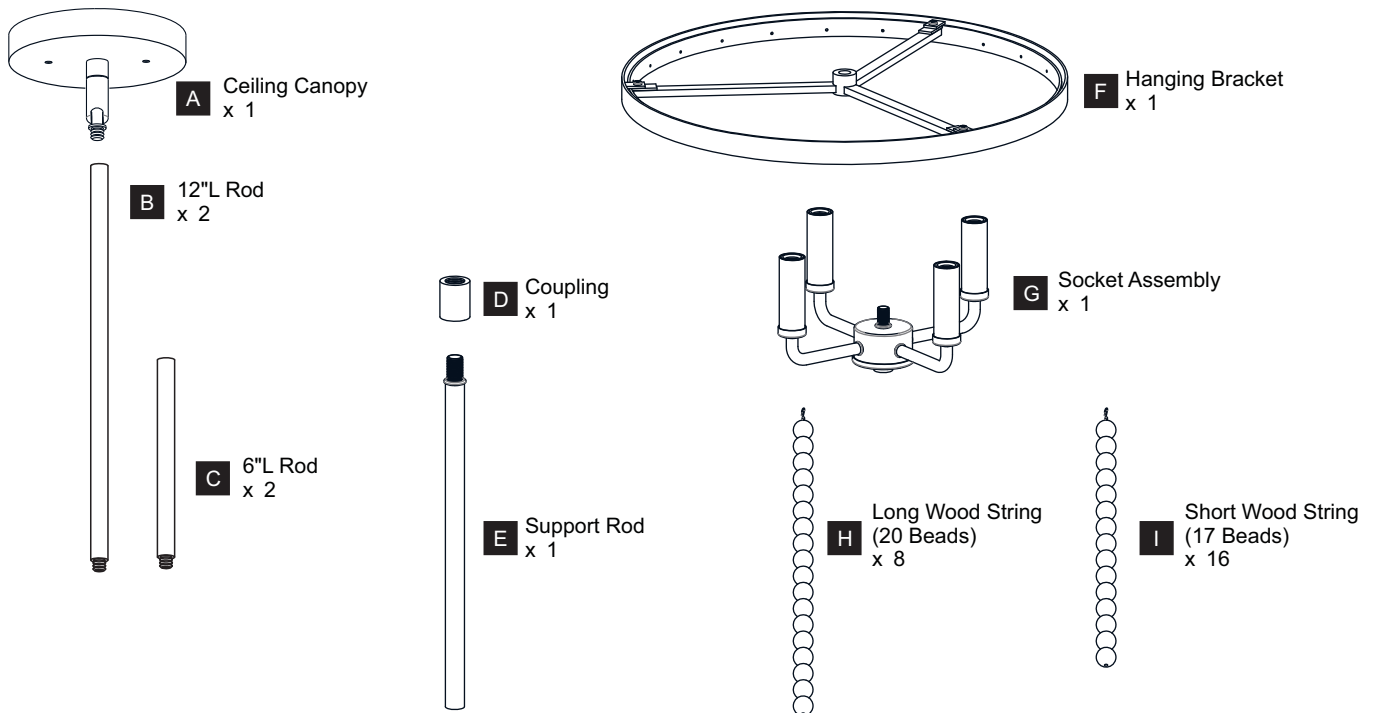


**CARE AND MAINTENANCE**

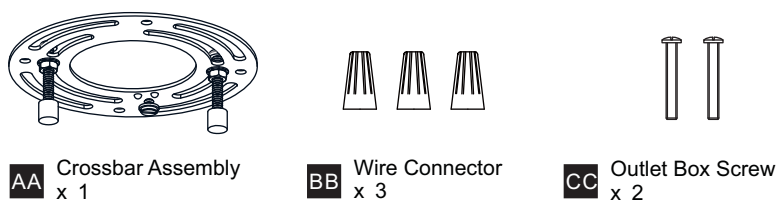
- Wipe clean using soft, dry cloth or static duster. Always avoid using harsh chemicals and abrasives to clean fixture as they may damage the finish.

If you need further assistance call Quoizel Customer Care at 1-800-645-3184 (9:00am - 5:00pm EST), or visit us on-line at [www.quoizel.com](http://www.quoizel.com).

**PACKAGE CONTENTS**



**MOUNTING HARDWARE**



# INSTALLATION

## OPTION 1: PENDANT - APE2816AB

**1 Install Hanging Bracket to Socket Assembly**

**2 Install Rods**

Optional Rods:

- 8 Feet Ceiling: (1) 6"L Rod + (1) 12"L Rod.
- 9 Feet Ceiling: (1) 6"L Rod + (2) 12"L Rods.
- 10 Feet Ceiling: (2) 6"L Rods + (2) 12"L Rods.

**3 Tighten Hex Nut inside of Ceiling Canopy**

**4 Install Ceiling Canopy to Upper Rod**

**5 Install Crossbar Assembly**

Outlet box

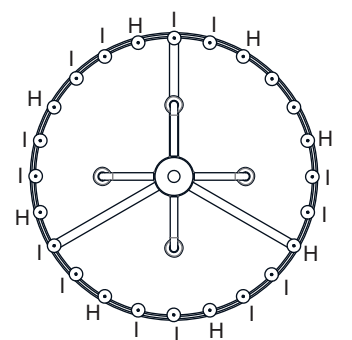
**6 Wiring**

**7 Install Ceiling Canopy to Crossbar Assembly**

90Degree Swivel

For angled ceilings, Swivel opening towards wall.

**8 Install Wood Strings**



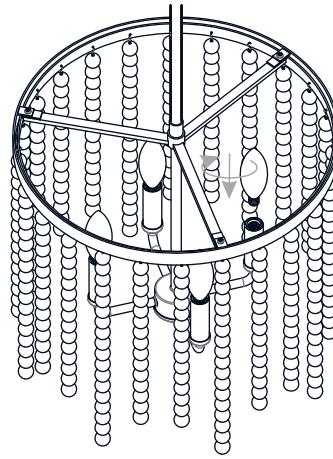
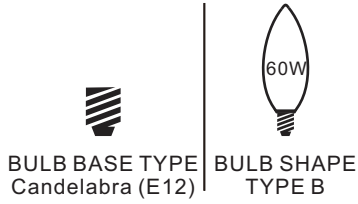
**Wood Strings Distribution**

# INSTALLATION

## 9 Install Bulbs

Install four correct bulbs referring to fixture markings and/or labels for maximum wattage.

**Recommended Bulb type (not included):**

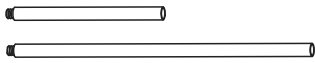


**Your installation is now complete! Restore electricity and save this sheet for future reference.**

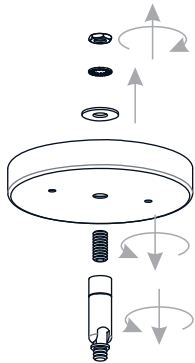
**IMPORTANT:** This CONVERTIBLE fixture can be mounted as pendant light or semi-flush light. **DO NOT CUT SUPPLY WIRES** if you intend to use it as pendant light.

### OPTION 2: SEMI-FLUSH - APE1716AB

\* Set aside (2) 6"L Rods and (2) 12"L Rods since they are not required for the semi-flush installation.

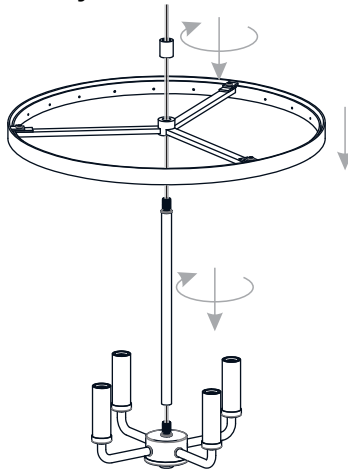


#### 1 Remove Swivel from Ceiling Canopy

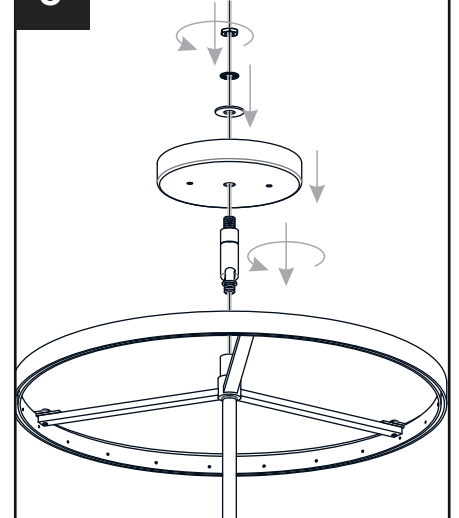


\* Set aside the swivel since it is not required for the semi-flush installation.

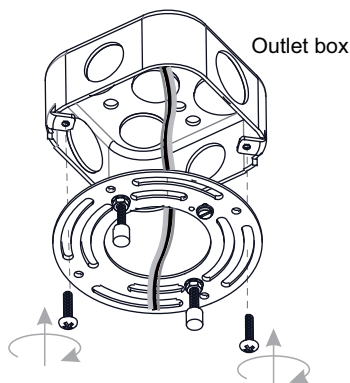
#### 2 Install Hanging Bracket to Socket Assembly



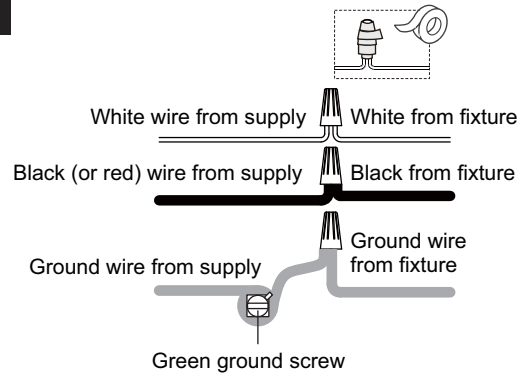
#### 3 Install Ceiling Canopy



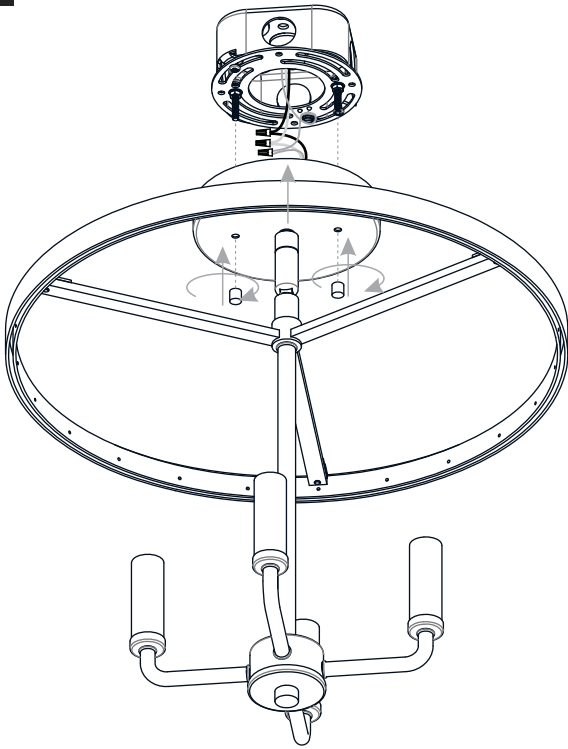
#### 4 Install Crossbar Assembly



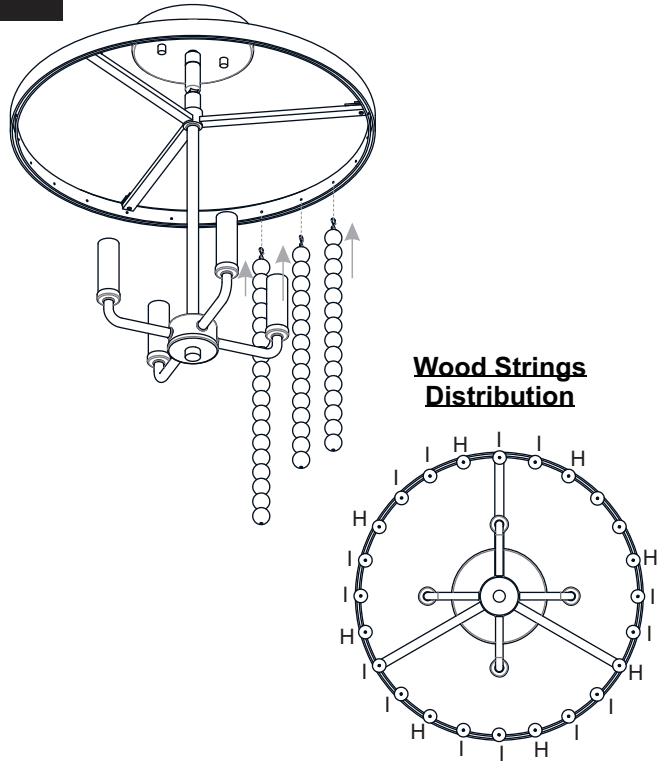
#### 5 Wiring



**6 Install Ceiling Canopy to Crossbar Assembly**



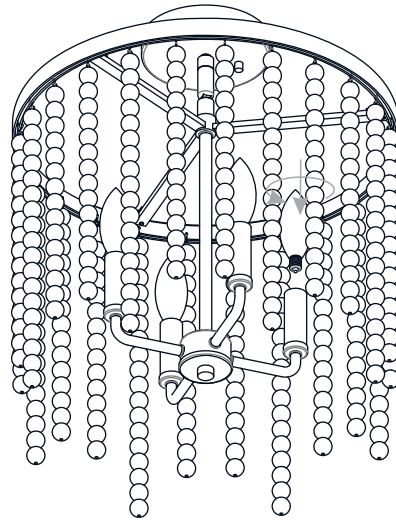
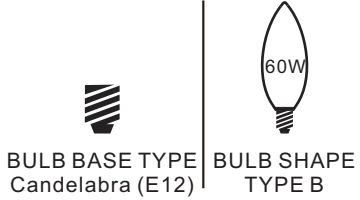
**7 Install Wood Strings**



**8 Install Bulbs**

Install four correct bulbs referring to fixture markings and/or labels for maximum wattage.

**Recommended Bulb type (not included):**



**Your installation is now complete! Restore electricity and save this sheet for future reference.**