

Please go to [www. quozel. com](http://www. quozel. com) for product cleaning tips. Go to the **Care + Maintenance** selection.

**Tools Required:** Flathead screwdriver, Phillips screwdriver, pliers, wire cutters, wire strippers, electrical tape, safety glasses.

**Light Source:** Integrated 14W LED

**Estimated Assembly Time:** 20-30 minutes

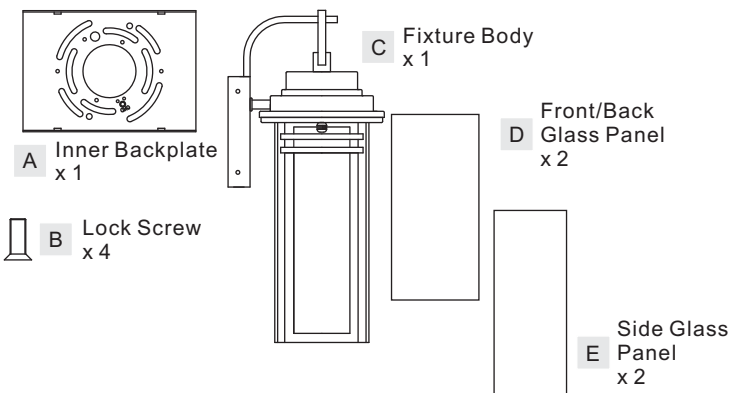
**Preparation:** Identify and inspect all parts before beginning installation. Check package content list and diagrams below to be sure all parts are present. If any parts are missing or damaged, do not attempt to assemble, install, or operate the fixture. Contact customer service for replacement parts.

## ⚠ Warnings and Cautions

Turn off electricity at circuit breaker or main fuse box before installation. Consult a licensed electrician if in doubt.

These instructions are provided for your safety. It is very important you read them completely before installing the fixture. We strongly recommend that a licensed, professional electrician perform the installation.

## Package Contents



## (Step 2 Continued)

C. Attach the Fixture Body (C) over the Inner Backplate (A) and secure with Lock Screws (B). Tighten until snug with screwdrivers.

## STEP 3 - Wire Connections

A. Use standard wire connectors (not included) to make all wire connections. Twist connectors until wires are tightly joined together. Wrap each connection with approved electrical tape and carefully stuff all the connected wires into the Outlet Box.

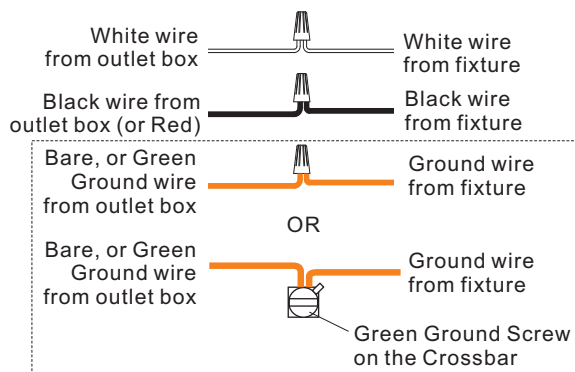


Figure 3

## STEP 1 - Install Glass

- Unlock the Mounting Ball, remove the Cage from the Fixture Body (C).
- Insert Glass Panels (D/E) into slots in the bottom edge of the Cage. Fold Tabs on the top edge of the Cage to secure Glass Panels.
- Attach the Cage with Glass Panels back onto fixture hood and secure by threading the Mounting Ball onto the Bolts. Hand tighten until snug.

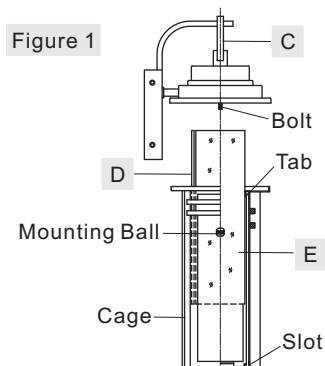


Figure 1

## STEP 2 - Install Inner Backplate and Fixture Body

- Pass the supply wires with Ground Wire through Inner Backplate (A). Attach Inner Backplate (A) to Outlet Box with the head of Green Ground Screw facing you. Secure it with Outlet Box Screws (Not included). Tighten until snug with screwdrivers.
- Refer to Step 3 for wiring connections.

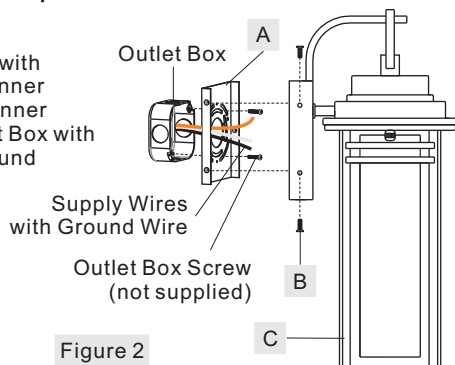


Figure 2

## STEP 4 - Apply Silicone Sealer

A. Make sure exterior wall surface and fixture backplate are free of dirt before applying caulk. Using exterior grade caulk, caulk over top of backplate and down other side. Do not caulk bottom of fixture backplate to ensure proper moisture drainage.

Your fixture is now assembled and ready to use. Enjoy!

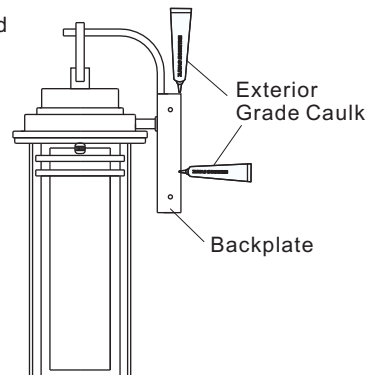
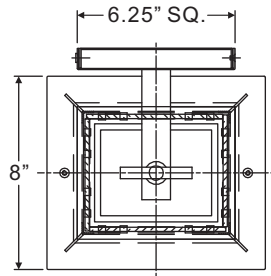
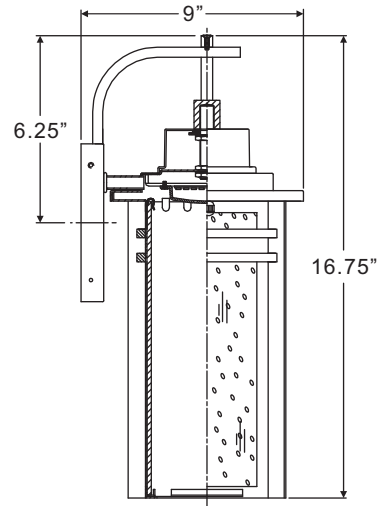
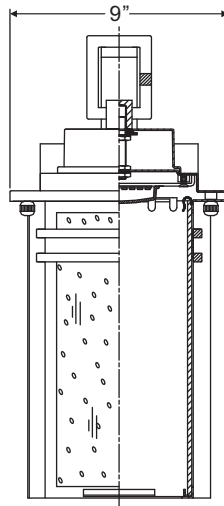
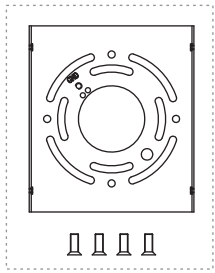


Figure 4

**Thank you for purchasing a Quozel product.**  
**Need assistance with parts or assembly? Call Quozel customer service at 1-800-645-3184**  
**or visit us on-line at [www. quozel. com](http://www. quozel. com)**

BEC8409SBK

FINISH: STONE BLACK



NOTE: ALL DIMENSIONS ARE ROUNDED UP TO THE NEAREST 1/4"

Thank you for purchasing a Quoizel product.  
Need assistance with parts or assembly? Call Quoizel customer service at 1-800-645-3184  
or visit us on-line at [www.quoizel.com](http://www.quoizel.com)