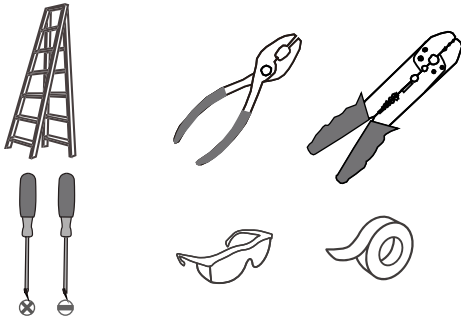
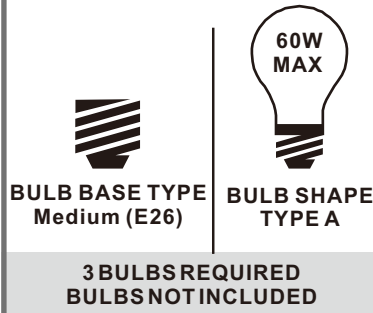


Tools Required



Light Source



Warnings and Cautions

Turn off the electricity at the circuit breaker before installation. Consult a licensed electrician if in doubt about installation.

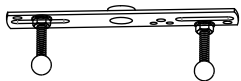
Turn off power to the fixture and allow the bulbs to cool before replacing.

Package Contents

Preparation: Identify and inspect all parts before beginning the installation.

Missing or damaged parts? Contact your original place of purchase.

PARTS BAG



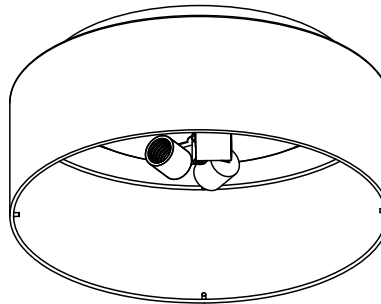
A Crossbar Assembly
x 1



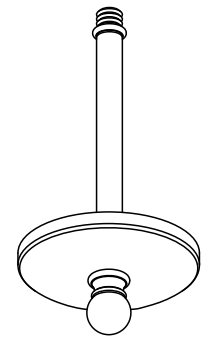
B Outlet Box Screw
x 2



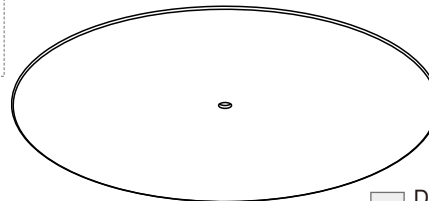
C Wire Connector
x 3



D Fixture Body
x 1



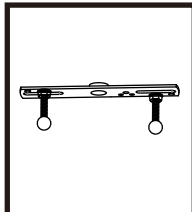
E Stem Assembly
x 1



F Diffuser
x 1

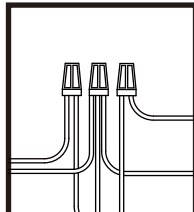
Table of Contents

Crossbar Assembly



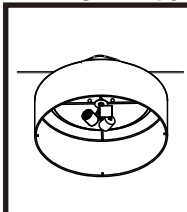
STEP 1

Wiring



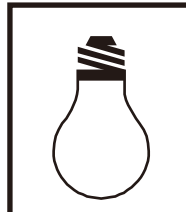
STEP 2

Ceiling Canopy



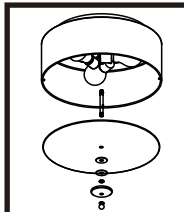
STEP 3

Bulb



STEP 4

Diffuser

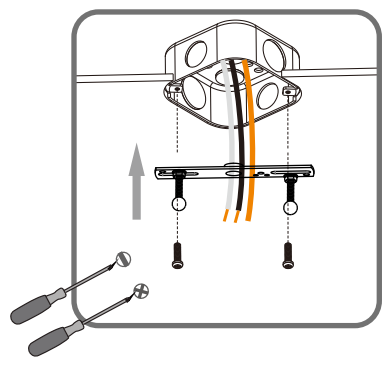


STEP 5

STEP 1

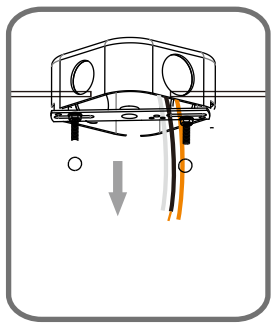
1

Step 1
Install crossbar assembly

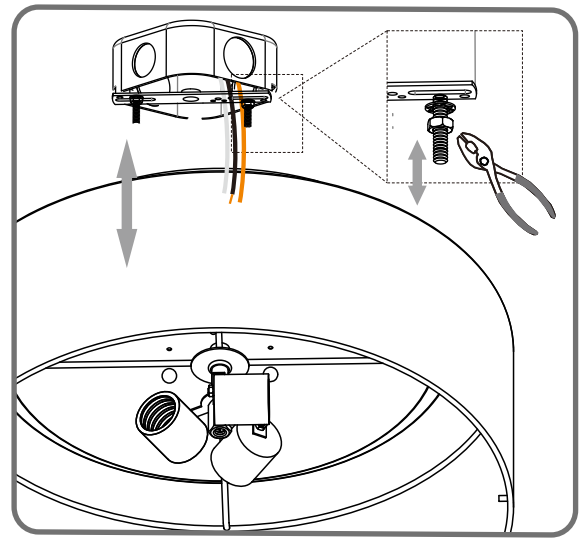


2

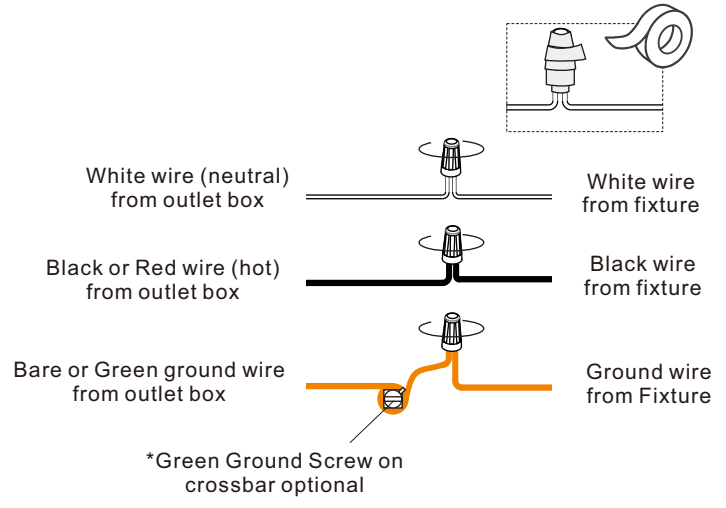
Step 2 - 3
Test fitting ceiling canopy to mounting screws



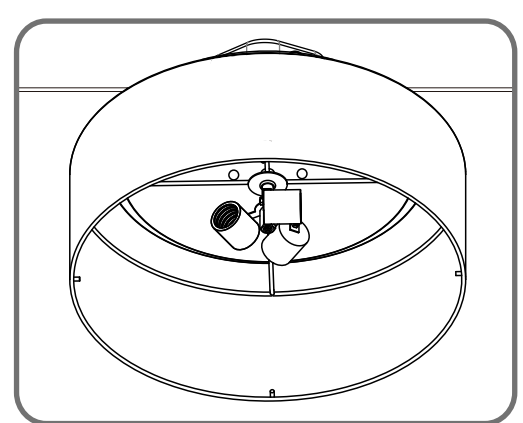
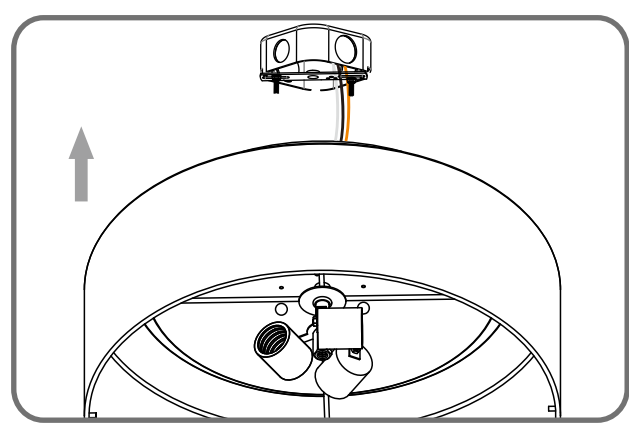
3



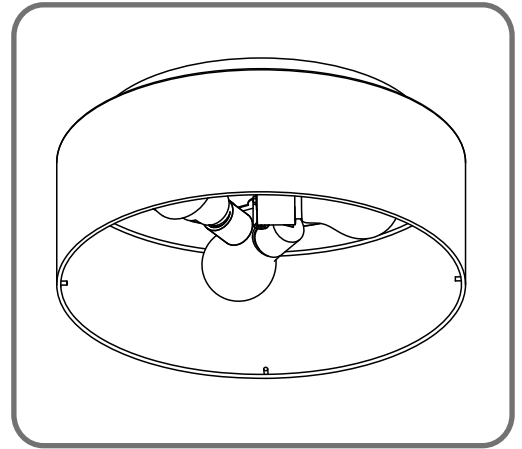
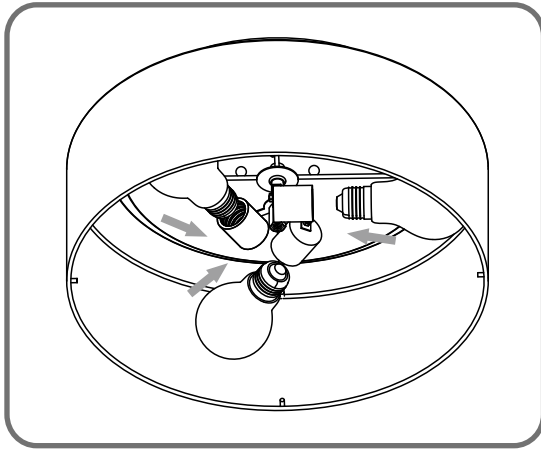
STEP 2



STEP 3



STEP 4



STEP 5

