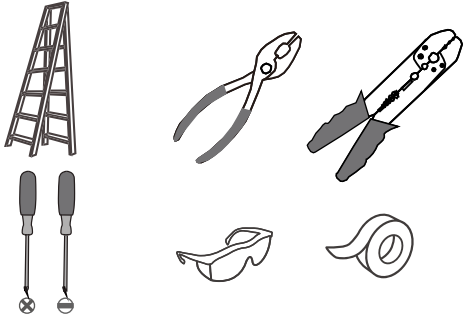
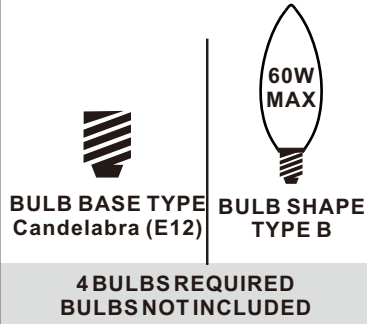


Tools Required



Light Source



**Fixture Height Adjustable
17.5" to 53.5"**

⚠ Warnings and Cautions

Turn off the electricity at the circuit breaker before installation. Consult a licensed electrician if in doubt about installation.

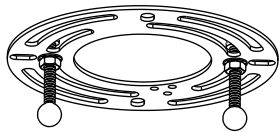
Turn off power to the fixture and allow the bulbs to cool before replacing.

Package Contents

Preparation: Identify and inspect all parts before beginning the installation.

Missing or damaged parts? Contact your original place of purchase.

PARTS BAG



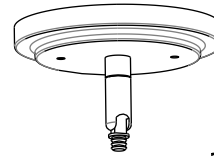
A Crossbar Assembly
x 1



B Outlet Box Screw
x 2



C Wire Connector
x 3

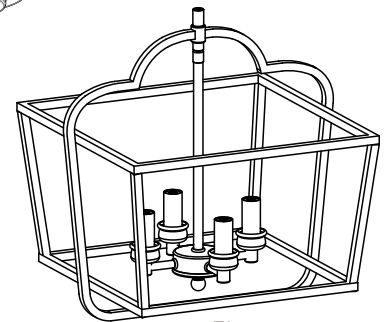


D Ceiling Canopy
x 1



E 6" L Rod
x 2

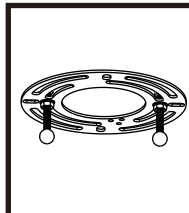
F 12" L Rod
x 2



G Fixture Body
x 1

Table of Contents

Crossbar Assembly



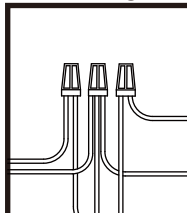
STEP 1

Downrod



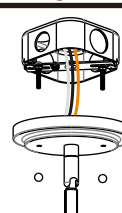
STEP 2

Wiring



STEP 3

Ceiling Canopy



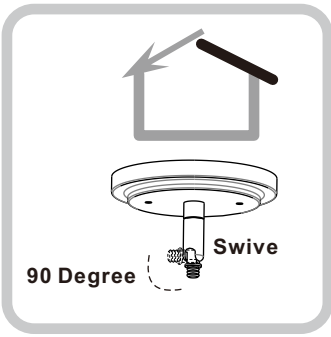
STEP 4

Bulb



STEP 5

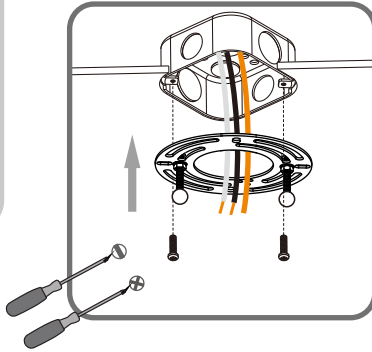
STEP 1



For angled ceilings,
Swivel opening towards wall.

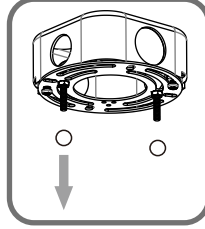
1

Step 1
Install crossbar assembly

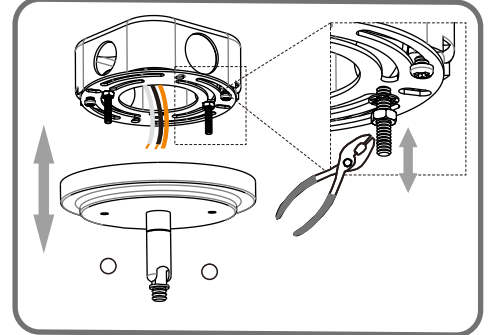


2

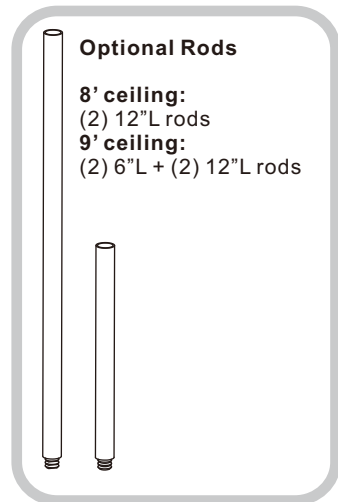
Step 2 - 3
Test fitting ceiling canopy to
mounting screws



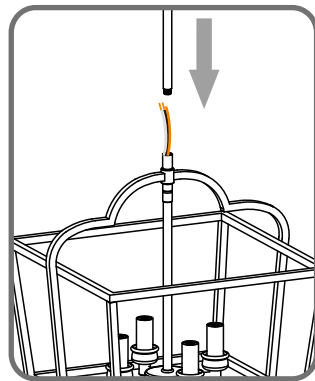
3



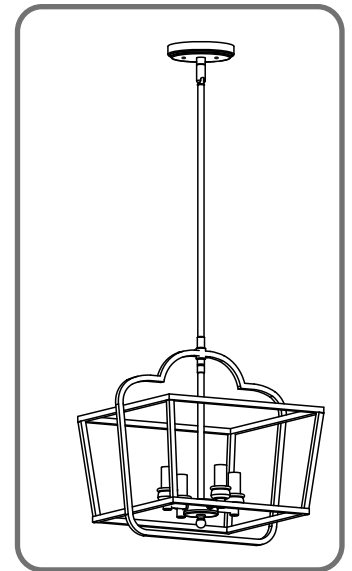
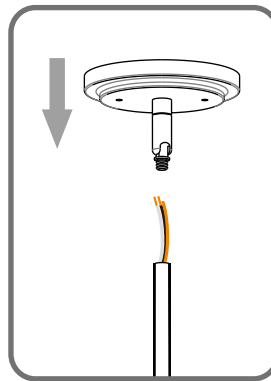
STEP 2



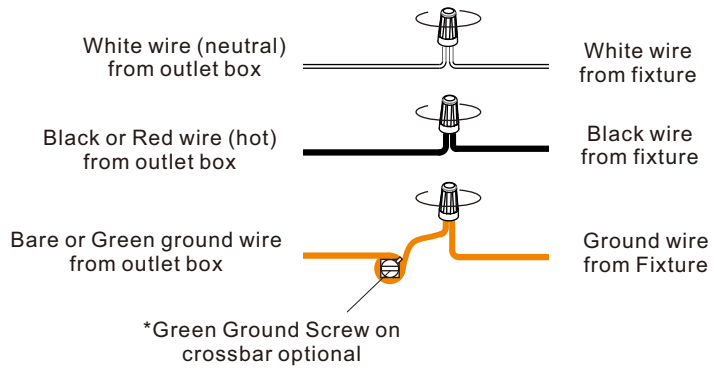
1



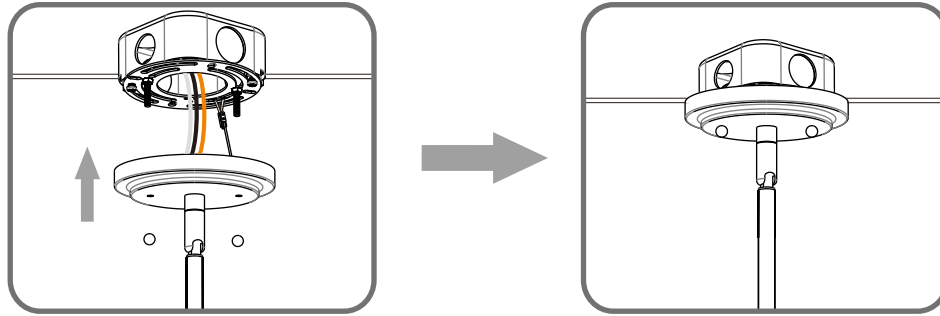
2



STEP 3



STEP 4



STEP 5

