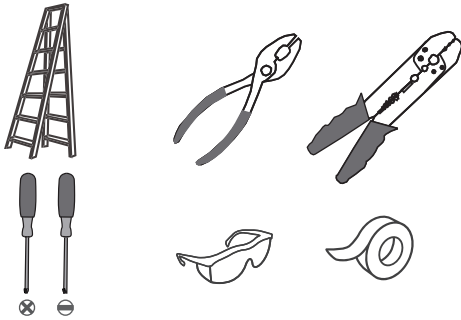
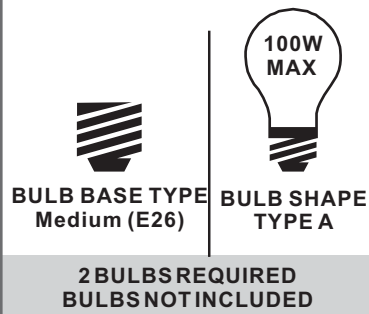


Tools Required



Light Source



Warnings and Cautions

Turn off the electricity at the circuit breaker before installation. Consult a licensed electrician if in doubt about installation.

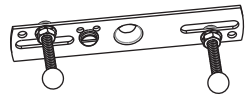
Turn off power to the fixture and allow the bulbs to cool before replacing.

Package Contents

Preparation: Identify and inspect all parts before beginning the installation.

Missing or damaged parts? Contact your original place of purchase.

PARTS BAG



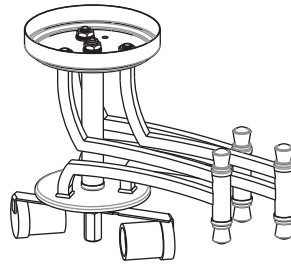
A Crossbar Assembly x 1



B Outlet Box Screw x 2



C Wire Connector x 3



D Fixture Body x 1



E Stem with Hex Nut x 1



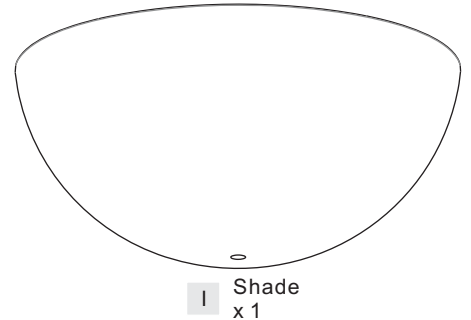
F Hex Nut x 2



G Flat Washer x 2



H Rubber Washer x 2



I Shade x 1



J Cap x 1

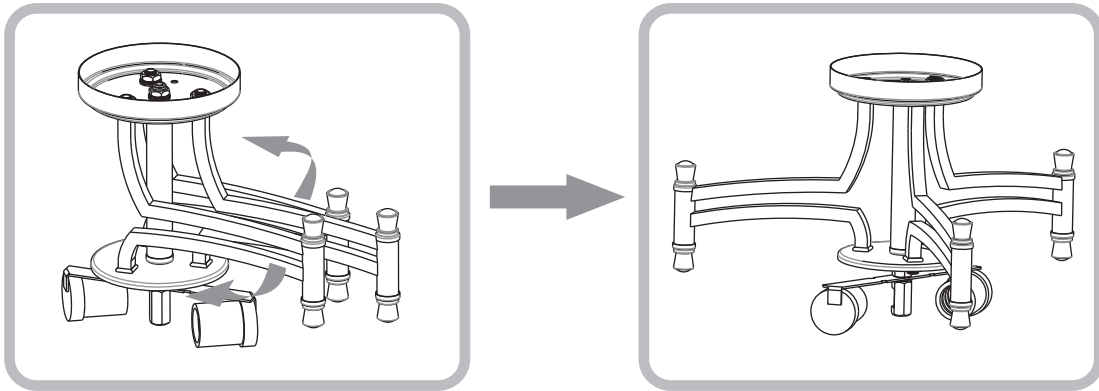


K Finial x 1

Table of Contents

Unfold Arms	Crossbar Assembly	Wiring	Fixture Body	Stem & Hex Nut	Shade & Cap	Bulbs
STEP 1	STEP 2	STEP 3	STEP 4	STEP 5	STEP 6	STEP 7

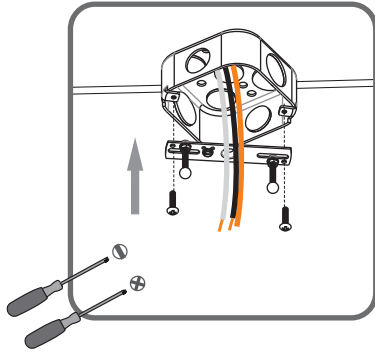
STEP 1



STEP 2

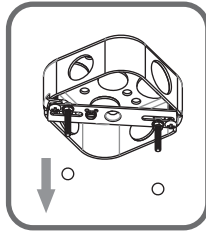
1

Step 1
Install crossbar assembly

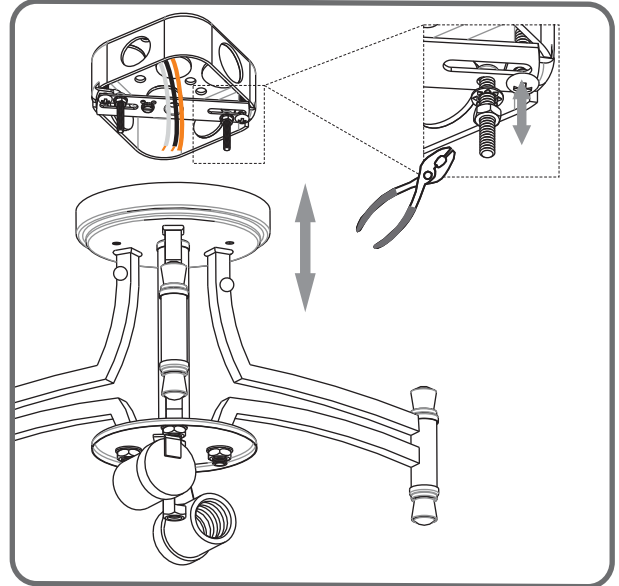


2

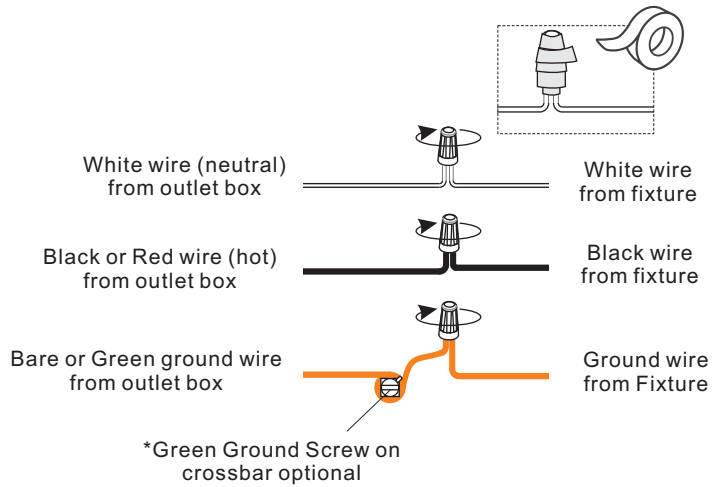
Step 2 - 3
Test fitting ceiling canopy to
mounting screws



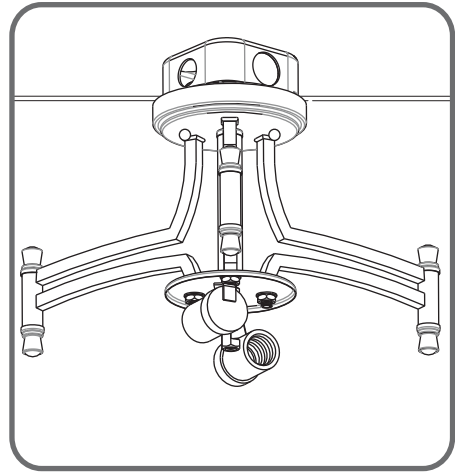
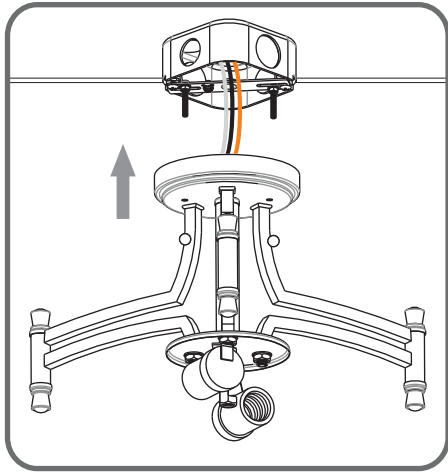
3



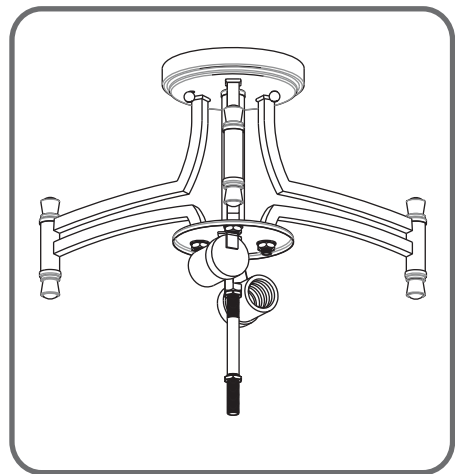
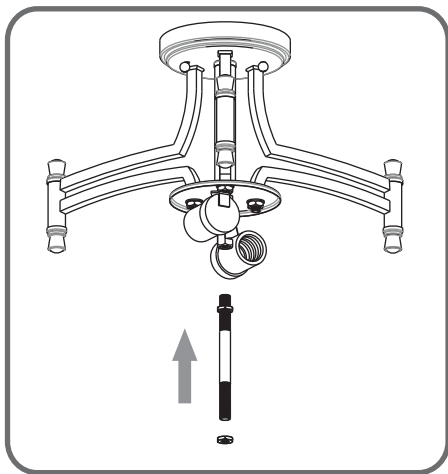
STEP 3



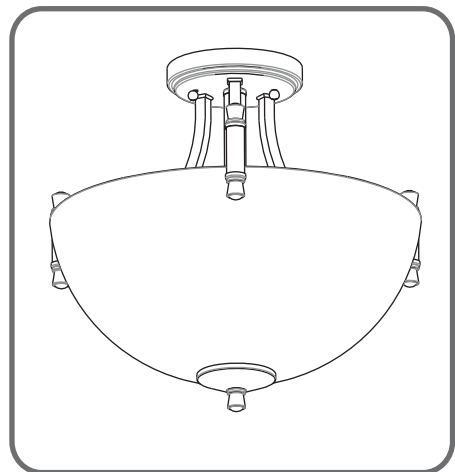
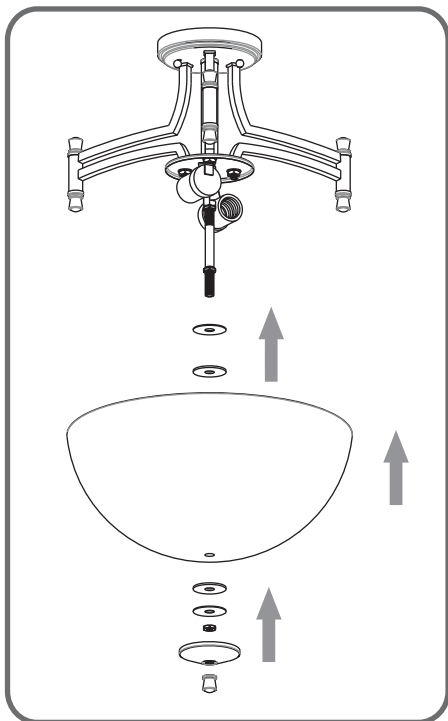
STEP 4



STEP 5



STEP 6



STEP 7

