

SAFETY INFORMATION

Please read and understand this entire manual before attempting to assemble, install or operate the product.

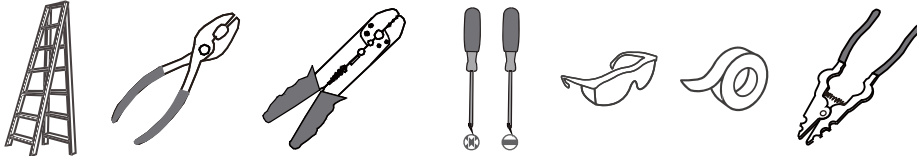
WARNING

- RISK OF ELECTRIC SHOCK - Before beginning installation, turn off electricity at the circuit breaker box or the main fuse box.
- RISK OF FIRE - Use bulbs specified by the markings and/or labels on the fixture.

CAUTION

- For your safety, read instructions completely before beginning installation.
- If in doubt about electrical installation, consult a licensed electrician.
- Turn off electricity to fixture before replacing the bulb(s).

TOOLS REQUIRED

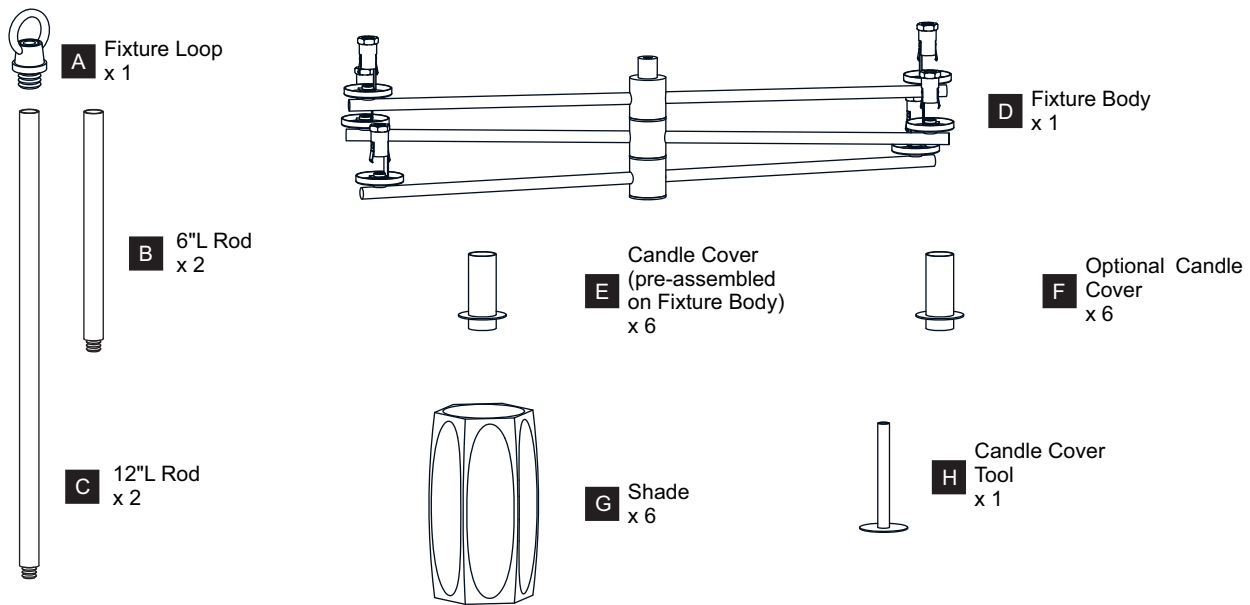


CARE AND MAINTENANCE

- Wipe clean using soft, dry cloth or static duster. Always avoid using harsh chemicals and abrasives to clean fixture as they may damage the finish.

If you need further assistance call Quoizel Customer Care at 1-800-645-3184 (9:00am - 5:00pm EST), or visit us on-line at www.quoizel.com.

PACKAGE CONTENTS

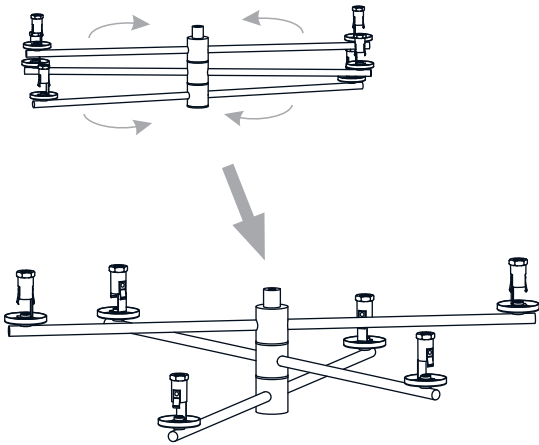


MOUNTING HARDWARE



INSTALLATION

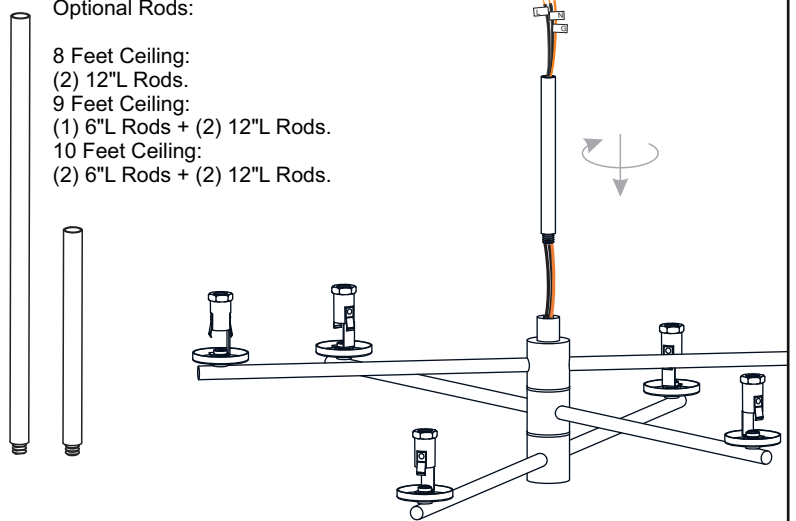
1 Unfold Side Arms



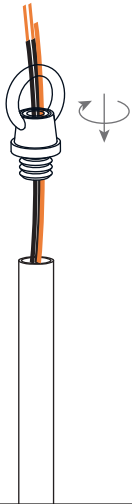
2 Install Rods

Optional Rods:

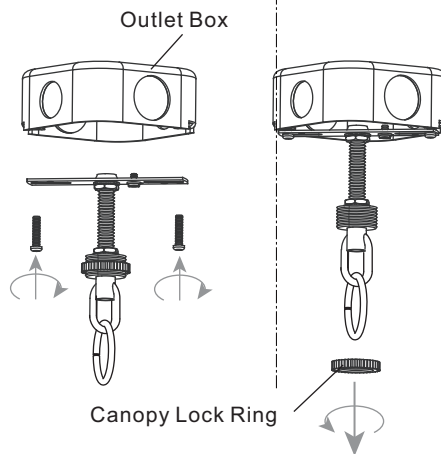
- 8 Feet Ceiling:
(2) 12"L Rods.
- 9 Feet Ceiling:
(1) 6"L Rods + (2) 12"L Rods.
- 10 Feet Ceiling:
(2) 6"L Rods + (2) 12"L Rods.



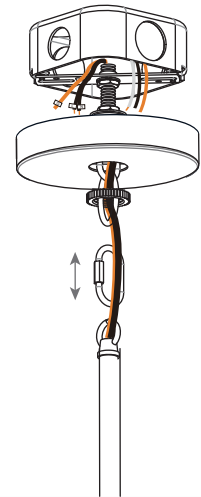
3 Install Fixture Loop



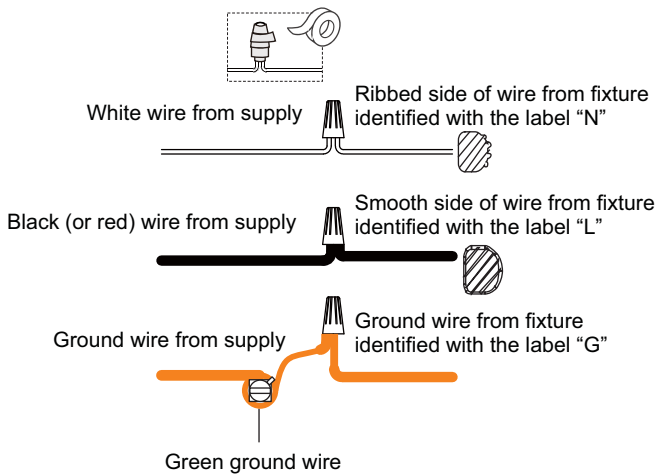
4 Install Crossbar Assembly



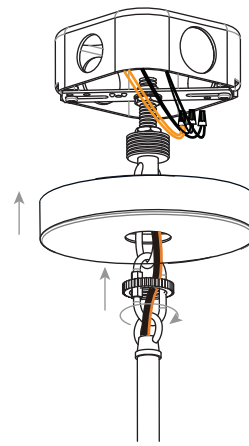
5 Install Quick Link and pull Supply Wires



6 Wiring



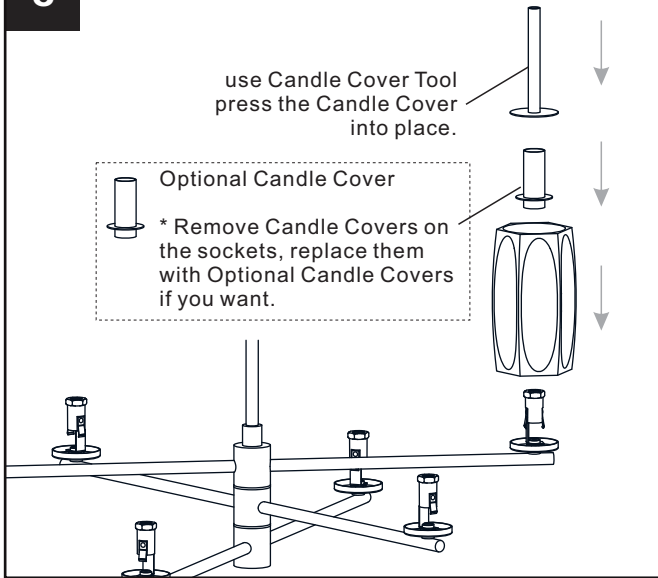
7 Install Ceiling Canopy



* Ceiling Canopy shape is varies depends on item purchased.

INSTALLATION

8 Install Shades

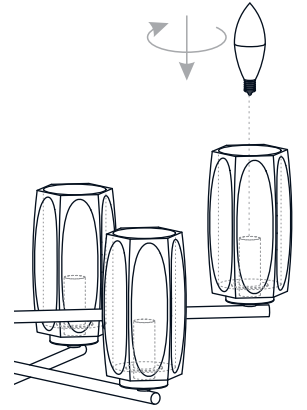


9 Install Bulbs

Install six correct bulbs referring to
fixture markings and/or labels for
maximum wattage.

**Recommended Bulb Type
(not included):**

	
BULB BASE TYPE Candelabra (E12)	BULB SHAPE TYPE B



Your installation is now complete! Restore electricity and save this sheet for future reference.