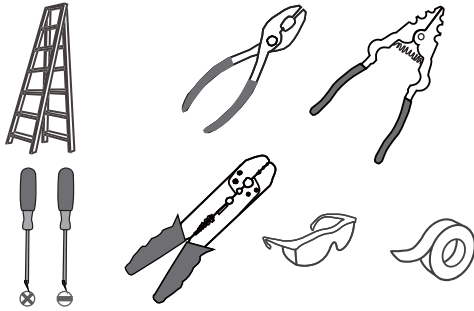
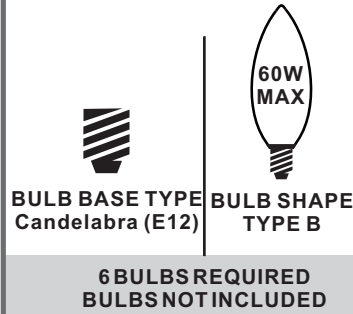


**Tools Required**



**Light Source**



**Fixture Height Adjustable  
33" to 129"**

**Warnings and Cautions**

Turn off the electricity at the circuit breaker before installation. Consult a licensed electrician if in doubt about installation.

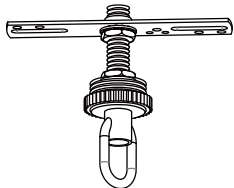
Turn off power to the fixture and allow the bulbs to cool before replacing.

**Package Contents**

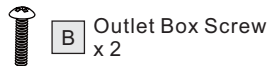
**Preparation:** Identify and inspect all parts before beginning the installation.

Missing or damaged parts? Contact your original place of purchase.

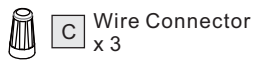
**PARTS BAG**



**A** Crossbar Assembly x 1



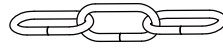
**B** Outlet Box Screw x 2



**C** Wire Connector x 3



**D** Quick Link x 2

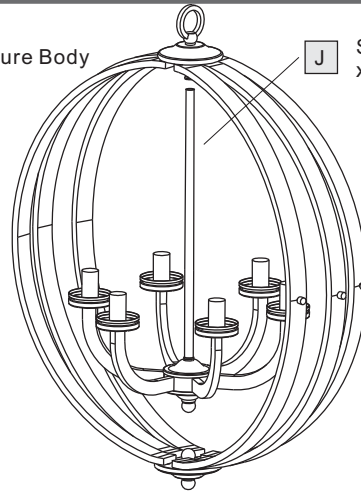


**E** Fixture Chain x 1



**F** Ceiling Canopy x 1

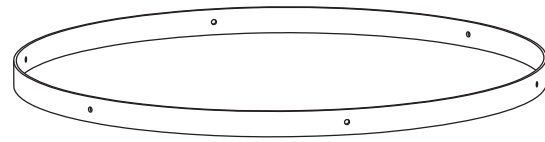
**G** Fixture Body x 1



**J** Socket Assembly x 1



**H** Shade x 6

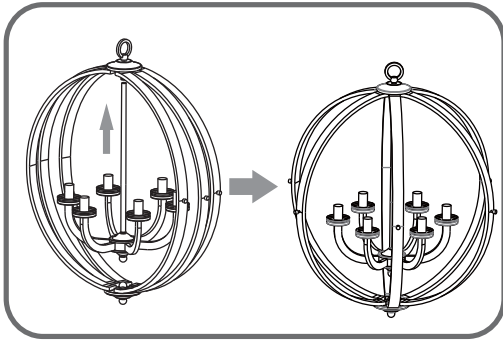


**I** Ring x 1

**Table of Contents**

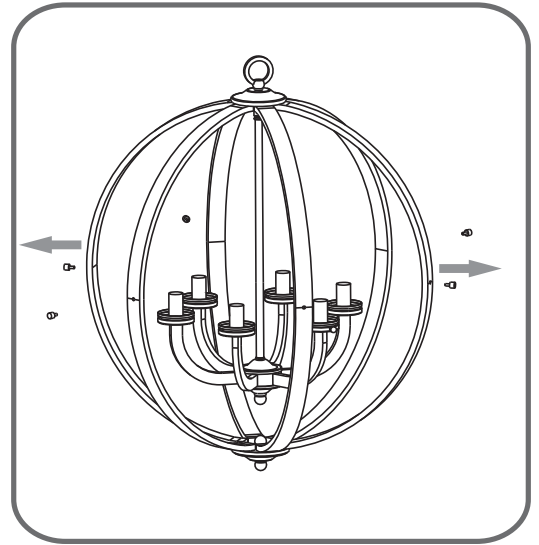
Fixture Body	Crossbar Assembly	Fixture Chain	Wiring	Ceiling Canopy	Bulb
<b>STEP 1</b>	<b>STEP 2</b>	<b>STEP 3</b>	<b>STEP 4</b>	<b>STEP 5</b>	<b>STEP 6</b>

**STEP 1**

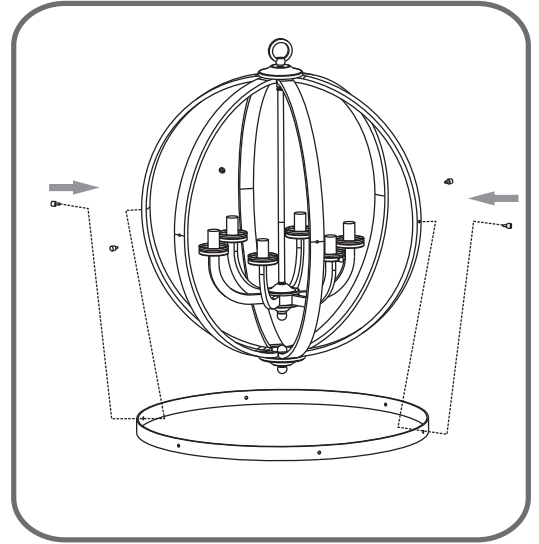


1

2



3



**STEP 2**

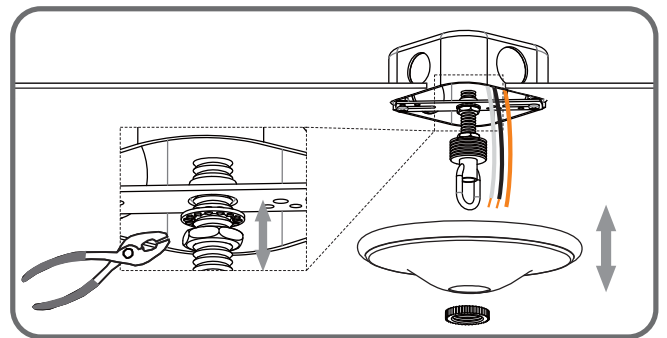
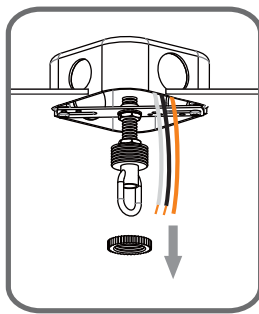
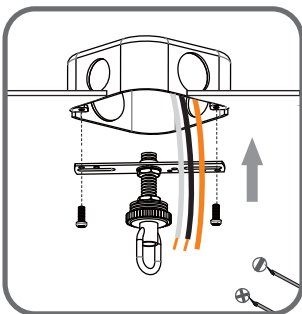
1

2

3

**Step 1**  
Install crossbar assembly

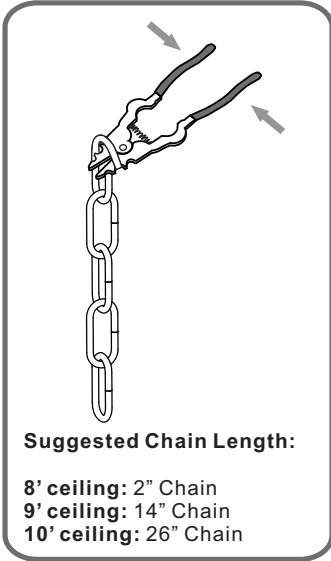
**Step 2 - 3**  
Test fitting ceiling canopy to nipple



### STEP 3

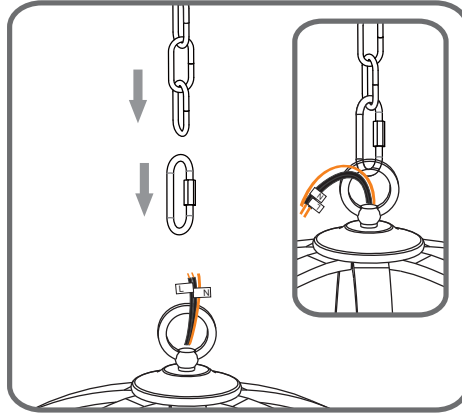
1

**Step 1**  
Adjust fixture chain length

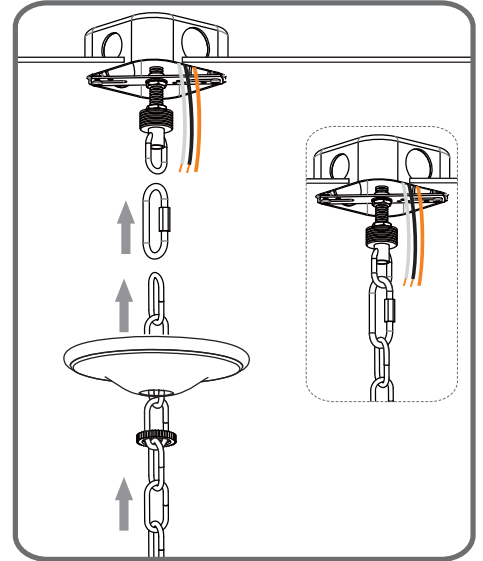


2

**Step 2 - 3**  
Install Fixture Chain



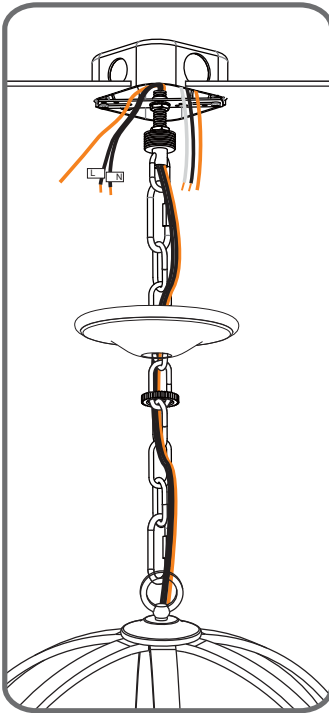
3



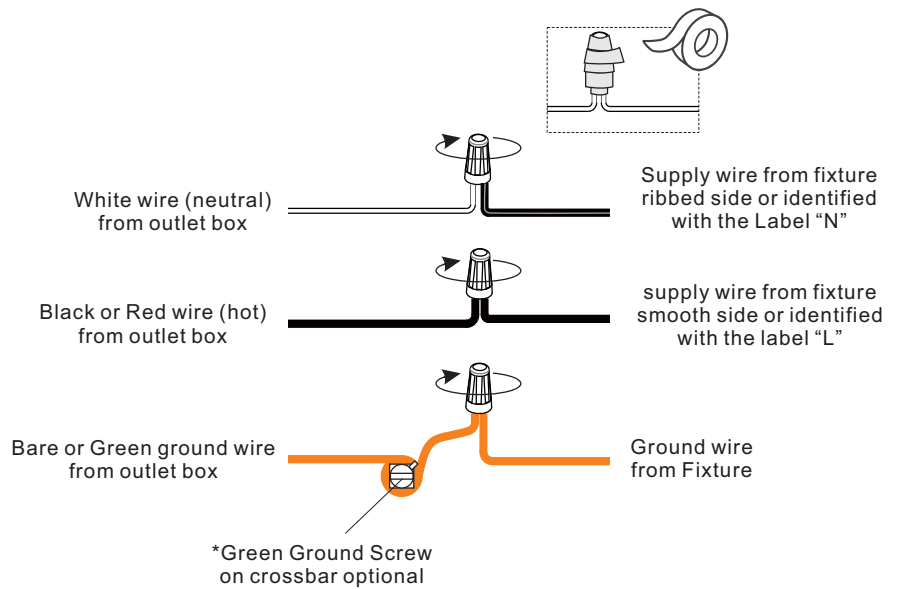
### STEP 4

1

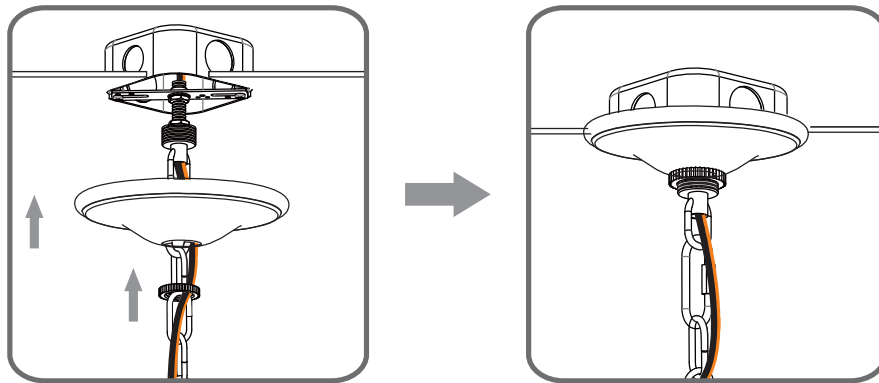
**Step 1**  
Feed the fixture wires through the loop



2



**STEP 5**



**STEP 6**

