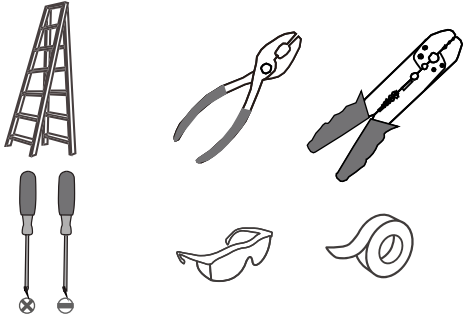
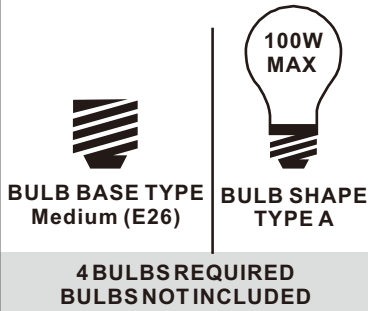


**Tools Required**



**Light Source**



**Fixture Height Adjustable**  
**12" to 48.25"**

**Warnings and Cautions**

Turn off the electricity at the circuit breaker before installation. Consult a licensed electrician if in doubt about installation.

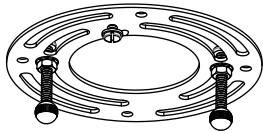
Turn off power to the fixture and allow the bulbs to cool before replacing.

**Package Contents**

**Preparation:** Identify and inspect all parts before beginning the installation.

Missing or damaged parts? Contact your original place of purchase.

**PARTS BAG**



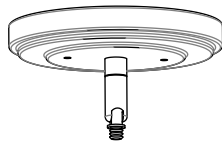
**A** Crossbar Assembly x 1



**B** Outlet Box Screw x 2



**C** Wire Connector x 3

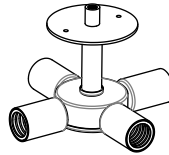


**D** Ceiling Canopy Assembly x 1

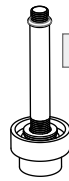


**E** 6" L Rod x 2

**F** 12" L Rod x 2



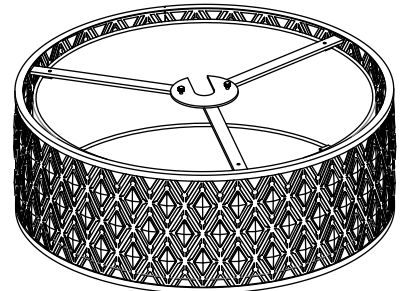
**G** Socket Assembly x 1



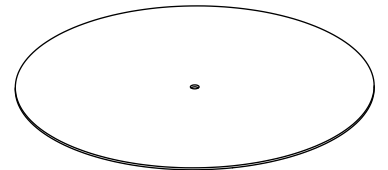
**I** Stem Assembly x 1



**K** Replacement Crystal Drop x 2



**H** Shade Assembly x 1



**J** Diffuser x 1

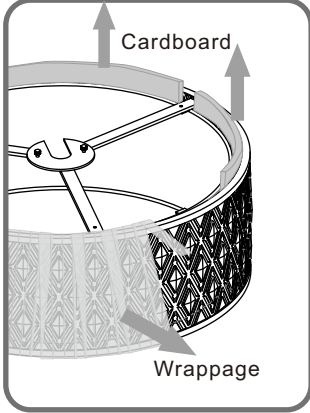
**Table of Contents**

Socket assembly	Crossbar Assembly	Ceiling Canopy Assembly & Downrod	Lanyard
<b>STEP 1</b>	<b>STEP 2</b>	<b>STEP 3</b>	<b>STEP 4</b>
<b>STEP 5</b>	<b>STEP 6</b>	<b>STEP 7</b>	<b>STEP 8</b>
<b>Wiring</b>	<b>Ceiling Canopy</b>	<b>Bulb</b>	<b>Diffuser</b>

**STEP 1**

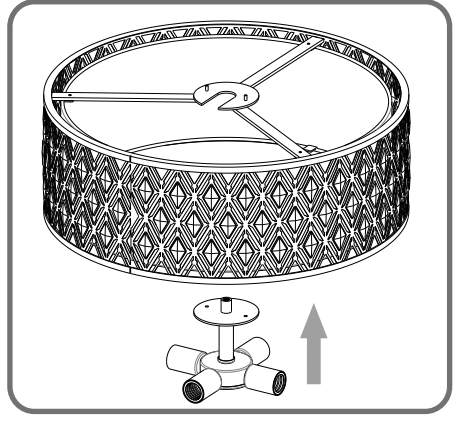
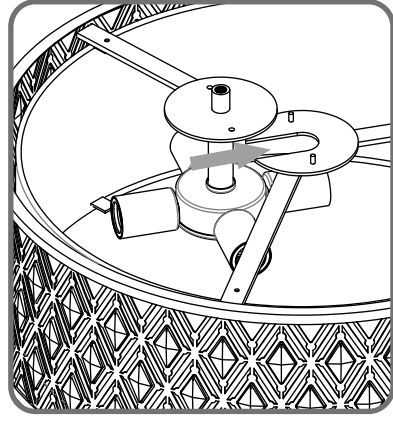
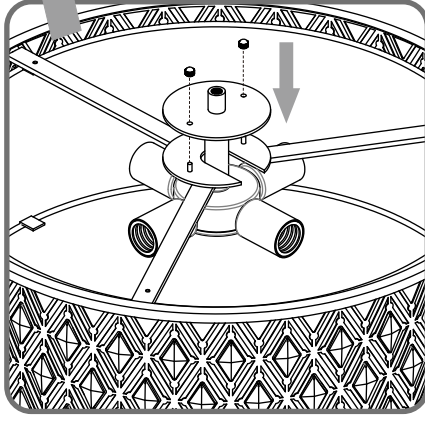
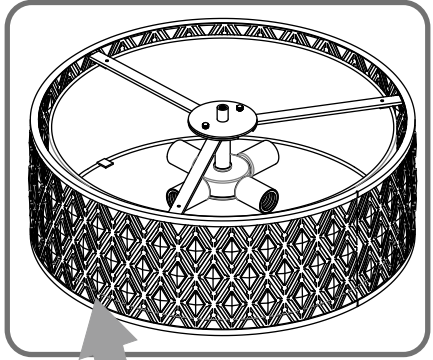
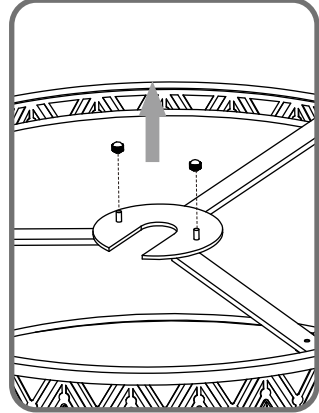
**1**

**Step 1**  
Remove cardboard and wrappage



**2**

**Step 2**  
Remove lock balls



**Step 3 - 5**  
Install socket assembly to shade assembly

**5**

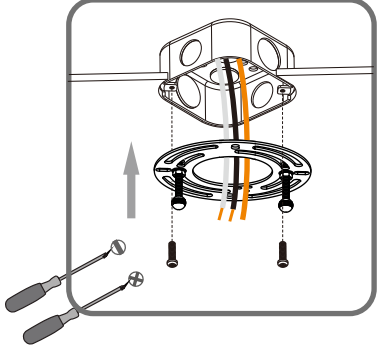
**4**

**3**

**STEP 2**

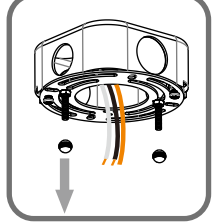
**1**

**Step 1**  
Install crossbar assembly

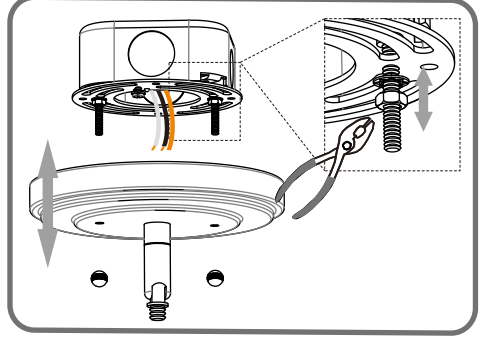


**2**

**Step 2 - 3**  
Test fitting ceiling canopy to mounting screws



**3**



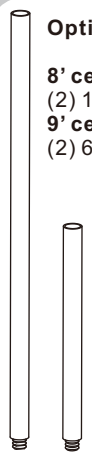
### STEP 3

## OPTION 1 Pendant — MCBQ2822K

**Optional Rods**

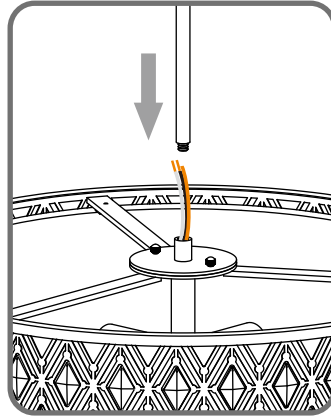
8' ceiling:  
(2) 12"L rods

9' ceiling:  
(2) 6"L + (2) 12"L rods



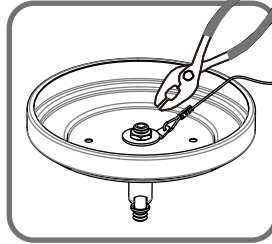
1

Install rods



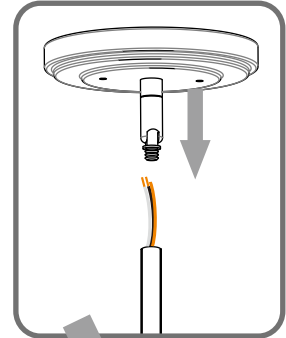
2

Tighten hex nut inside of the ceiling canopy



3

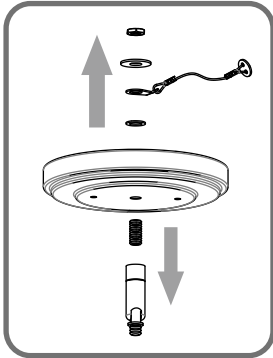
Install Ceiling Canopy



## OPTION 2 Semi-flush — MCBQ1722K

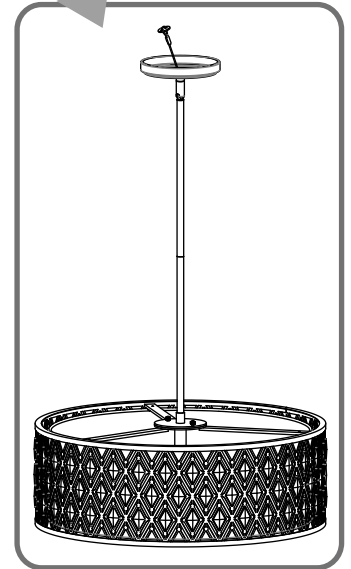
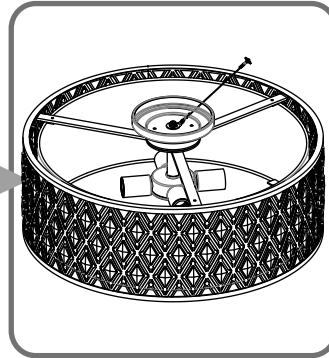
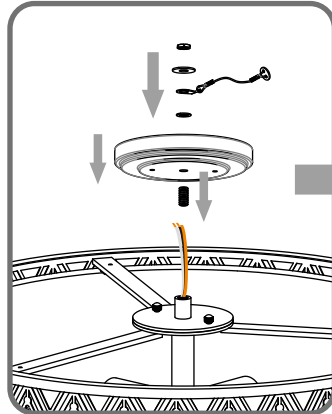
1

Remove swivel

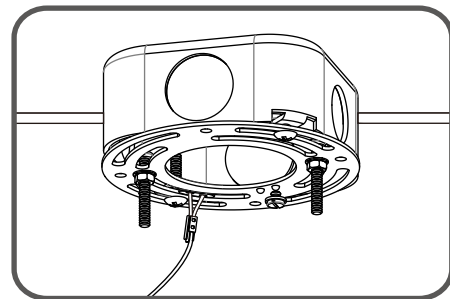
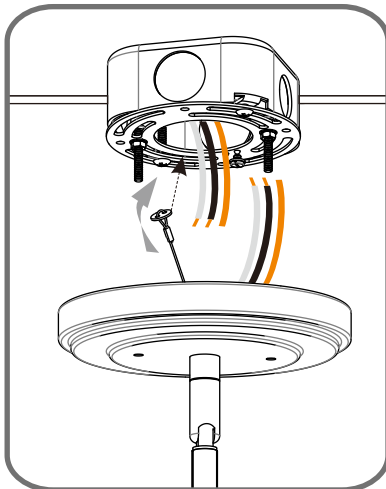


2

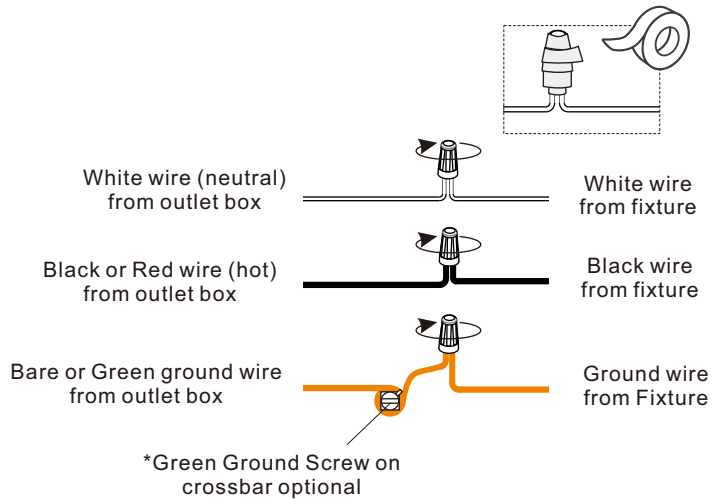
Install ceiling canopy



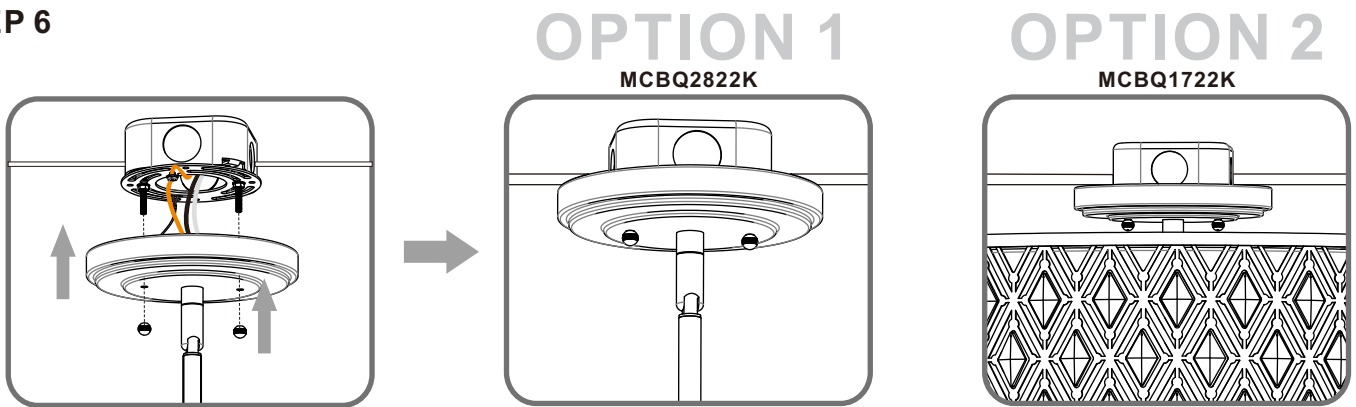
### STEP 4



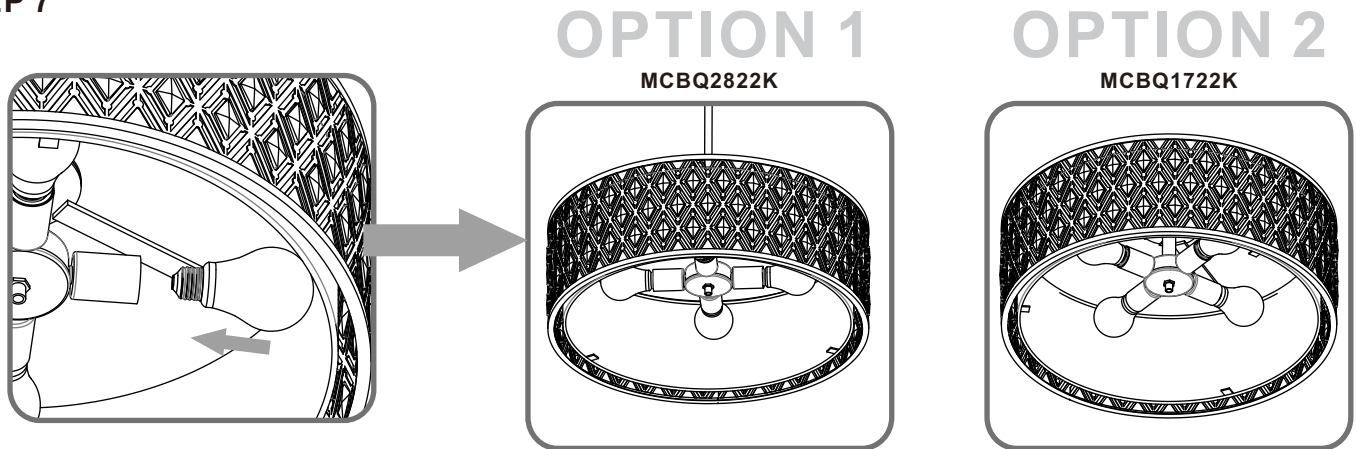
## STEP 5



## STEP 6



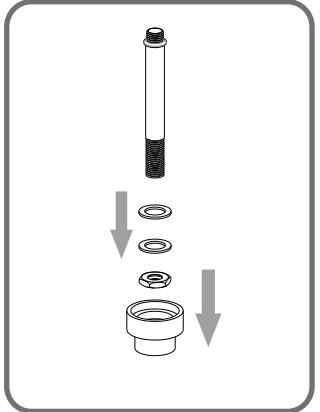
## STEP 7



**STEP 8**

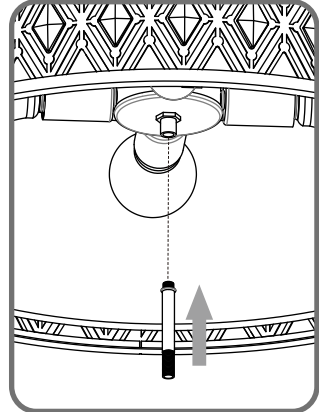
**1**

**Remove finial, hex nut and washers from stem**



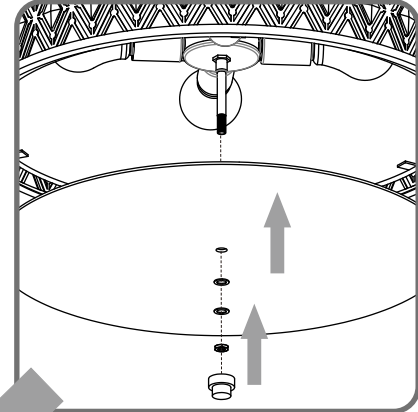
**2**

**Install stem**



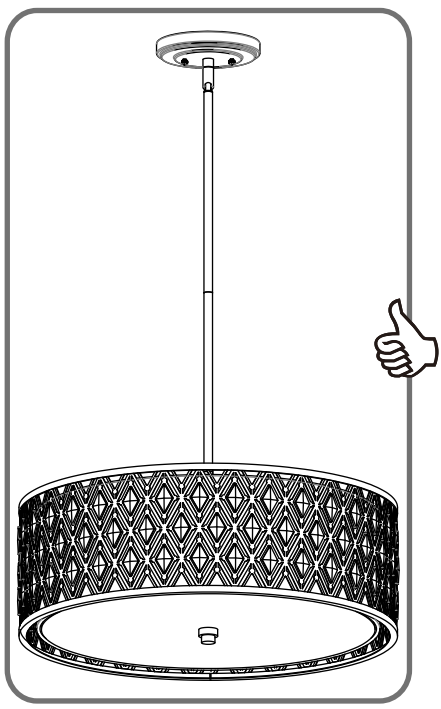
**3**

**Install diffuser and finial**



**OPTION 1**

**MCBQ2822K**



**OPTION 2**

**MCBQ1722K**

