

SAFETY INFORMATION

Please read and understand this entire manual before attempting to assemble, install or operate the product.

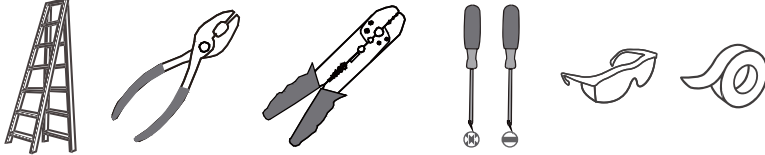
WARNING

- RISK OF ELECTRIC SHOCK - Before beginning installation, turn off electricity at the circuit breaker box or the main fuse box.
- RISK OF FIRE - Use bulbs specified by the markings and/or labels on the fixture.

CAUTION

- For your safety, read instructions completely before beginning installation.
- If in doubt about electrical installation, consult a licensed electrician.
- Turn off electricity to fixture and allow the bulbs to cool before replacing the bulb(s).
- Do not touch the bulb with bare hands use a cloth or glove.

TOOLS REQUIRED

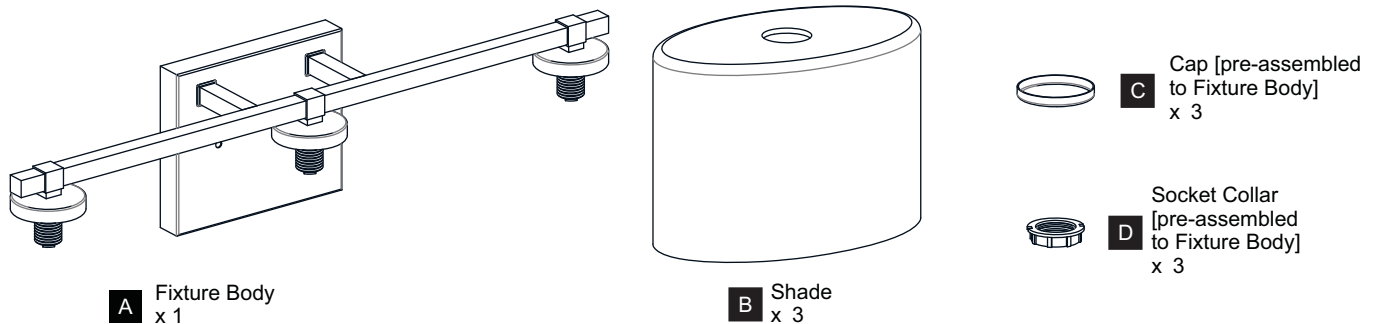


CARE AND MAINTENANCE

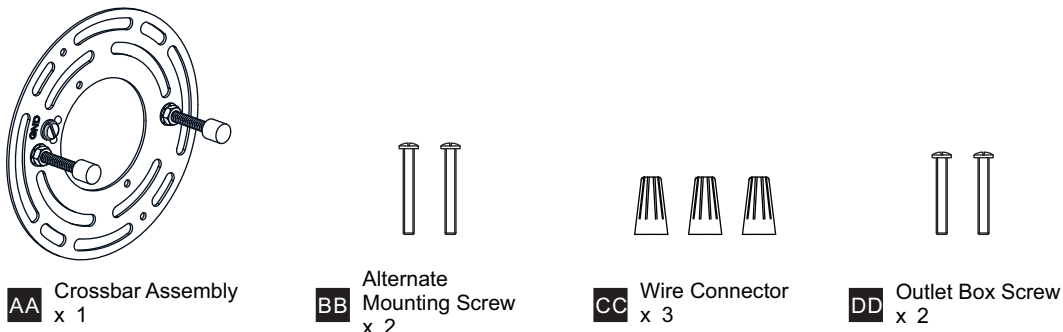
- Wipe clean using soft, dry cloth or static duster. Always avoid using harsh chemicals and abrasives to clean fixture as they may damage the finish.

If you need further assistance call Quozel Customer Care at 1-800-645-3184 (9:00am - 5:00pm EST), or visit us on-line at www.quezel.com.

PACKAGE CONTENTS

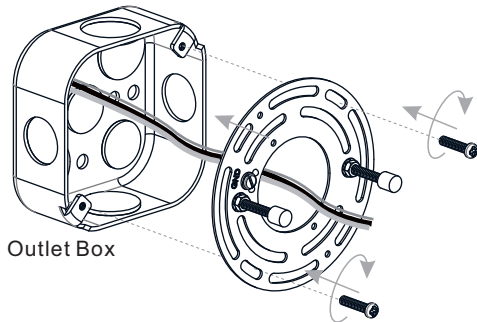


MOUNTING HARDWARE



INSTALLATION

1 Install Crossbar Assembly



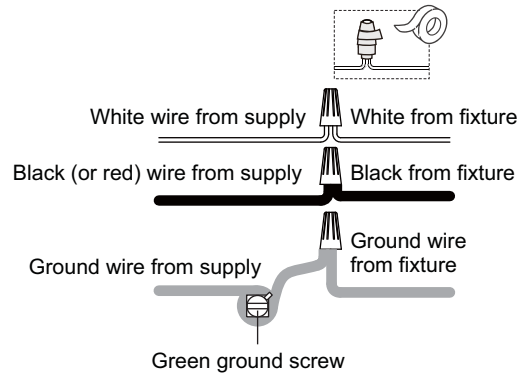
Outlet Box

(2) Alternative Screws

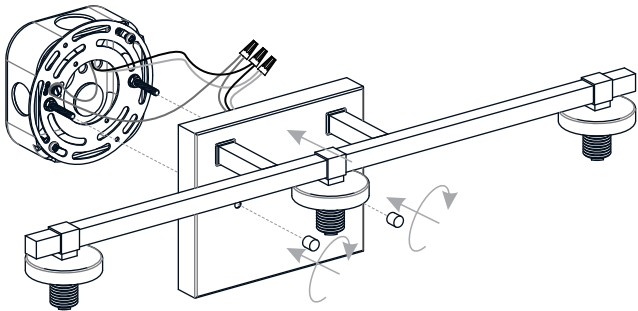


* Alternative screws are provided to replace pre-assembled mounting screws if necessary.

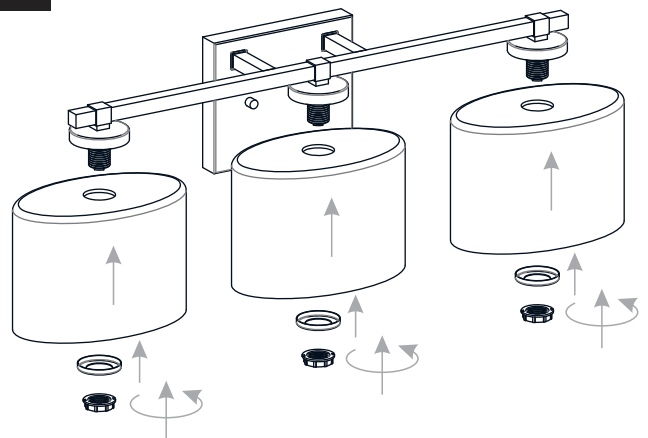
2 Wiring



3 Install Fixture Body




4 Install Shade



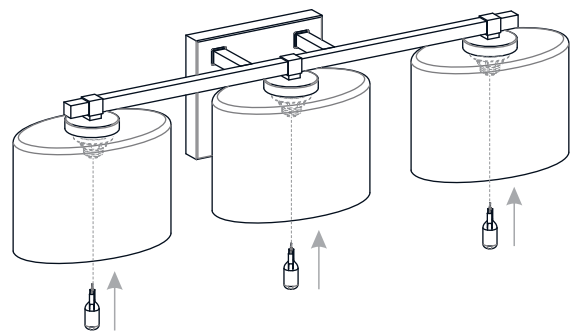
5 Install Bulbs

Install three correct bulbs referring to fixture markings and/or labels for maximum wattage.

Recommended Bulb Type (not included):

	40W MAX
BULB BASE TYPE G9 BASE	BULB TYPE TYPE G9 T4 XENON CLEAR

* Do not touch the bulb with bare hands use a cloth or glove.



Your installation is now complete! Restore electricity and save this sheet for future reference.