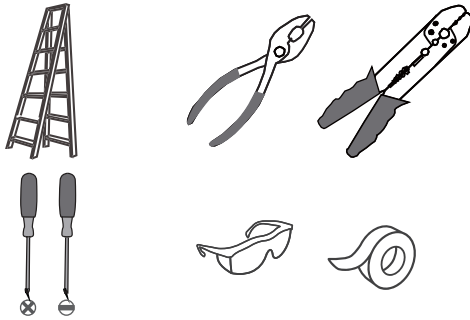
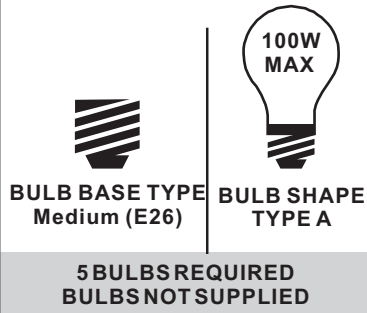


**Tools Required**



**Light Source**



**Fixture Height Adjustable  
16.75" to 46.75"**

**⚠ Warnings and Cautions**

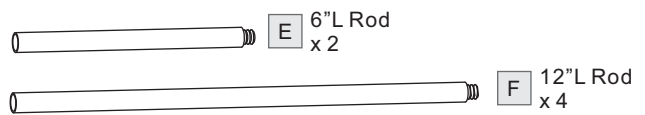
Turn off the electricity at the circuit breaker before installation. Consult a licensed electrician if in doubt about installation.

Turn off power to the fixture and allow the bulbs to cool before replacing.

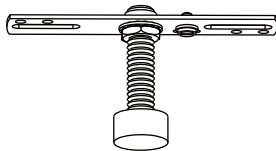
**Package Contents**

**Preparation:** Identify and inspect all parts before beginning the installation.

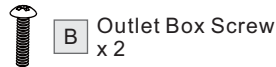
Missing or damaged parts? Contact your original place of purchase.



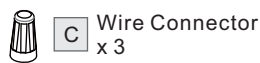
**PARTS BAG**



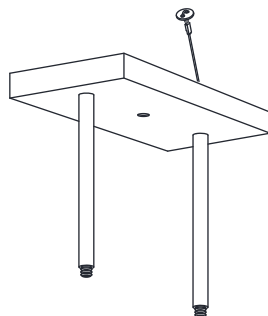
**A** Crossbar Assembly x 1



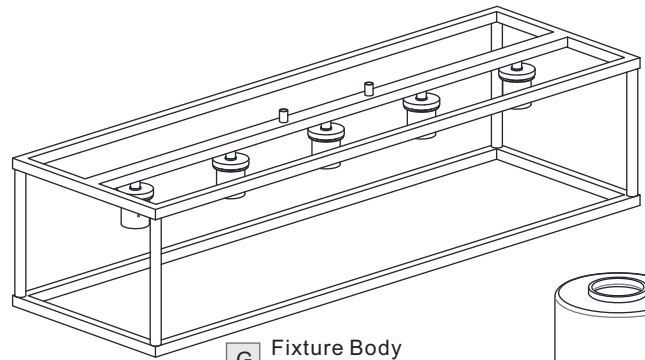
**B** Outlet Box Screw x 2



**C** Wire Connector x 3

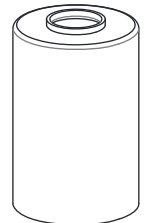


**D** Ceiling Canopy Assembly x 1



**G** Fixture Body x 1

Shade x 5 **H**



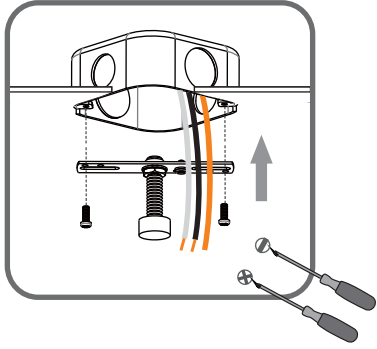
**Table of Contents**

Crossbar Assembly	Ceiling Canopy Assembly & Rods	Lanyard	Wiring	Ceiling Canopy	Shade	Bulb
<b>STEP 1</b>	<b>STEP 2</b>	<b>STEP 3</b>	<b>STEP 4</b>	<b>STEP 5</b>	<b>STEP 6</b>	<b>STEP 7</b>

**STEP 1**

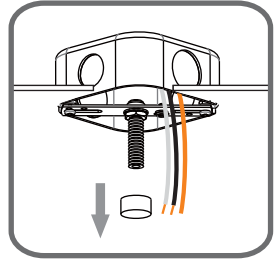
1

**Step 1**  
Install crossbar assembly

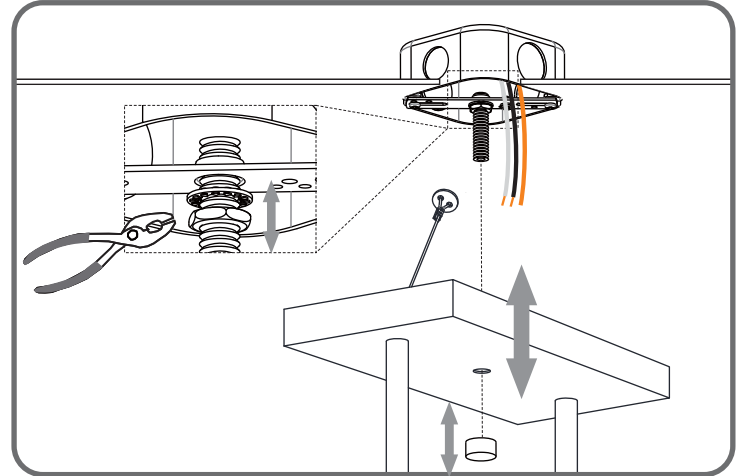


2

**Step 2 - 3**  
Test fitting ceiling canopy to nipple



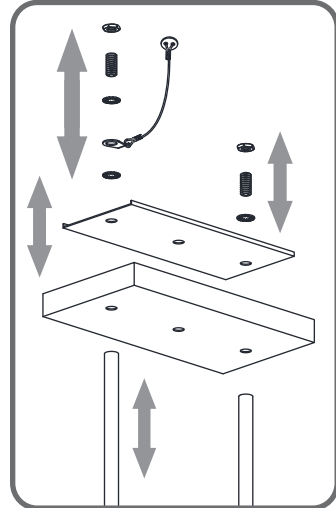
3



**STEP 2**

1

**Remove 6" L rod from ceiling canopy**

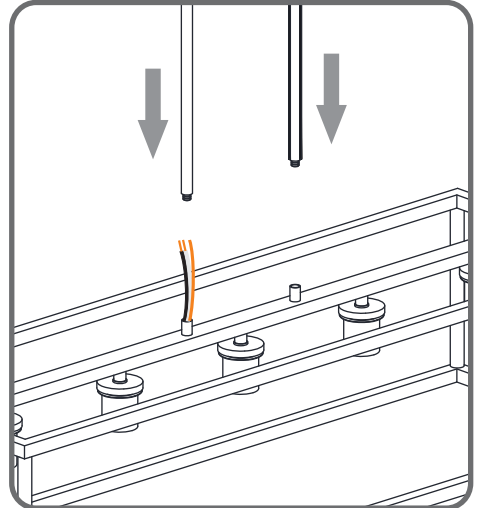


**Install ceiling canopy and lanyards back onto upper rod**

3

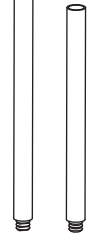
2

**Install rods to fixture body**

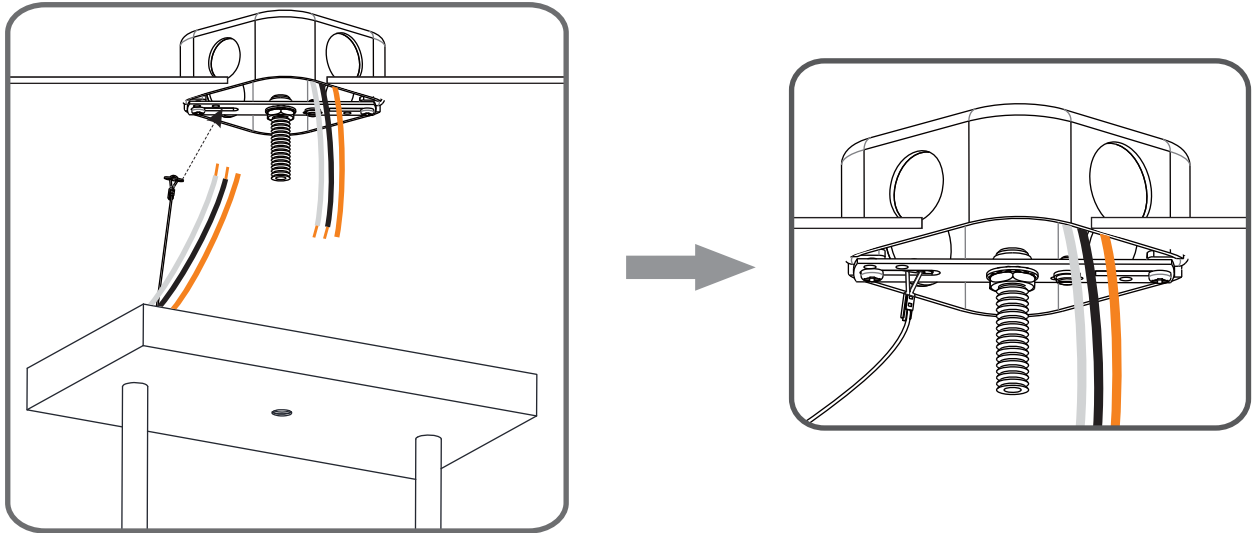


**Optional Rods**

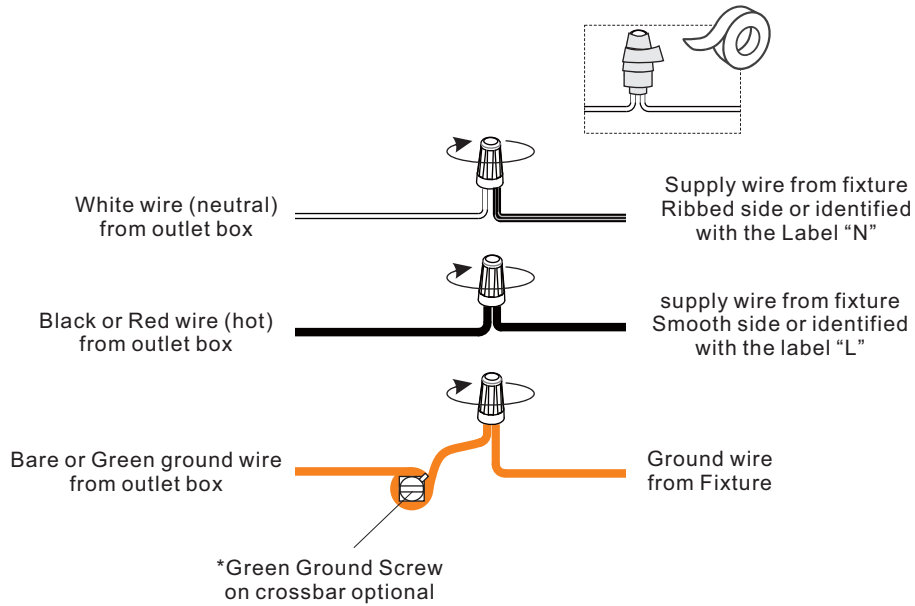
- 8' ceiling:**  
(2) 6" L + (2) 12" L rods
- 9' ceiling:**  
(2) 6" L + (4) 12" L rods
- 10' ceiling:**  
(4) 6" L + (4) 12" L rods



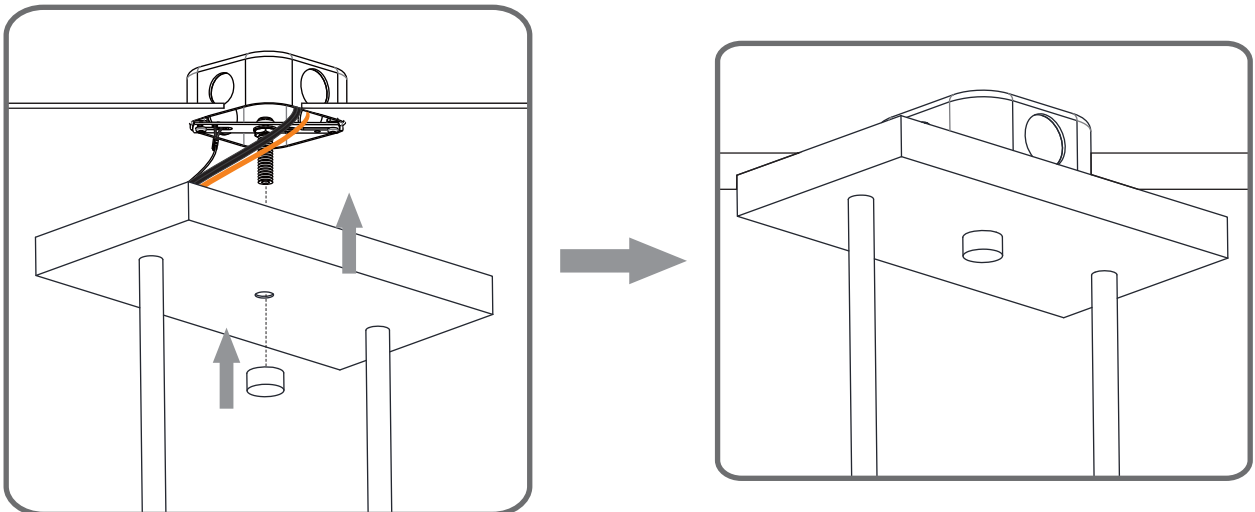
### STEP 3



### STEP 4



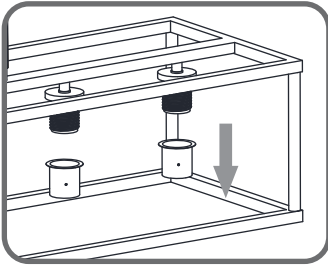
### STEP 5



**STEP 6**

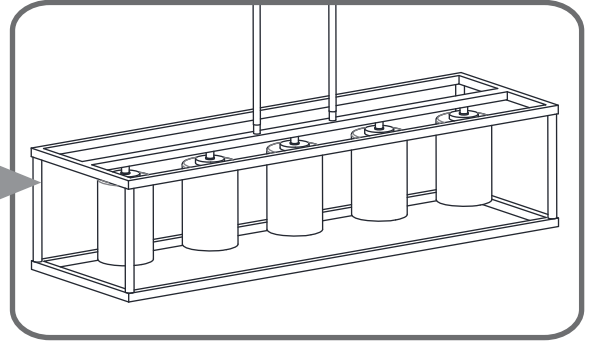
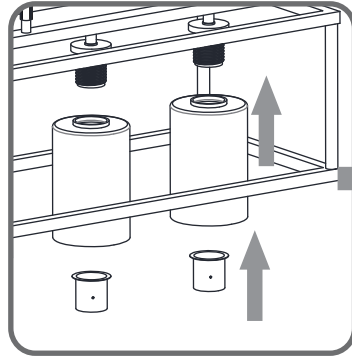
**1**

**Remove socket collar**



**2**

**Install shade**



**STEP 7**

