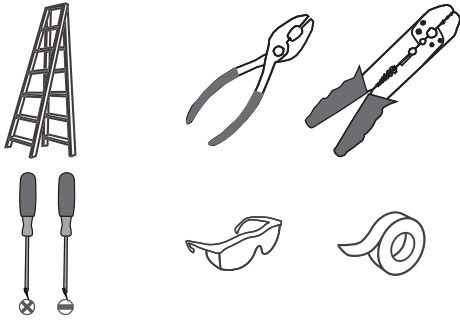
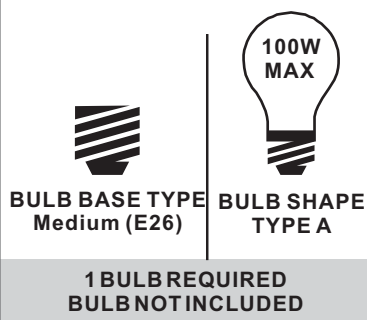


Tools Required



Light Source



Warnings and Cautions

Turn off the electricity at the circuit breaker before installation. Consult a licensed electrician if in doubt about installation.

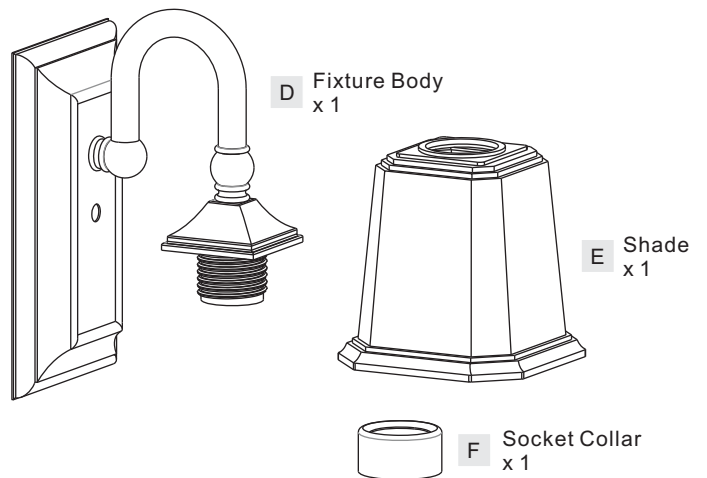
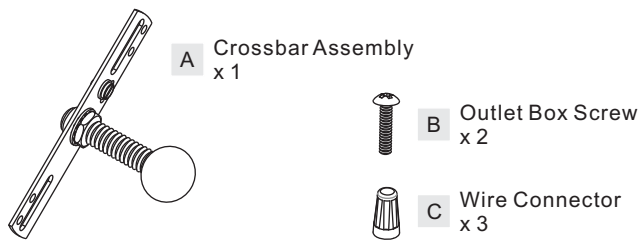
Turn off power to the fixture and allow the bulbs to cool before replacing.

Package Contents

Preparation: Identify and inspect all parts before beginning the installation.

Missing or damaged parts? Contact your original place of purchase.

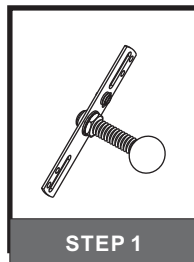
PARTS BAG



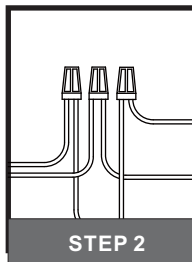
Note: Socket collar shape is for illustration purpose only. Your socket collar shape may vary from illustration.

Table of Contents

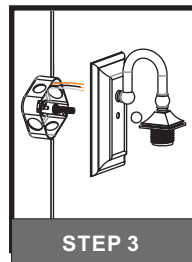
Crossbar Assembly



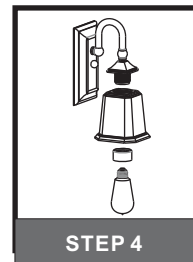
Wiring



Fixture Body



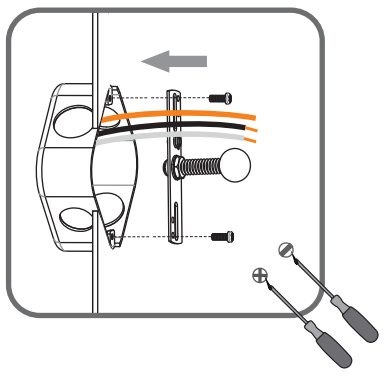
Shade & Bulb



STEP 1

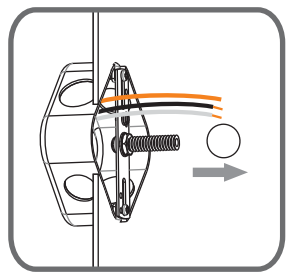
1

Step 1
Install crossbar assembly

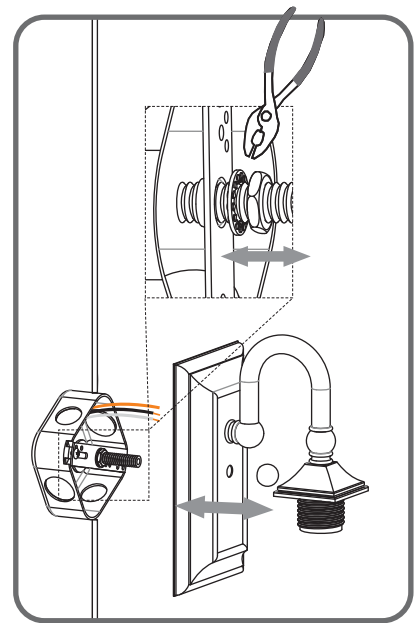


2

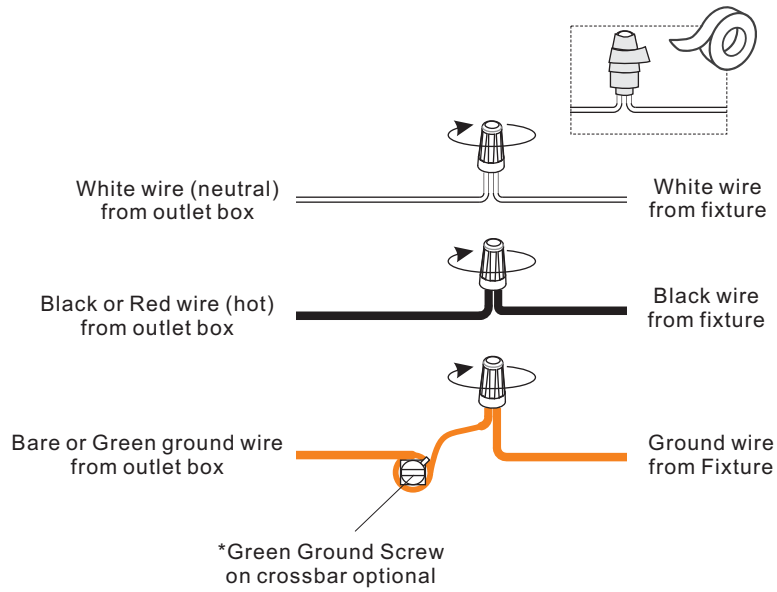
Step 2 - 3
Test fitting ceiling canopy to nipple



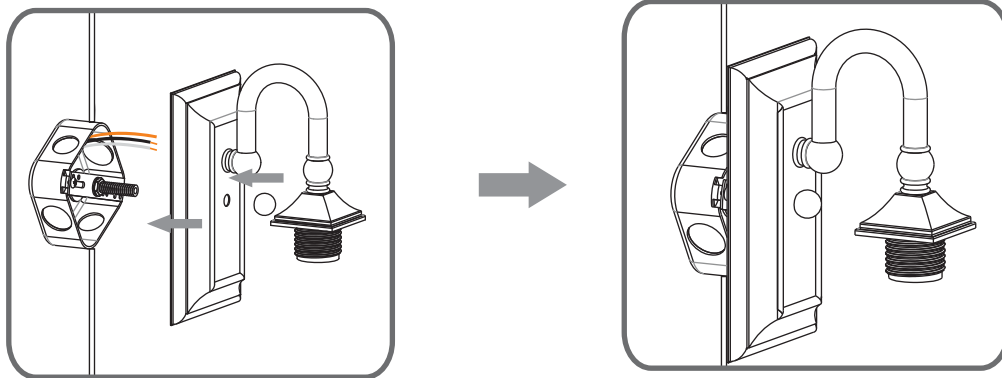
3



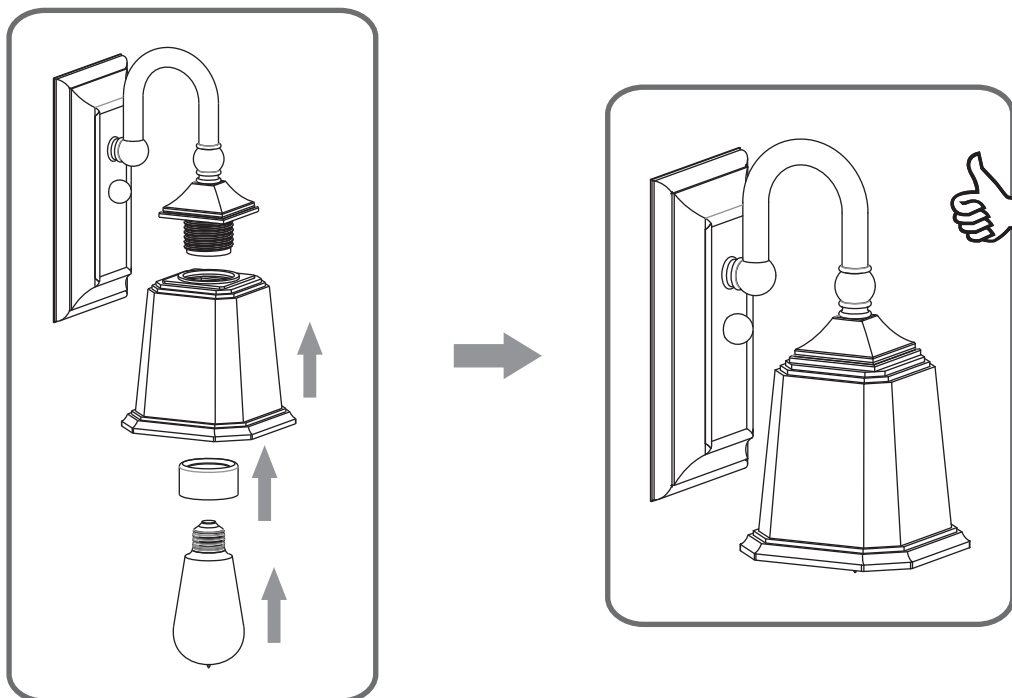
STEP 2



STEP 3



STEP 4



Note: Socket collar shape is for illustration purpose only. Your socket collar shape may vary from illustration.