

Please go to www. quozel. com for product cleaning tips. Go to the **Care + Maintenance** selection.

Tools Required: Flathead screwdriver, Phillips screwdriver, pliers, wire cutters, wire strippers, electrical tape, safety glasses.

Light Source: Integrated 9W LED

Estimated Assembly Time: 45-60 minutes

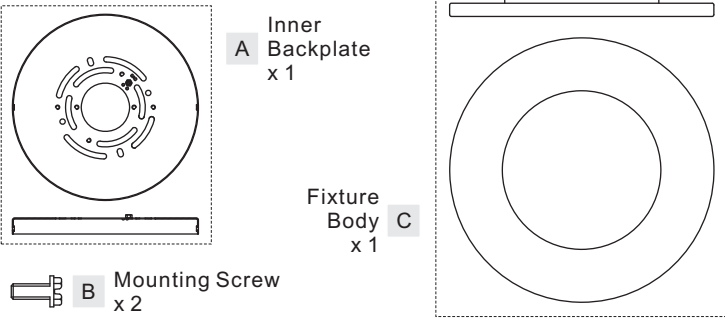
Preparation: Identify and inspect all parts before beginning installation. Check package content list and diagrams below to be sure all parts are present. If any parts are missing or damaged, do not attempt to assemble, install, or operate the fixture. Contact customer service for replacement parts.

⚠ Warnings and Cautions

Turn off electricity at circuit breaker or main fuse box before installation. Consult a licensed electrician if in doubt.

These instructions are provided for your safety. It is very important you read them completely before installing the fixture. We strongly recommend that a licensed, professional electrician perform the installation.

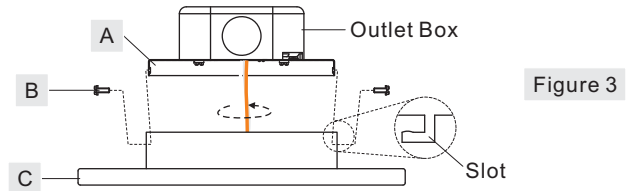
Package Contents



STEP 3 – Attach Fixture Body to Inner Backplate

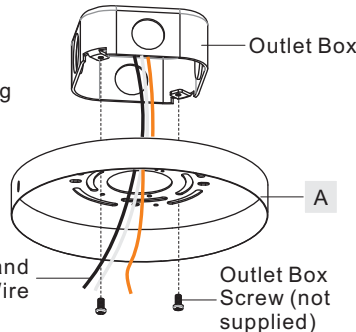
- Thread Mounting Screws (B) into the side of the flat strap of the Inner Backplate (A). Do not tighten Mounting Screws (B) at this moment.
- Fit excess cord and electrical wires in the ceiling canopy of the Fixture Body (C) properly. Fit the slots on the side of the ceiling canopy to Mounting Screws (B) and then rotate the Fixture Body (C) until it is hung safely on the Mounting Screws (B).
- Tighten Mounting Screws (B) until snug with screwdrivers.

Your fixture is now assembled and ready to use. Enjoy!



STEP 1 – Install Inner Backplate

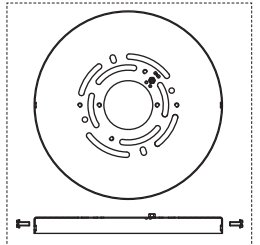
- Attach the Inner Backplate (A) to Outlet Box and secure by threading Outlet Box Screws (not supplied) into the Mounting Holes on the Outlet Box. Tighten until snug.



PCAW1612W

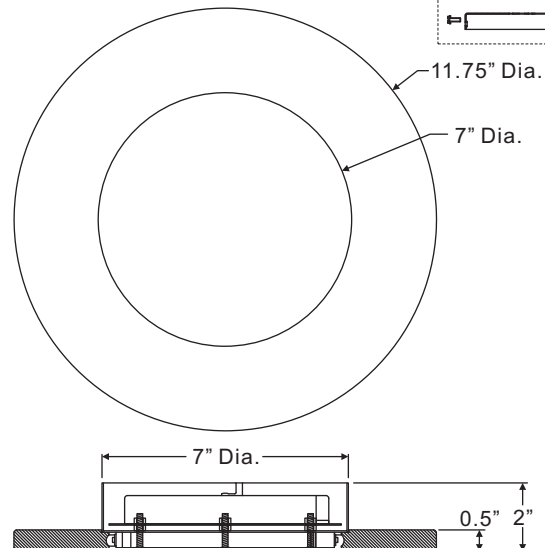
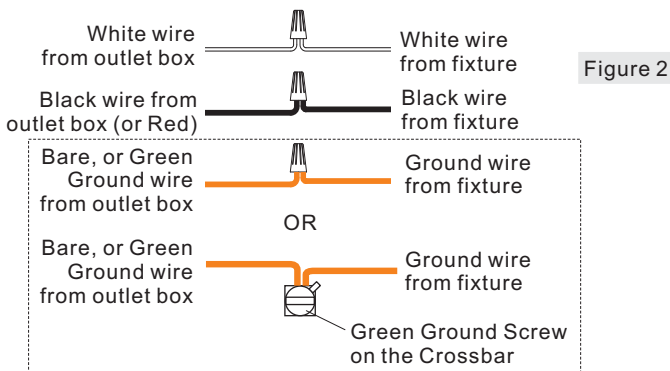
FINISH: WHITE LUSTRE

NOTE: ALL DIMENSIONS ARE ROUNDED UP TO THE NEAREST 1/4"



STEP 2 - Wire Connections

- Use standard wire connectors (not included) to make all wire connections. Twist connectors until wires are tightly joined together. Wrap each connection with approved electrical tape and carefully stuff all the connected wires into the Outlet Box.



Thank you for purchasing a Quoizel product.
Need assistance with parts or assembly? Call Quoizel customer service at 1-800-645-3184
or visit us on-line at www. quozel. com