

**SAFETY INFORMATION**

Please read and understand this entire manual before attempting to assemble, install or operate the product.

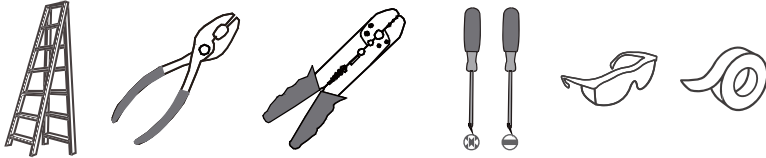
**WARNING**

- RISK OF ELECTRIC SHOCK - Before beginning installation, turn off electricity at the circuit breaker box or the main fuse box.

**CAUTION**

- For your safety, read instructions completely before beginning installation.
- If in doubt about electrical installation, consult a licensed electrician.

**TOOLS REQUIRED**



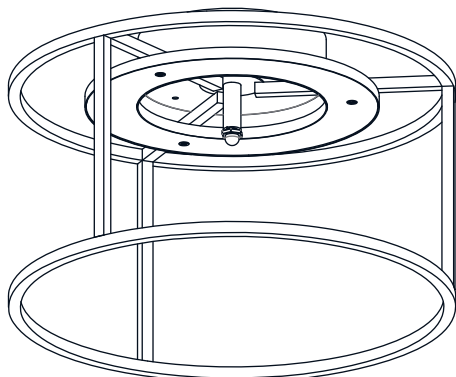
|         |              |         |
|---------|--------------|---------|
| Ratings | 120Vac, 60Hz |         |
|         | Model No.    | Wattage |
|         | PCBNC1615MBK | 22W     |

**CARE AND MAINTENANCE**

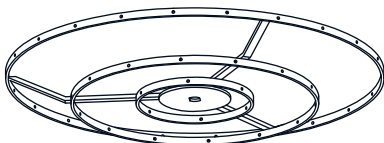
- Wipe clean using soft, dry cloth or static duster. Always avoid using harsh chemicals and abrasives to clean fixture as they may damage the finish.

If you need further assistance call Quoizel Customer Care at 1-800-645-3184 (9:00am - 5:00pm EST), or visit us on-line at [www.quoizel.com](http://www.quoizel.com).

**PACKAGE CONTENTS**



**A** Fixture Body  
x 1



**B** Bracket  
x 1

**C** Crystal Strings



Crystal String A  
x 11



Crystal String B  
(1pc replacement included)  
x 12



Crystal String C  
x 7



Crystal String D  
x 7

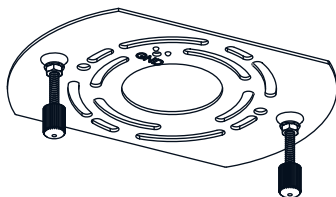


Crystal String E  
x 3

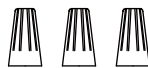


Crystal String F  
(1pc replacement included)  
x 4

**MOUNTING HARDWARE**



**AA** Crossbar Assembly  
x 1



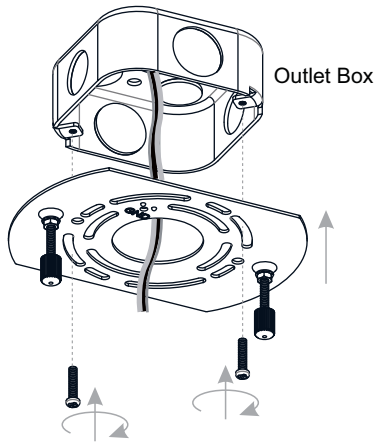
**BB** Wire Connector  
x 3



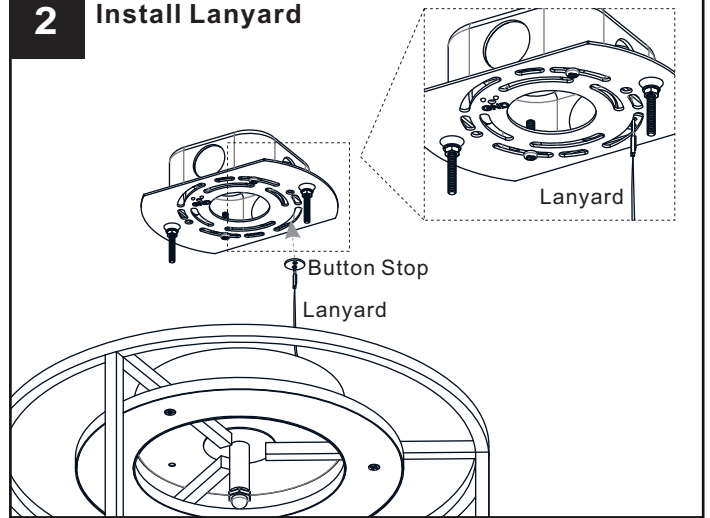
**CC** Outlet Box Screw  
x 2

# INSTALLATION

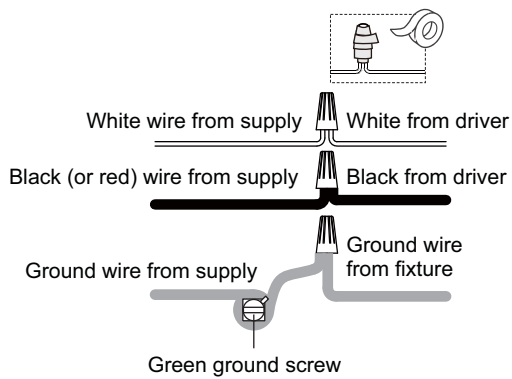
## 1 Install Crossbar Assembly



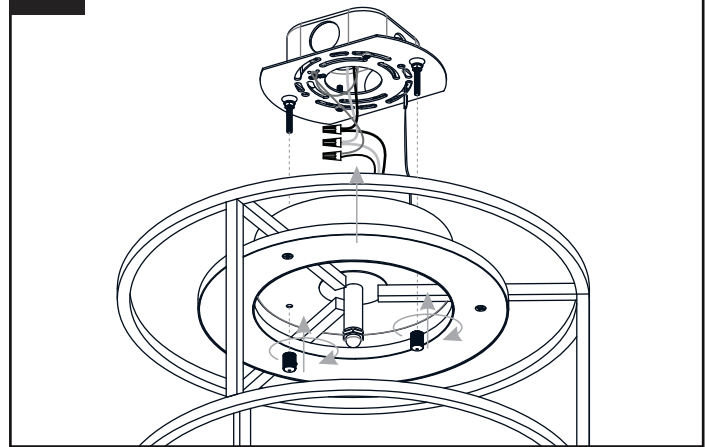
## 2 Install Lanyard



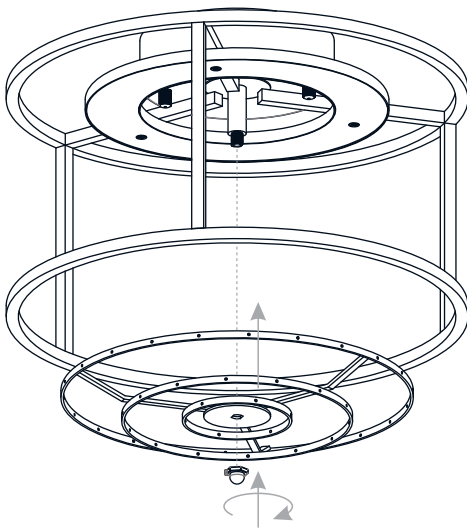
## 3 Wiring



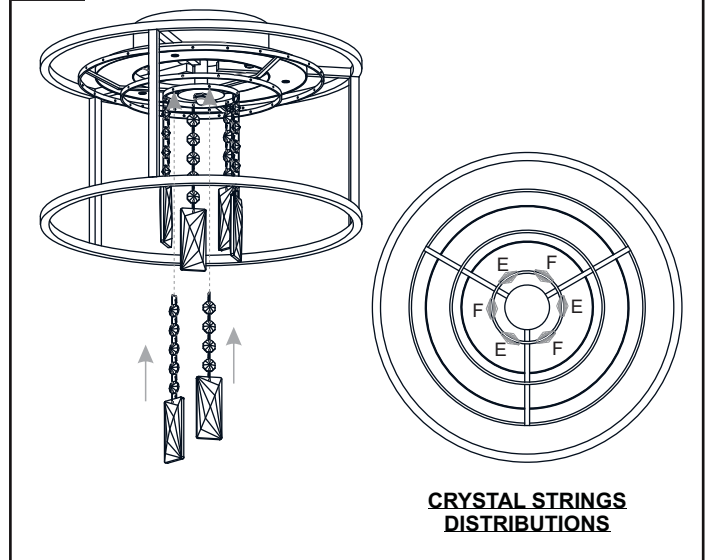
## 4 Install Fixture Body to Crossbar Assembly



## 5 Install Bracket

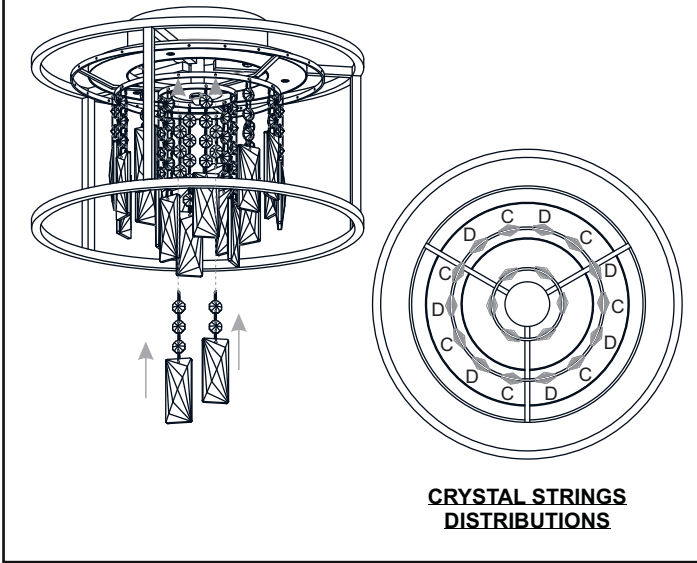


## 6 Install Crystal Strings E and F

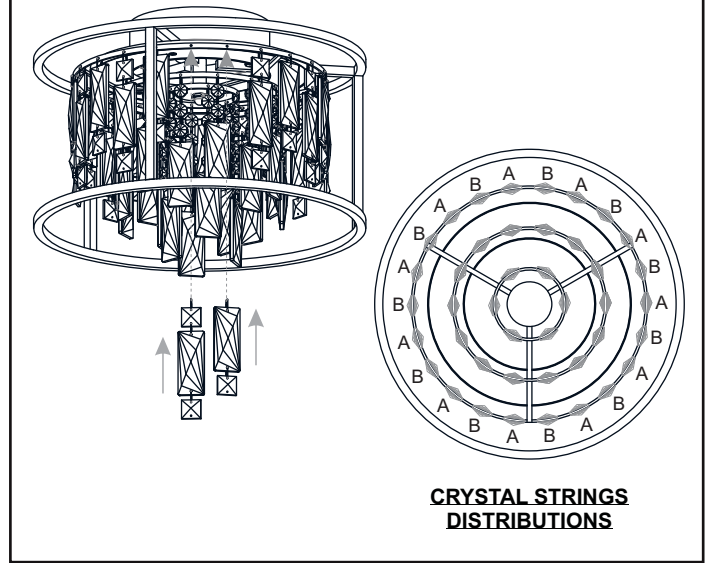


**INSTALLATION**

**7** Install Crystal Strings C and D



**8** Install Crystal Strings A and B



Your installation is now complete! Restore electricity and save this sheet for future reference.