

SAFETY INFORMATION

Please read and understand this entire manual before attempting to assemble, install or operate the product.

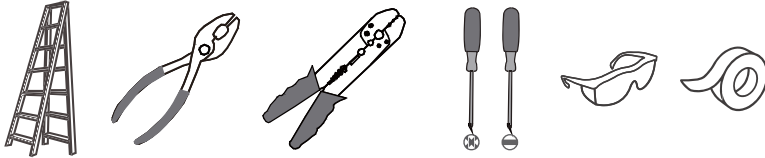
WARNING

- RISK OF ELECTRIC SHOCK - Before beginning installation, turn off electricity at the circuit breaker box or the main fuse box.

CAUTION

- For your safety, read instructions completely before beginning installation.
- If in doubt about electrical installation, consult a licensed electrician.

TOOLS REQUIRED



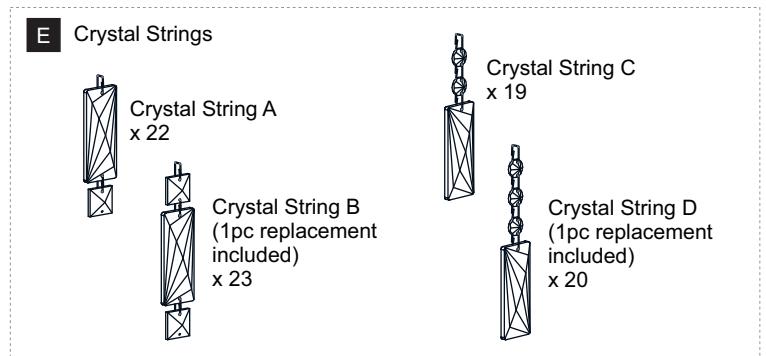
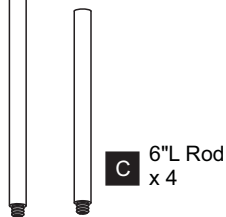
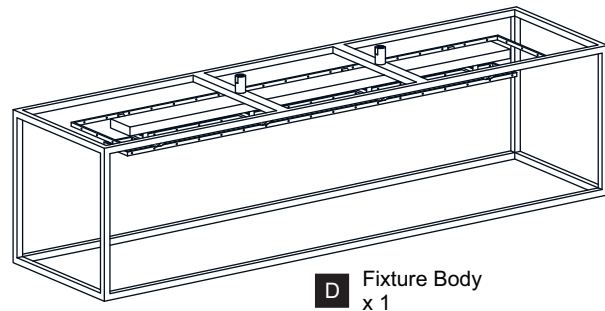
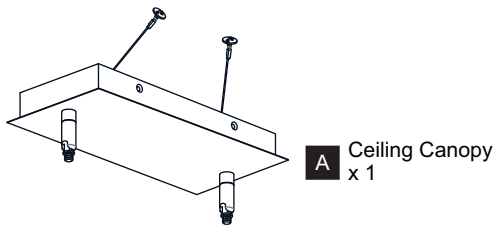
Ratings	120Vac, 60Hz	
	Model No.	Wattage
	PCBNC635MBK	28W

CARE AND MAINTENANCE

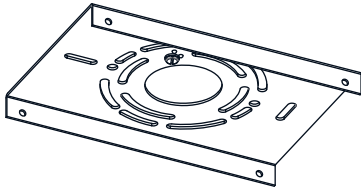
- Wipe clean using soft, dry cloth or static duster. Always avoid using harsh chemicals and abrasives to clean fixture as they may damage the finish.

If you need further assistance call Quoizel Customer Care at 1-800-645-3184 (9:00am - 5:00pm EST), or visit us on-line at www.quoizel.com.

PACKAGE CONTENTS



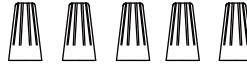
MOUNTING HARDWARE



AA Inner Backplate
x 1



BB Mounting Screw
x 4



CC Wire Connector
x 5



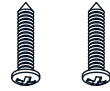
DD Outlet Box Screw
x 2



EE Wall Anchor
x 2



FF Washer
x 2



GG Screw
x 2

INSTALLATION

1 Install Rods

Optional Rods:

8 Feet Ceiling:
(2) 12"L Rods.
9 Feet Ceiling:
(2) 6"L Rods + (2) 12"L Rods.

2 Install Ceiling Canopy to Upper Rod

3 Install Swivels, Ceiling Canopy and Lanyards to Upper Rods

Swivel

90Degree

For angled ceilings, Swivels opening towards wall.

* Make sure two swivels opening are in the same direction while assembling.

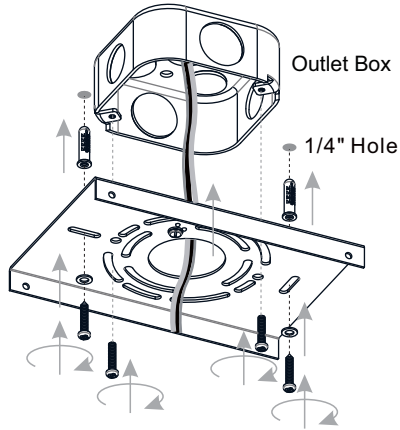
4 Connect Fixture Wires to Driver

Red wire from driver identified with label "LED +" Red wire from fixture identified with label "LED +"

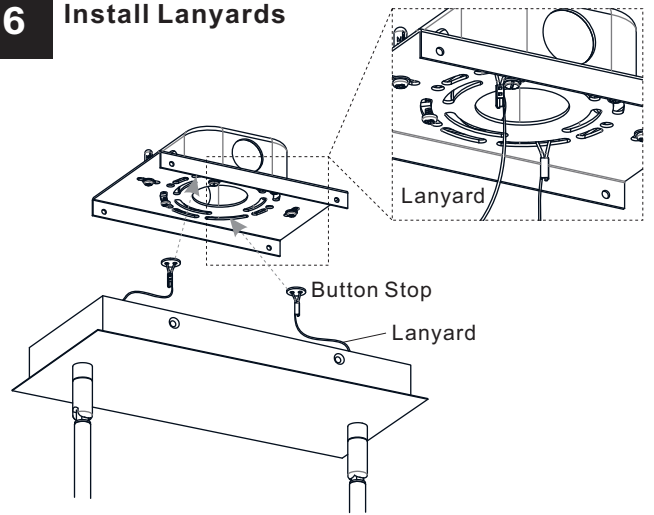
Black wire from driver identified with label "LED -" Black wire from fixture identified with label "LED -"

INSTALLATION

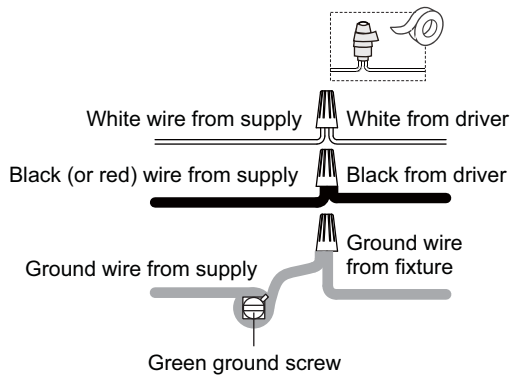
5 Install Inner Backplate



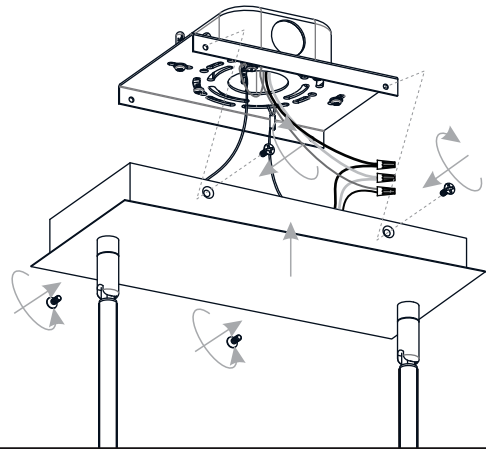
6 Install Lanyards



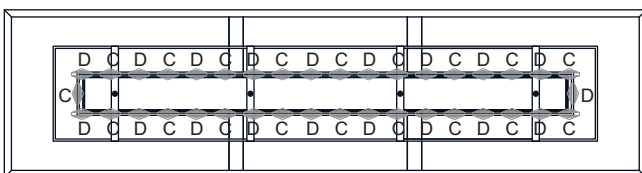
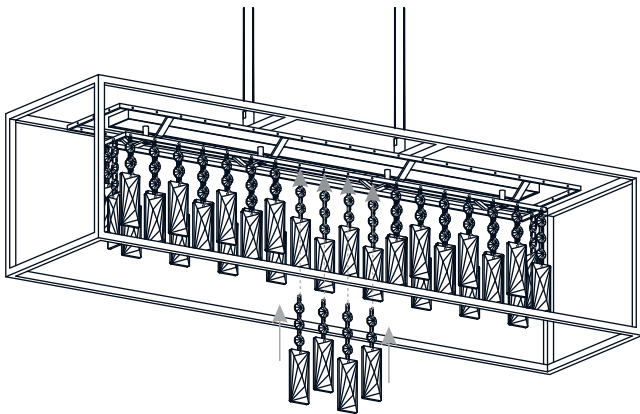
7 Wiring



8 Install Ceiling Canopy to Crossbar Assembly

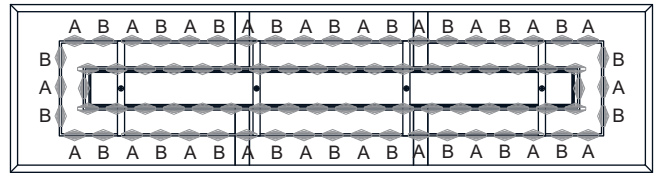
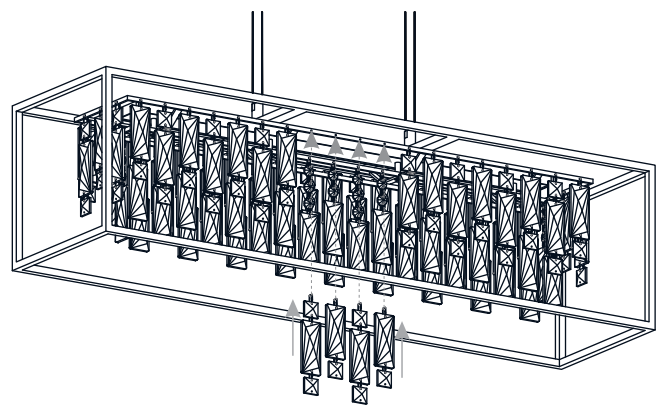


9 Install Crystal Strings C and D



CRYSTAL STRINGS DISTRIBUTIONS

10 Install Crystal Strings A and B



CRYSTAL STRINGS DISTRIBUTIONS

Your installation is now complete! Restore electricity and save this sheet for future reference.