

SAFETY INFORMATION

Please read and understand this entire manual before attempting to assemble, install or operate the product.

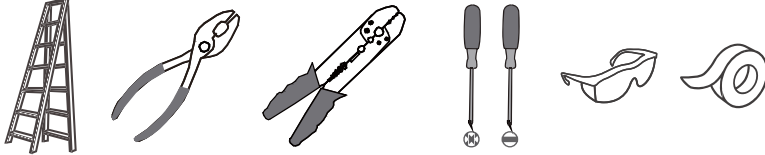
WARNING

- RISK OF ELECTRIC SHOCK - Before beginning installation, turn off electricity at the circuit breaker box or the main fuse box.

CAUTION

- For your safety, read instructions completely before beginning installation.
- If in doubt about electrical installation, consult a licensed electrician.

TOOLS REQUIRED



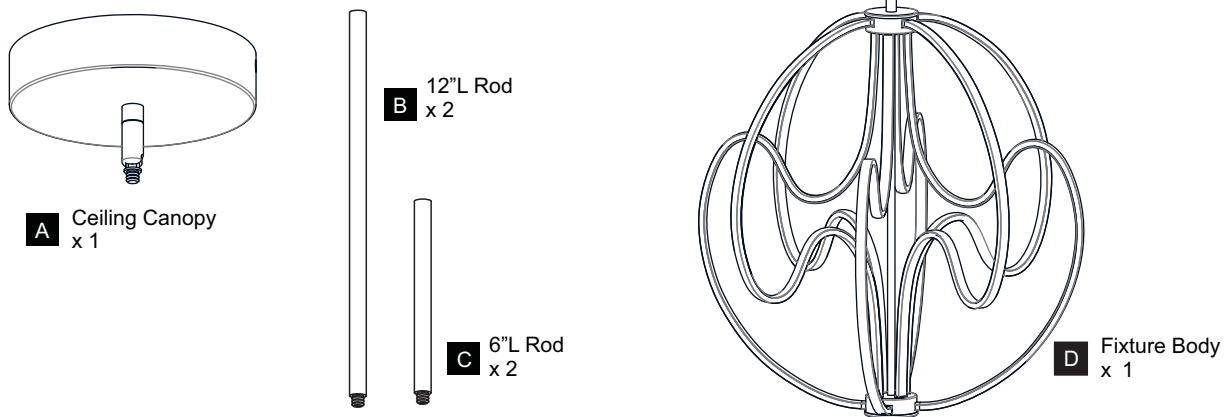
| | | |
|---------|--------------|---------|
| Ratings | 120Vac, 60Hz | |
| | Model No. | Wattage |
| | PCCLR2824C | 42W |
| | PCCLR2824MBK | 42W |

CARE AND MAINTENANCE

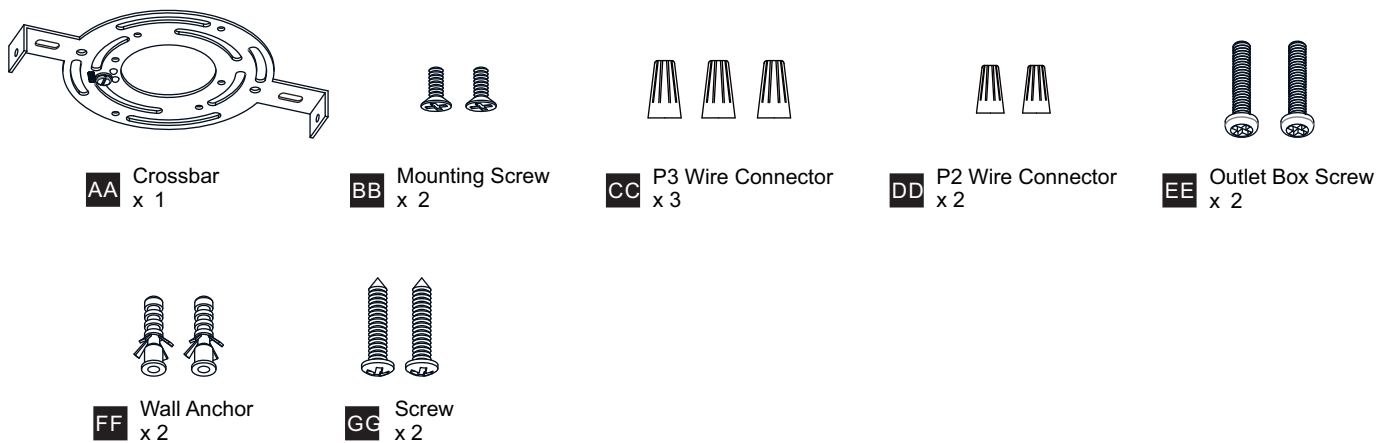
- Wipe clean using soft, dry cloth or static duster. Always avoid using harsh chemicals and abrasives to clean fixture as they may damage the finish.

If you need further assistance call Quoizel Customer Care at 1-800-645-3184 (9:00am - 5:00pm EST), or visit us on-line at www.quoizel.com.

PACKAGE CONTENTS



MOUNTING HARDWARE

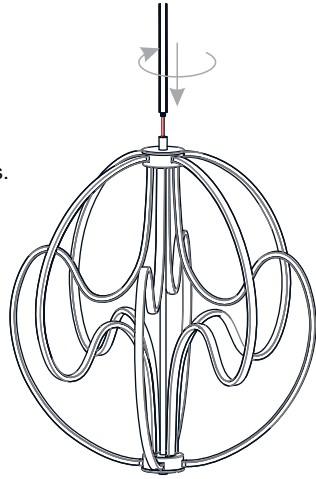


INSTALLATION

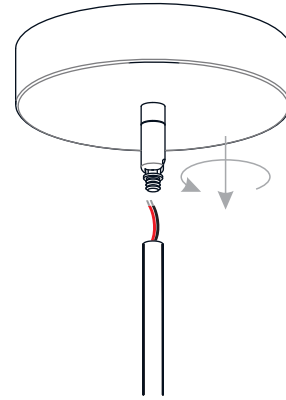
1 Install Rods

Optional Rods:

- 8 Feet Ceiling:
(1) 6" Rod.
- 9 Feet Ceiling:
(1) 6"L Rod + (1) 12"L Rod.
- 10 Feet Ceiling:
(1) 6"L Rod + (2) 12"L Rods.

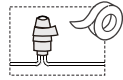


2 Install Ceiling Canopy to Upper Rod



3 Connect Fixture Wires to Driver

P2 Wire Connector

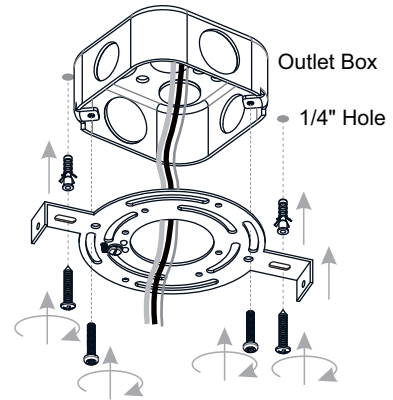


Red wire from driver identified with label "LED +" Red wire from fixture identified with label "LED +"

Black wire from driver identified with label "LED -" Black wire from fixture identified with label "LED -"

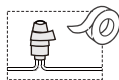


4 Install Crossbar



5 Connect Supply Wires to Driver

P3 Wire Connector



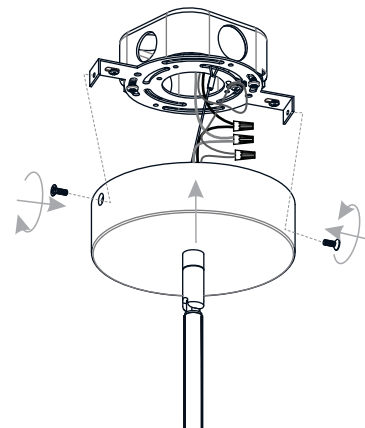
White wire from supply White wire from driver

Black (or red) wire from supply Black wire from driver

Ground wire from supply Ground wire from fixture



6 Install Ceiling Canopy to Crossbar



Your installation is now complete! Restore electricity and save this sheet for future reference.