

**SAFETY INFORMATION**

Please read and understand this entire manual before attempting to assemble, install or operate the product.

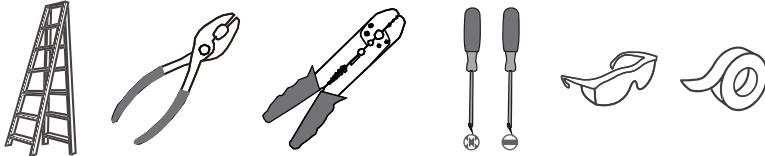
**WARNING**

- RISK OF ELECTRIC SHOCK - Before beginning installation, turn off electricity at the circuit breaker box or the main fuse box.
- RISK OF FIRE - Use bulbs specified by the markings and/or labels on the fixture.

**CAUTION**

- For your safety, read instructions completely before beginning installation.
- If in doubt about electrical installation, consult a licensed electrician.
- Turn off electricity to fixture before replacing the bulb(s).

**TOOLS REQUIRED**

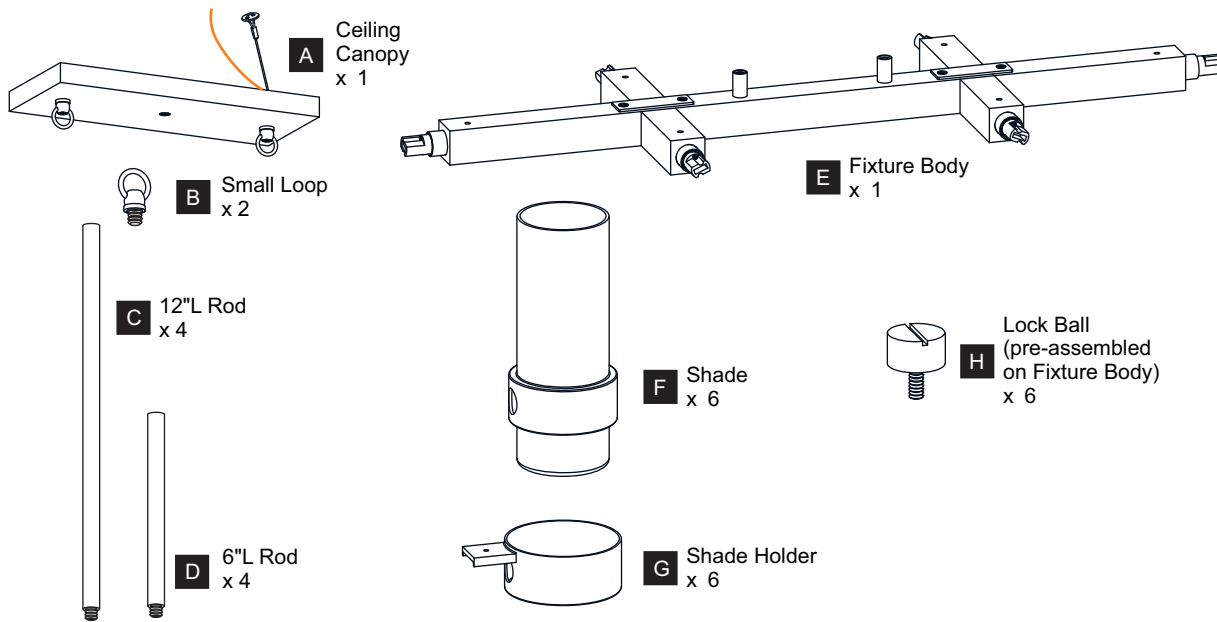


**CARE AND MAINTENANCE**

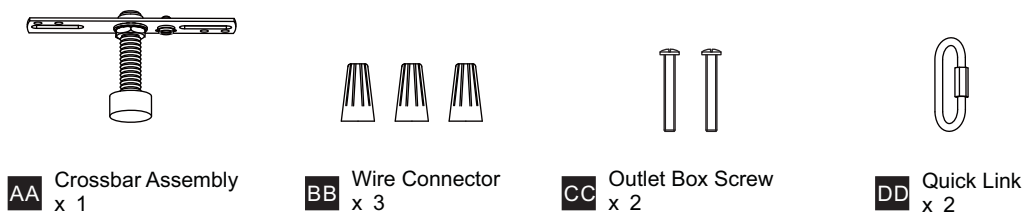
- Wipe clean using soft, dry cloth or static duster. Always avoid using harsh chemicals and abrasives to clean fixture as they may damage the finish.

If you need further assistance call Quoizel Customer Care at 1-800-645-3184 (9:00am - 5:00pm EST), or visit us on-line at [www.quoizel.com](http://www.quoizel.com).

**PACKAGE CONTENTS**



**MOUNTING HARDWARE**



# INSTALLATION

**1 Install Rods**

Optional Rods:

8 Feet Ceiling:  
(2) 12"L Rods each side.

9 Feet Ceiling:  
(2) 6"L Rods + (2) 12"L Rods each side.

**2 Install Small Loops and Ceiling Canopy**

**3 Install Crossbar Assembly**

**4 Install Lanyards**

**5 Wiring**

White wire from supply

Ribbed side of wire from fixture identified with the label "N"

Black (or red) wire from supply

Smooth side of wire from fixture identified with the label "L"

Ground wire from supply

Green ground wire

Ground wire from fixture identified with the label "G"

Ground wire from Canopy

**6 Install Ceiling Canopy**

**7 Install Bulbs**

Install six correct bulbs referring to fixture markings and/or labels for maximum wattage.

**Recommended Bulb type (not included):**

40W MAX

BULB BASE TYPE G9 BASE

BULB TYPE TYPE G9 FROSTED

\* Do not touch the bulb with bare hands use a cloth or glove.

**8 Install Shades**

Your installation is now complete! Restore electricity and save this sheet for future reference.