

**SAFETY INFORMATION**

Please read and understand this entire manual before attempting to assemble, install or operate the product.

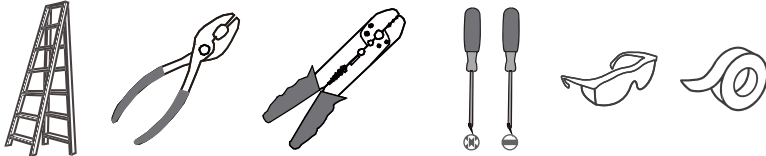
**WARNING**

- RISK OF ELECTRIC SHOCK - Before beginning installation, turn off electricity at the circuit breaker box or the main fuse box.

**CAUTION**

- For your safety, read instructions completely before beginning installation.
- If in doubt about electrical installation, consult a licensed electrician.

**TOOLS REQUIRED**



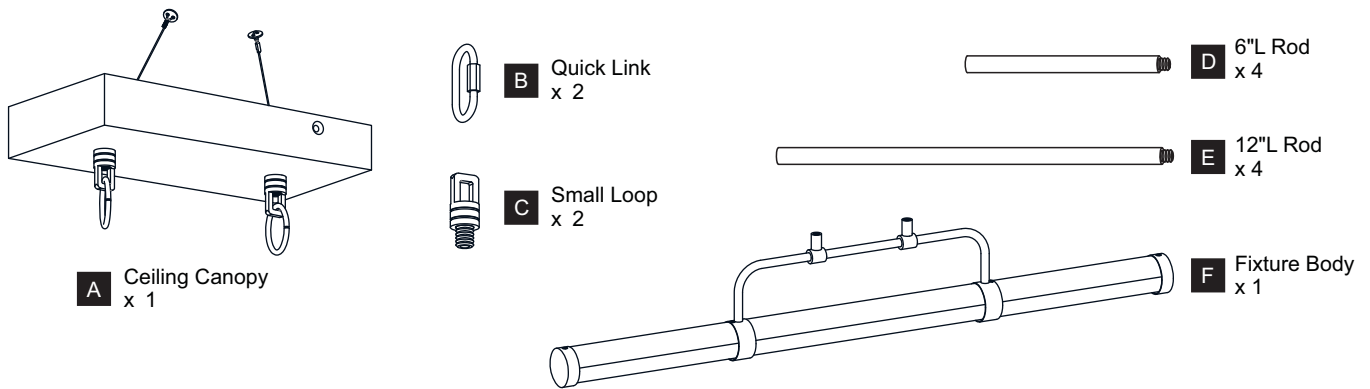
Ratings	120Vac, 60Hz	
	Model No.	Wattage
	PCNAY142MBK	25W

**CARE AND MAINTENANCE**

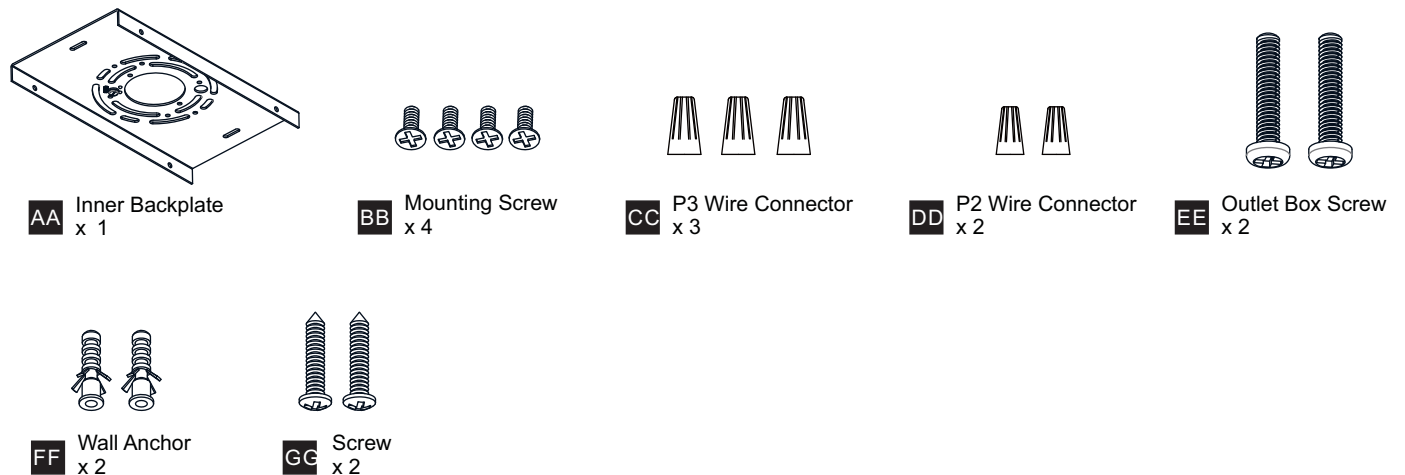
- Wipe clean using soft, dry cloth or static duster. Always avoid using harsh chemicals and abrasives to clean fixture as they may damage the finish.

If you need further assistance call Quozel Customer Care at 1-800-645-3184 (9:00am - 5:00pm EST), or visit us on-line at [www.quozel.com](http://www.quozel.com).

**PACKAGE CONTENTS**



**MOUNTING HARDWARE**



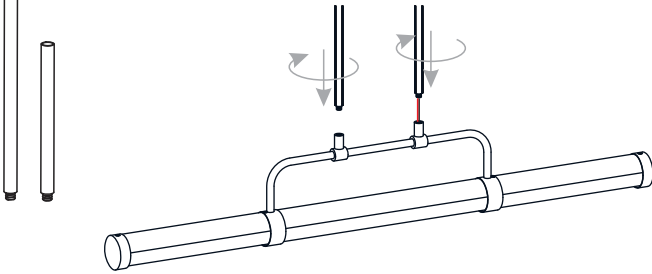
# INSTALLATION

## 1 Install Rods

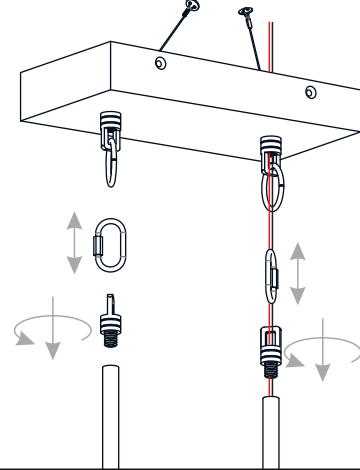
Optional Rods:

8 Feet Ceiling:  
(2) 12"L Rods each side.

9 Feet Ceiling:  
(2) 6"L Rods + (2) 12"L Rods each side.



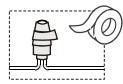
## 2 Separate Small Loops and Ceiling Canopy



## 3 Connect Fixture Wires to Driver

P2 Wire Connector

Red wire from driver  
identified with label "LED +"



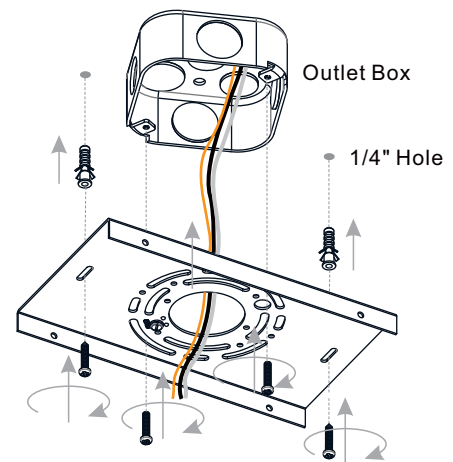
Insulated single wire from fixture  
identified with label "LED +"

Yellow wire from driver  
identified with label "LED -"



Bare wire from fixture  
identified with label "LED -"

## 4 Install Inner Backplate

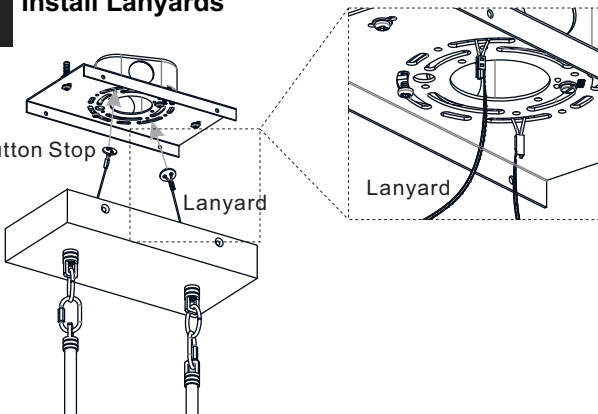


## 5 Install Lanyards

Button Stop

Lanyard

Lanyard



## 6 Wiring

P3 Wire Connector

White wire from supply

White wire from fixture

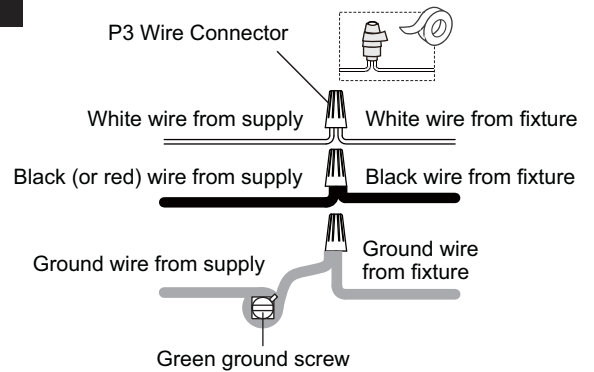
Black (or red) wire from supply

Black wire from fixture

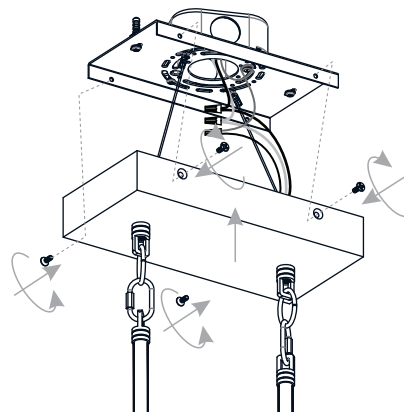
Ground wire from supply

Ground wire from fixture

Green ground screw



## 7 Install Ceiling Canopy to Inner Backplate



Your installation is now complete! Restore electricity and save this sheet for future reference.