

SAFETY INFORMATION

Please read and understand this entire manual before attempting to assemble, install or operate the product.

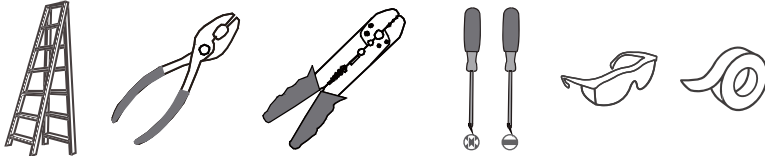
WARNING

- RISK OF ELECTRIC SHOCK - Before beginning installation, turn off electricity at the circuit breaker box or the main fuse box.

CAUTION

- For your safety, read instructions completely before beginning installation.
- If in doubt about electrical installation, consult a licensed electrician.

TOOLS REQUIRED



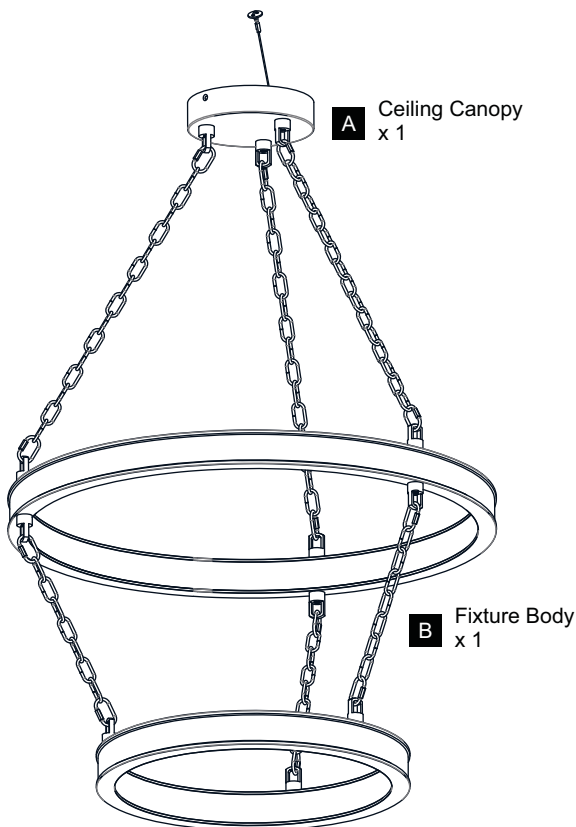
Ratings	120Vac, 60Hz	
	Model No.	Wattage
	PCOZA2827A	60W

CARE AND MAINTENANCE

- Wipe clean using soft, dry cloth or static duster. Always avoid using harsh chemicals and abrasives to clean fixture as they may damage the finish.

If you need further assistance call Quoizel Customer Care at 1-800-645-3184 (9:00am - 5:00pm EST), or visit us on-line at www.quoizel.com.

PACKAGE CONTENTS



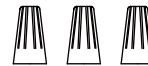
MOUNTING HARDWARE



AA Crossbar
x 1



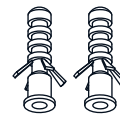
BB Mounting Screw
x 2



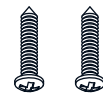
CC Wire Connector
x 3



DD Outlet Box Screw
x 2



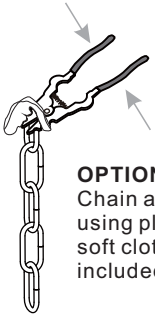
EE Wall Anchor
x 2



FF Screw
x 2

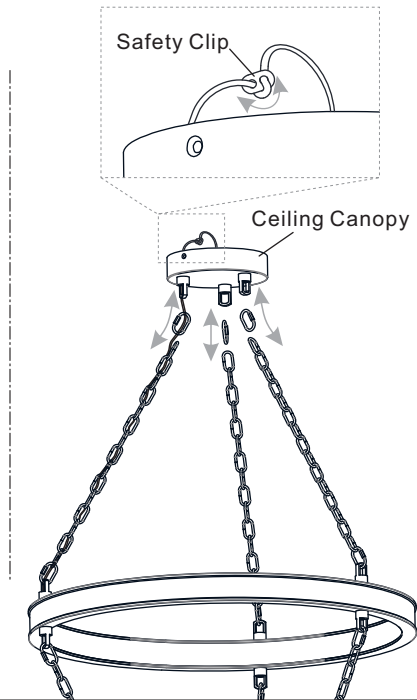
INSTALLATION

1 Adjust Chain Length

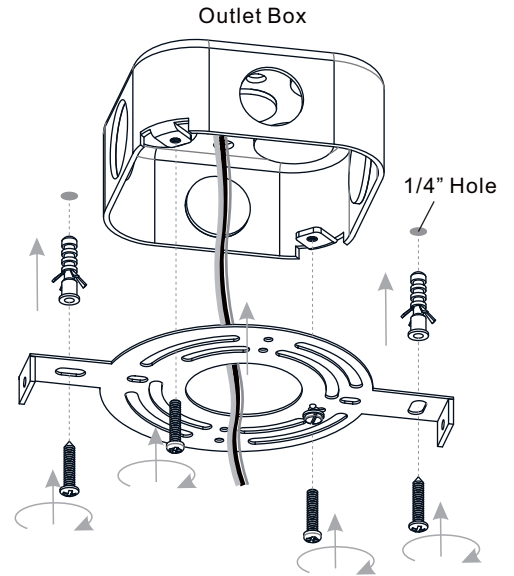


OPTIONAL: Adjust Chain as desired, using pliers and soft cloth (neither included).

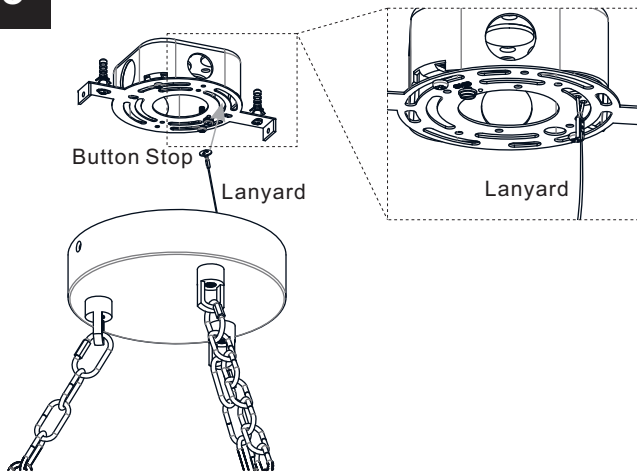
Suggested chain length for Ceiling height:
8 feet ceiling: use 14 links of chain and 2 quick links
9 feet ceiling: use 24 links of chain and 2 quick links
10 feet ceiling: use 34 links of chain and 2 quick links.



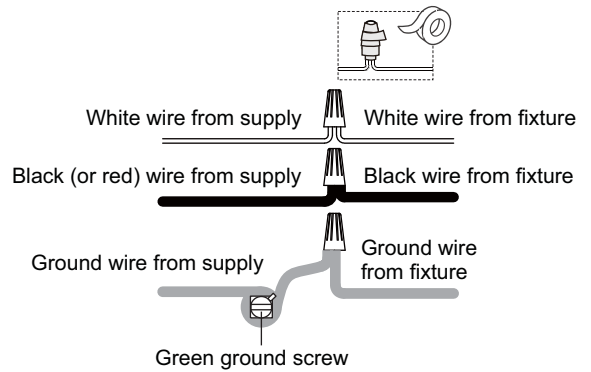
2 Install Crossbar



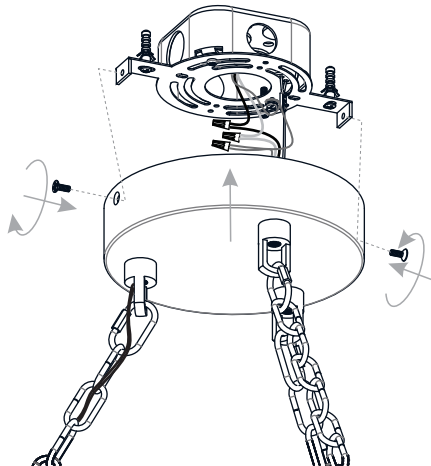
3 Install Lanyard



4 Wiring



5 Install Ceiling Canopy



Your installation is now complete! Restore electricity and save this sheet for future reference.