

**SAFETY INFORMATION**

Please read and understand this entire manual before attempting to assemble, install or operate the product.

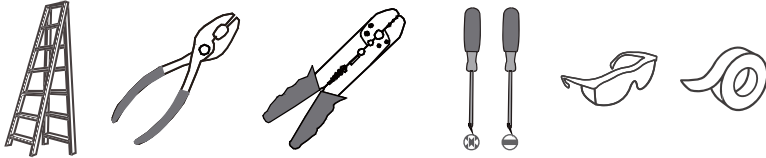
**WARNING**

- RISK OF ELECTRIC SHOCK - Before beginning installation, turn off electricity at the circuit breaker box or the main fuse box.

**CAUTION**

- For your safety, read instructions completely before beginning installation.
- If in doubt about electrical installation, consult a licensed electrician.

**TOOLS REQUIRED**



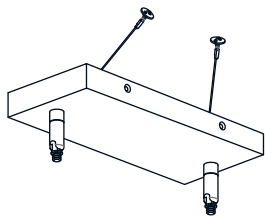
Ratings	120Vac, 60Hz	
	Model No.	Wattage
	PCRGL138MBK	37W

**CARE AND MAINTENANCE**

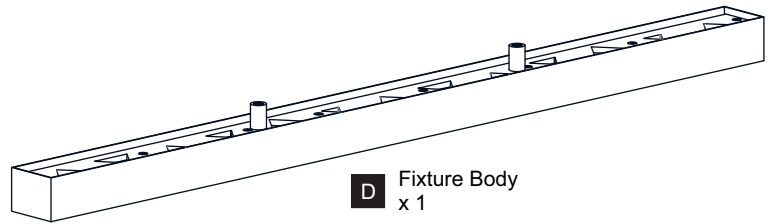
- Wipe clean using soft, dry cloth or static duster. Always avoid using harsh chemicals and abrasives to clean fixture as they may damage the finish.

If you need further assistance call Quozel Customer Care at 1-800-645-3184 (9:00am - 5:00pm EST), or visit us on-line at [www.quezel.com](http://www.quezel.com).

**PACKAGE CONTENTS**



**A** Ceiling Canopy  
x 1



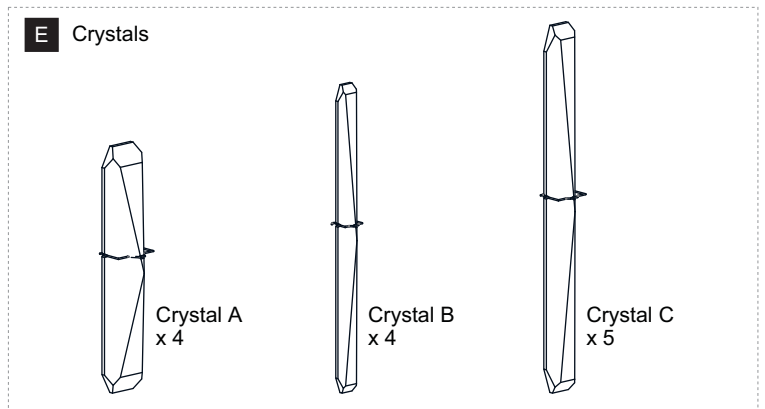
**D** Fixture Body  
x 1



**B** 12" Rod  
x 4



**C** 6" Rod  
x 4



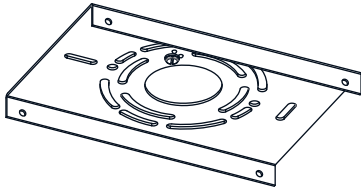
**E** Crystals

Crystal A  
x 4

Crystal B  
x 4

Crystal C  
x 5

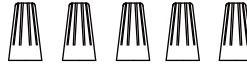
# MOUNTING HARDWARE



**AA** Inner Backplate  
x 1



**BB** Mounting Screw  
x 4



**CC** Wire Connector  
x 5



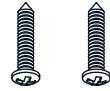
**DD** Outlet Box Screw  
x 2



**EE** Wall Anchor  
x 2



**FF** Washer  
x 2



**GG** Screw  
x 2

## INSTALLATION

**1 Install Rods**

Optional Rods:

8 Feet Ceiling:  
(2) 12"L Rods.

9 Feet Ceiling:  
(2) 6"L Rods + (2) 12"L Rods.

**2 Install Ceiling Canopy to Upper Rod**

**3 Install Swivels, Ceiling Canopy and Lanyards to Upper Rods**

Swivel  
90Degree

For angled ceilings,  
Swivels opening towards wall.

\* Make sure two swivels  
opening are in the same  
direction while assembling.

**4 Connect Fixture Wires to Driver**

Red wire from driver  
identified with label "LED +"

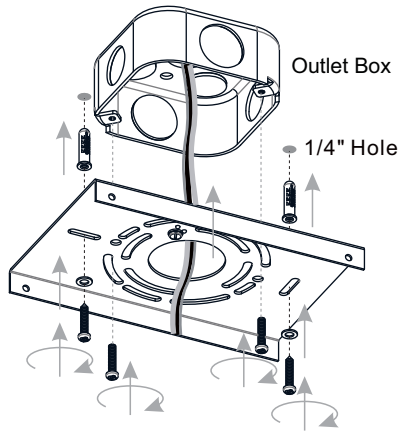
Red wire from fixture  
identified with label "LED +"

Black wire from driver  
identified with label "LED -"

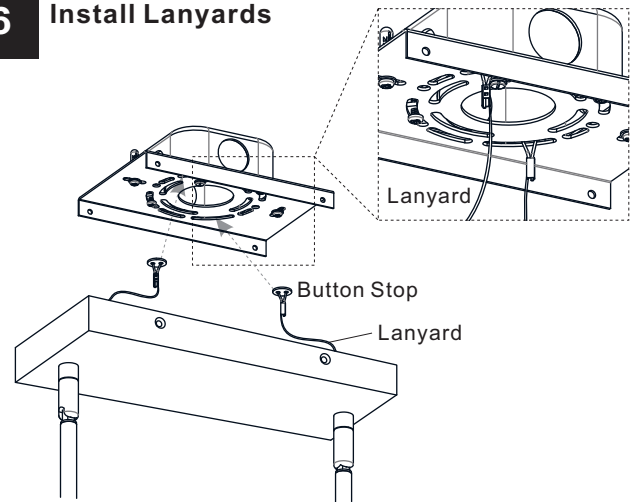
Black wire from fixture  
identified with label "LED -"

# INSTALLATION

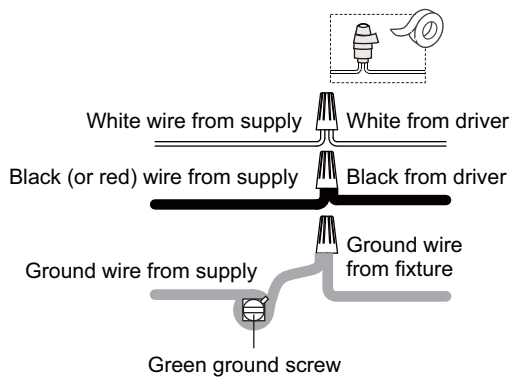
## 5 Install Inner Backplate



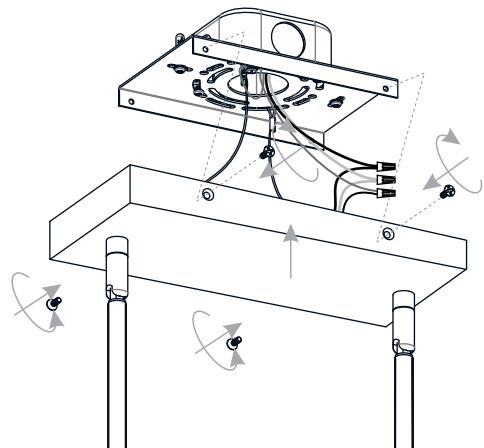
## 6 Install Lanyards



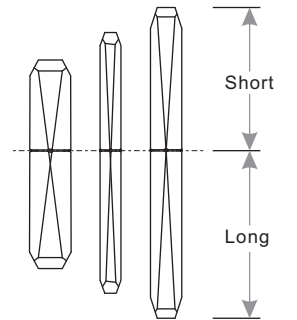
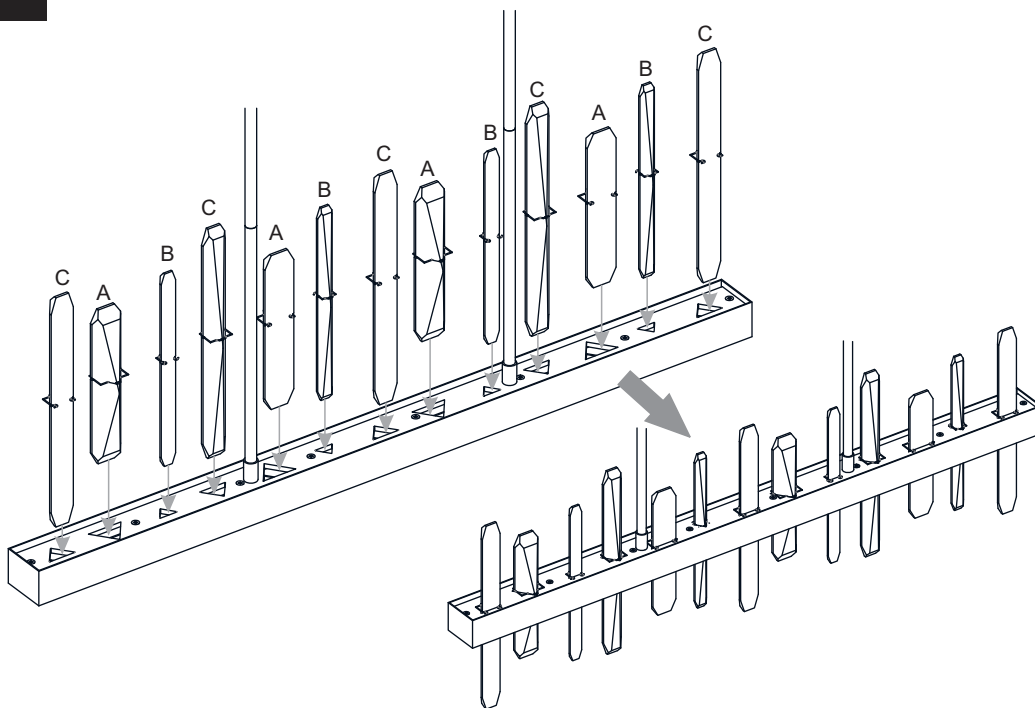
## 7 Wiring



## 8 Install Ceiling Canopy to Crossbar Assembly



## 9 Install Crystals



Make sure long ends towards down while assembling.

Your installation is now complete! Restore electricity and save this sheet for future reference.