

SAFETY INFORMATION

Please read and understand this entire manual before attempting to assemble, install or operate the product.

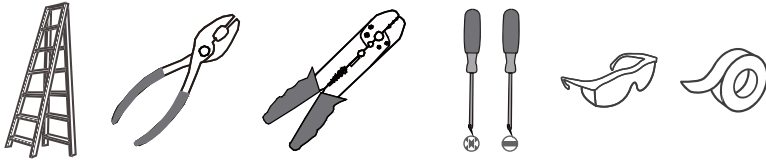
WARNING

- RISK OF ELECTRIC SHOCK - Before beginning installation, turn off electricity at the circuit breaker box or the main fuse box.
- RISK OF FIRE - Use bulbs specified by the markings and/or labels on the fixture.

CAUTION

- For your safety, read instructions completely before beginning installation.
- If in doubt about electrical installation, consult a licensed electrician.
- Turn off electricity to fixture and allow the bulbs to cool before replacing the bulb(s).
- Do not touch the bulb with bare hands use a cloth or glove.

TOOLS REQUIRED

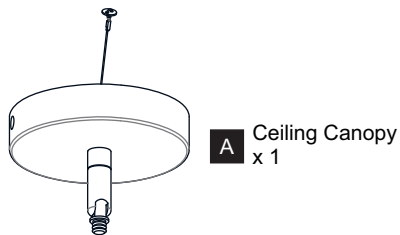


CARE AND MAINTENANCE

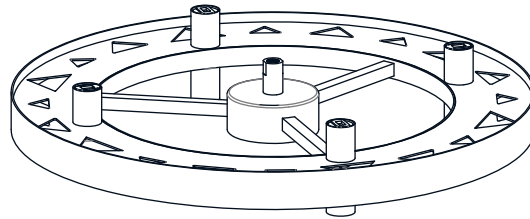
- Wipe clean using soft, dry cloth or static duster. Always avoid using harsh chemicals and abrasives to clean fixture as they may damage the finish.

If you need further assistance call Quoizel Customer Care at 1-800-645-3184 (9:00am - 5:00pm EST), or visit us on-line at www.quoizel.com.

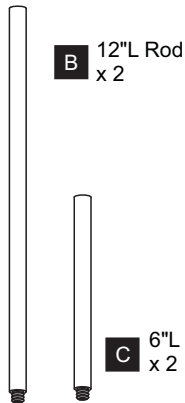
PACKAGE CONTENTS



A Ceiling Canopy
x 1

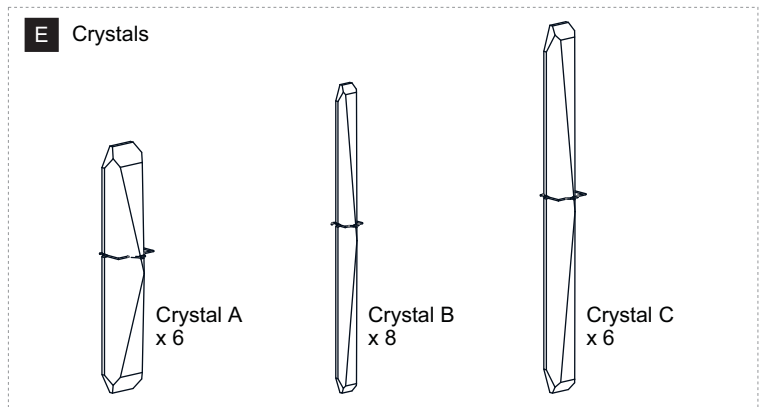


D Fixture Body
x 1



B 12" L Rod
x 2

C 6" L Rod
x 2



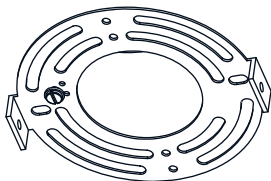
E Crystals

Crystal A
x 6

Crystal B
x 8

Crystal C
x 6

MOUNTING HARDWARE



AA Crossbar
x 1



BB Mounting Screw
x 2



CC Wire Connector
x 3



DD Outlet Box Screw
x 2

INSTALLATION

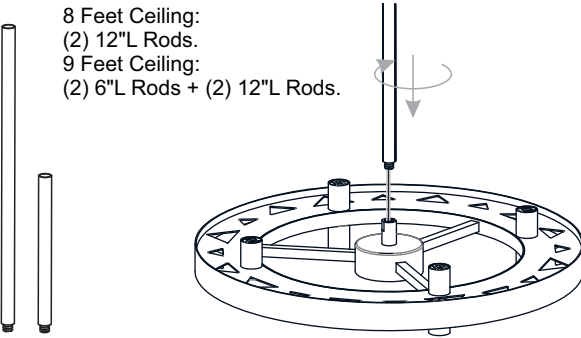
OPTION 1: PENDANT - PCRGL2816MBK

1 Install Rods

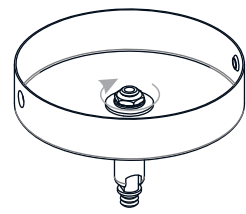
Optional Rods:

8 Feet Ceiling:
(2) 12"L Rods.

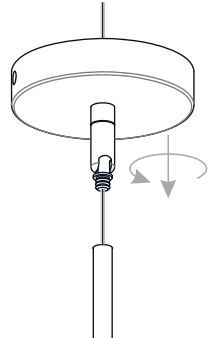
9 Feet Ceiling:
(2) 6"L Rods + (2) 12"L Rods.



2 Tighten Hex Nut Inside of Ceiling Canopy

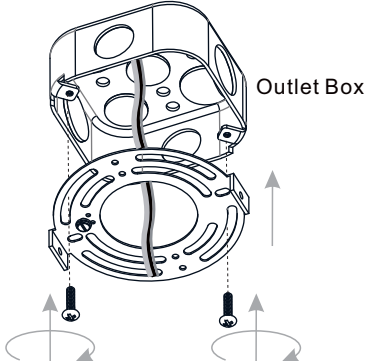


3 Install Ceiling Canopy to Upper Rod



4 Install Crossbar

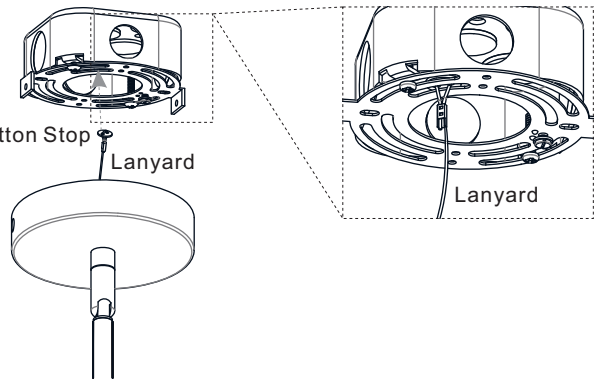
Outlet Box



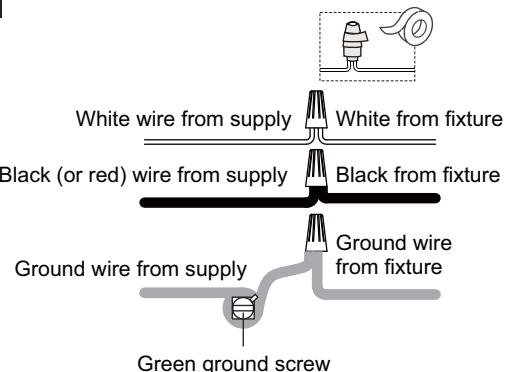
5 Install Lanyard

Button Stop

Lanyard



6 Wiring



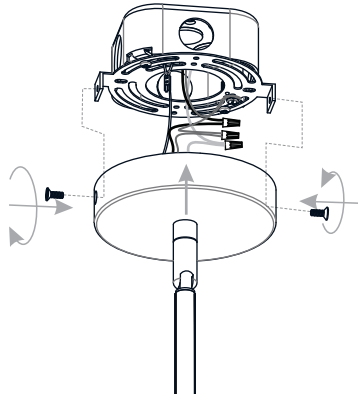
White wire from supply White from fixture

Black (or red) wire from supply Black from fixture

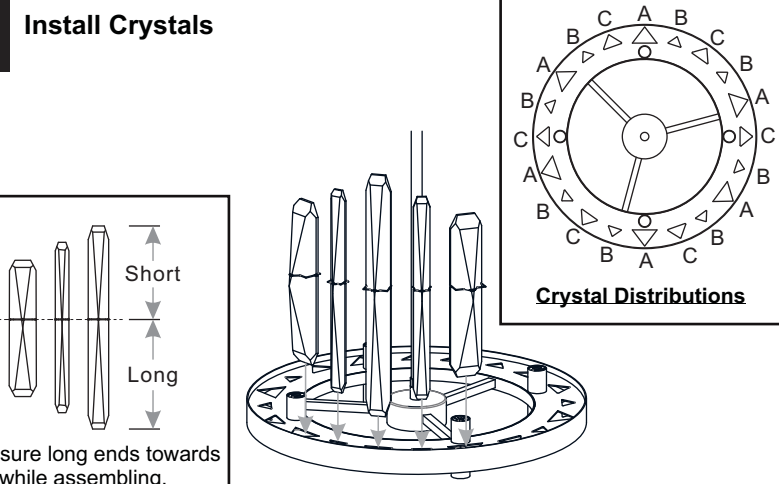
Ground wire from supply Ground wire from fixture

Green ground screw

7 Install Ceiling Canopy to Crossbar



8 Install Crystals



Short

Long



Make sure long ends towards down while assembling.

Crystal Distributions

9 Install Bulbs

Install eight correct bulbs referring to fixture markings and/or labels for maximum wattage.

Recommended Bulb type (not included):

 BULB BASE TYPE G9 BASE	40W MAX  BULB TYPE TYPE G9 T4 XENON CLEAR
--	--

*** Do not touch the bulb with bare hands use a cloth or glove.**

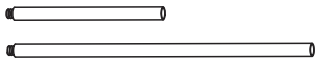
Your installation is now complete! Restore electricity and save this sheet for future reference.

INSTALLATION

IMPORTANT: This CONVERTIBLE fixture can be mounted as pendant light or semi-flush light. **DO NOT CUT SUPPLY WIRES** if you intend to use it as pendant light.

OPTION 2: SEMI-FLUSH - PCRGL1716MBK

* Set aside (1) 6"L Rod and (2) 12"L Rods since they are not required for the semi-flush installation.



1 Remove Swivel

2 Install 6"L Rod and Ceiling Canopy to Fixture Body

3 Install Crystals

Crystal Distributions

Make sure long ends towards down while assembling.

4 Install Crossbar

Outlet Box

QUOIZEL RECOMMENDS TWO PEOPLE FOR THE FOLLOWING INSTALLATIONS.

5 Install Lanyard

Button Stop Lanyard

6 Wiring

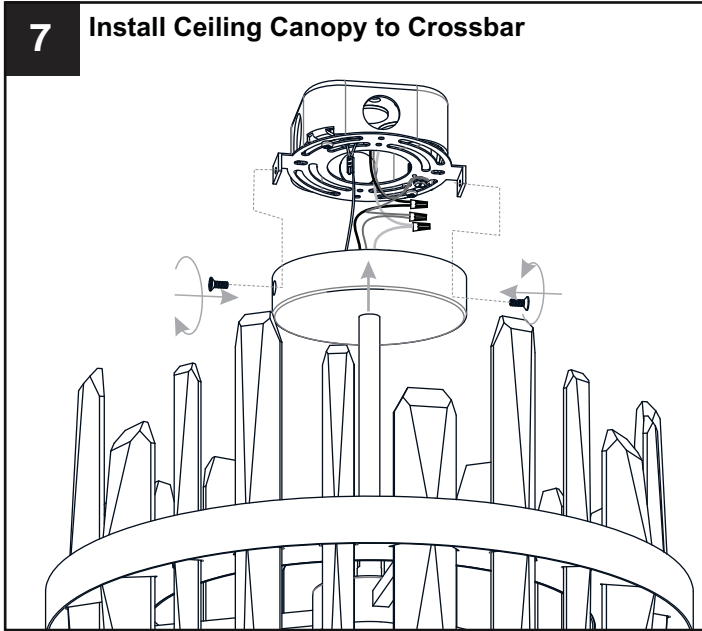
White wire from supply White from fixture

Black (or red) wire from supply Black from fixture

Ground wire from supply Ground wire from fixture

Green ground screw



7 Install Ceiling Canopy to Crossbar



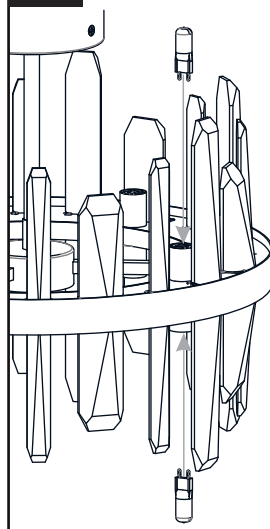
8 Install Bulbs

Install eight correct bulbs referring to fixture markings and/or labels for maximum wattage.

Recommended Bulb type (not included):

	40W MAX
BULB BASE	
TYPE	BULB TYPE
G9 BASE	TYPE G9 T4
	XENON CLEAR

* Do not touch the bulb with bare hands use a cloth or glove.

A line drawing showing the fixture with eight bulbs being installed. The bulbs are being inserted into the fixture's sockets. The fixture has a circular canopy and a crossbar. The bulbs are being inserted into the fixture's sockets. The fixture is shown from a side view, with the bulbs being inserted into the sockets. The bulbs are being inserted into the fixture's sockets. The fixture is shown from a side view, with the bulbs being inserted into the sockets.

Your installation is now complete! Restore electricity and save this sheet for future reference.