

SAFETY INFORMATION

Please read and understand this entire manual before attempting to assemble, install or operate the product.

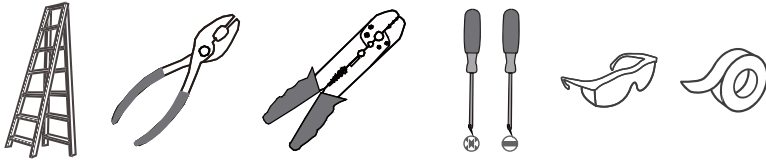
WARNING

- RISK OF ELECTRIC SHOCK - Before beginning installation, turn off electricity at the circuit breaker box or the main fuse box.
- RISK OF FIRE - Use bulbs specified by the markings and/or labels on the fixture.

CAUTION

- For your safety, read instructions completely before beginning installation.
- If in doubt about electrical installation, consult a licensed electrician.
- Turn off electricity to fixture and allow the bulbs to cool before replacing the bulb(s).
- Do not touch the bulb with bare hands use a cloth or glove.

TOOLS REQUIRED

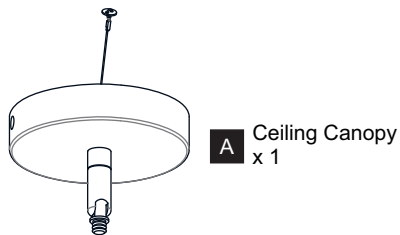


CARE AND MAINTENANCE

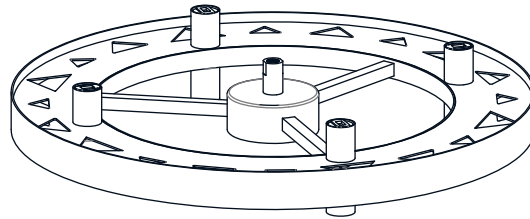
- Wipe clean using soft, dry cloth or static duster. Always avoid using harsh chemicals and abrasives to clean fixture as they may damage the finish.

If you need further assistance call Quoizel Customer Care at 1-800-645-3184 (9:00am - 5:00pm EST), or visit us on-line at www.quoise.com.

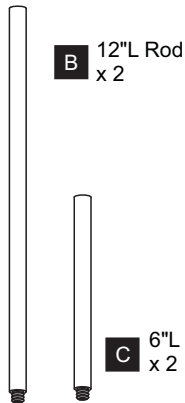
PACKAGE CONTENTS



A Ceiling Canopy
x 1

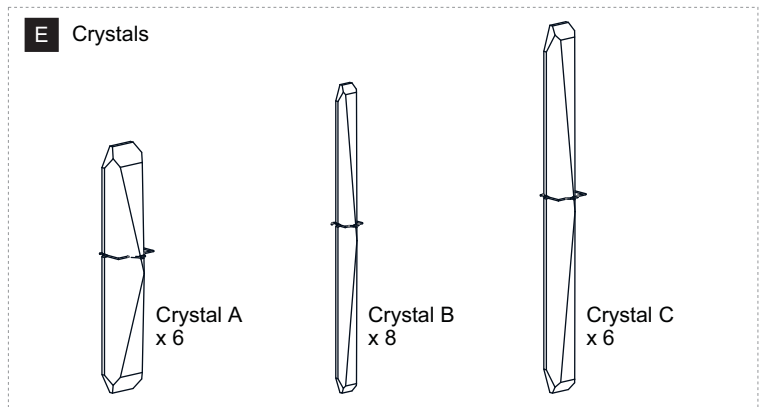


D Fixture Body
x 1



B 12" L Rod
x 2

C 6" L Rod
x 2



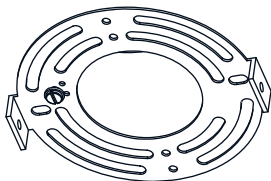
E Crystals

Crystal A
x 6

Crystal B
x 8

Crystal C
x 6

MOUNTING HARDWARE



AA Crossbar
x 1



BB Mounting Screw
x 2



CC Wire Connector
x 3



DD Outlet Box Screw
x 2

INSTALLATION

OPTION 1: PENDANT - PCRGL2816MBK

1 Install Rods

Optional Rods:

8 Feet Ceiling:
(2) 12"L Rods.

9 Feet Ceiling:
(2) 6"L Rods + (2) 12"L Rods.

2 Tighten Hex Nut Inside of Ceiling Canopy

3 Install Ceiling Canopy to Upper Rod

4 Install Crossbar

5 Install Lanyard

6 Wiring

White wire from supply White from fixture

Black (or red) wire from supply Black from fixture

Ground wire from supply Ground wire from fixture

Green ground screw

7 Install Ceiling Canopy to Crossbar

8 Install Crystals

Make sure long ends towards down while assembling.

Crystal Distributions

9 Install Bulbs

Install eight correct bulbs referring to fixture markings and/or labels for maximum wattage.

Recommended Bulb type (not included):

 BULB BASE TYPE G9 BASE	40W MAX BULB TYPE TYPE G9 T4 XENON CLEAR
-------------------------------	--

*** Do not touch the bulb with bare hands use a cloth or glove.**

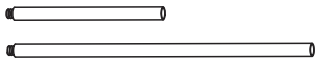
Your installation is now complete! Restore electricity and save this sheet for future reference.

INSTALLATION

IMPORTANT: This CONVERTIBLE fixture can be mounted as pendant light or semi-flush light. **DO NOT CUT SUPPLY WIRES** if you intend to use it as pendant light.

OPTION 2: SEMI-FLUSH - PCRGL1716MBK

* Set aside (1) 6"L Rod and (2) 12"L Rods since they are not required for the semi-flush installation.



1 Remove Swivel

2 Install 6"L Rod and Ceiling Canopy to Fixture Body

3 Install Crystals

Crystal Distributions

Short
Long

Make sure long ends towards down while assembling.

4 Install Crossbar

Outlet Box

QUOIZEL RECOMMENDS TWO PEOPLE FOR THE FOLLOWING INSTALLATIONS.

5 Install Lanyard

Button Stop
Lanyard

6 Wiring

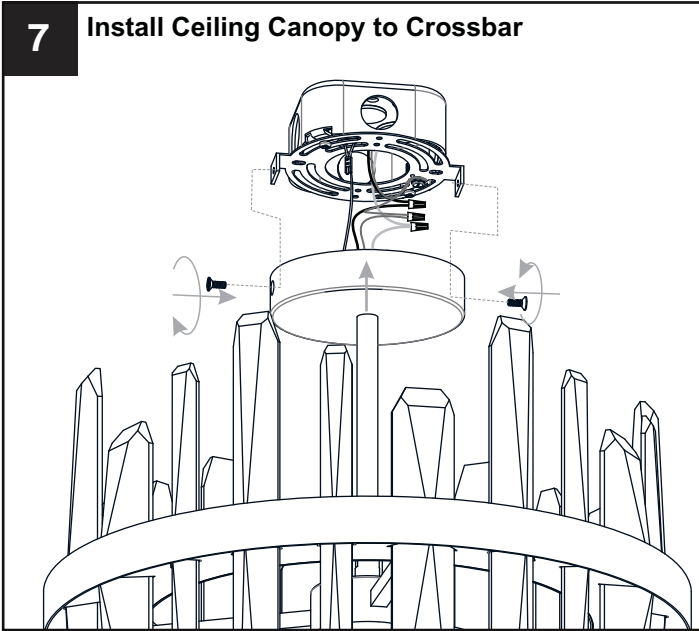
White wire from supply White from fixture

Black (or red) wire from supply Black from fixture

Ground wire from supply Ground wire from fixture

Green ground screw


7 Install Ceiling Canopy to Crossbar



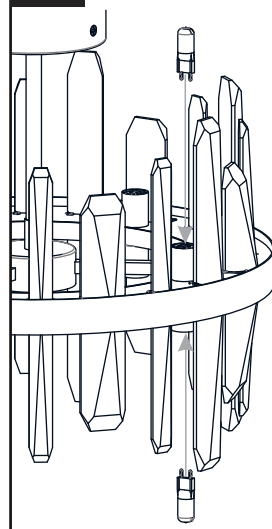
8 Install Bulbs

Install eight correct bulbs referring to fixture markings and/or labels for maximum wattage.

Recommended Bulb type (not included):

	40W MAX
BULB BASE TYPE G9 BASE	BULB TYPE TYPE G9 T4 XENON CLEAR

* Do not touch the bulb with bare hands use a cloth or glove.



Your installation is now complete! Restore electricity and save this sheet for future reference.