

**SAFETY INFORMATION**

Please read and understand this entire manual before attempting to assemble, install or operate the product.

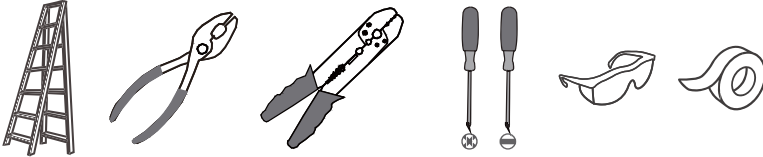
**WARNING**

- RISK OF ELECTRIC SHOCK - Before beginning installation, turn off electricity at the circuit breaker box or the main fuse box.
- RISK OF FIRE - Use bulbs specified by the markings and/or labels on the fixture.

**CAUTION**

- For your safety, read instructions completely before beginning installation.
- If in doubt about electrical installation, consult a licensed electrician.
- Turn off electricity to fixture before replacing the bulb(s).

**TOOLS REQUIRED**

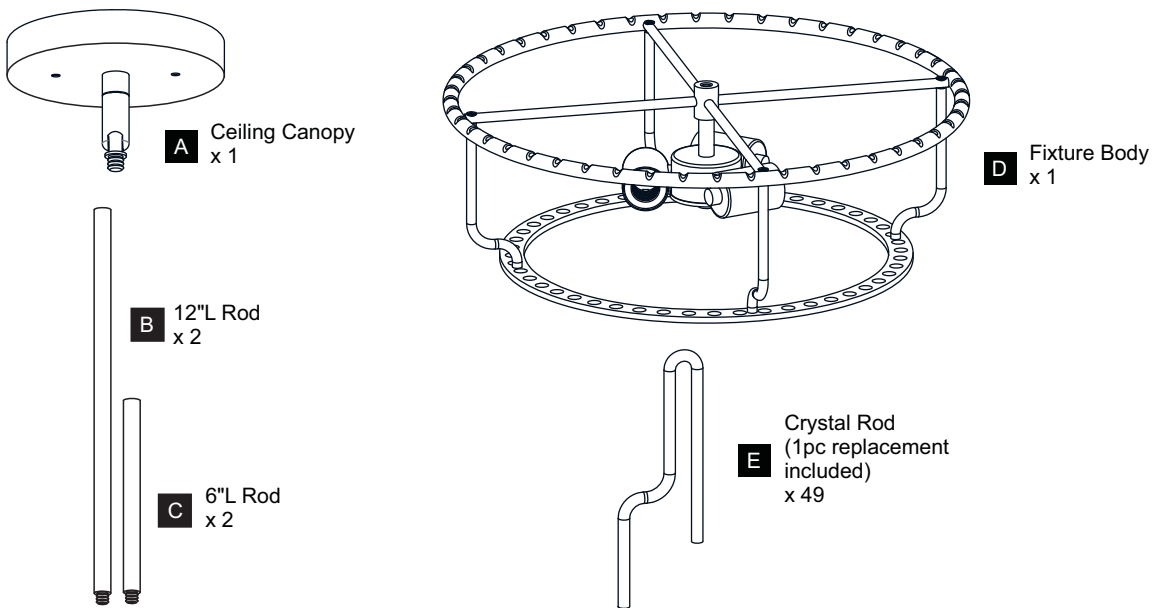


**CARE AND MAINTENANCE**

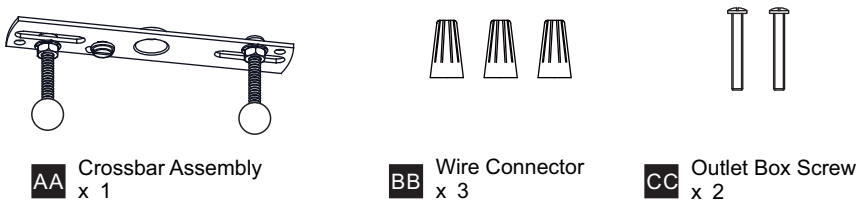
- Wipe clean using soft, dry cloth or static duster. Always avoid using harsh chemicals and abrasives to clean fixture as they may damage the finish.

If you need further assistance call Quozel Customer Care at 1-800-645-3184 (9:00am - 5:00pm EST), or visit us on-line at [www.quozel.com](http://www.quozel.com).

**PACKAGE CONTENTS**



**MOUNTING HARDWARE**



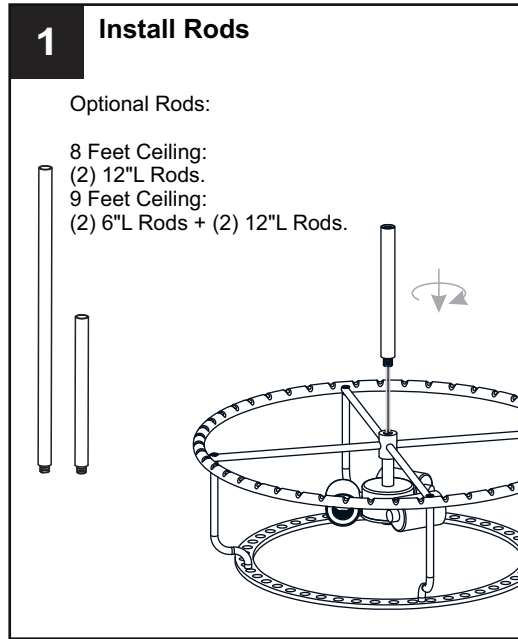
# INSTALLATION

## OPTION 1: PENDANT PCTAY2818C

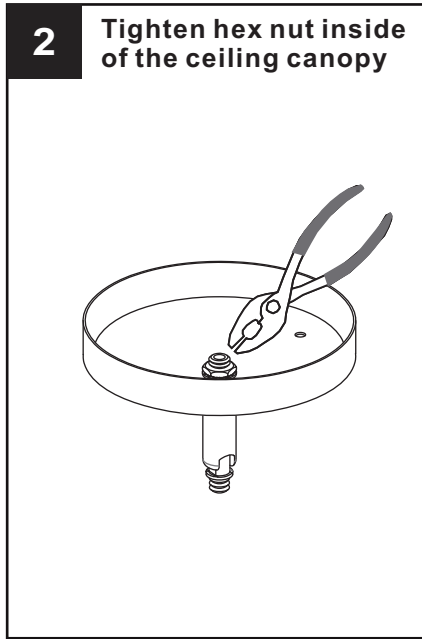
### 1 Install Rods

Optional Rods:

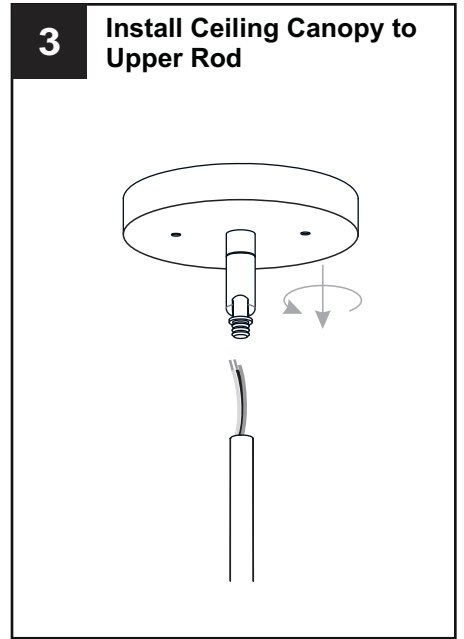
8 Feet Ceiling:  
(2) 12"L Rods.  
9 Feet Ceiling:  
(2) 6"L Rods + (2) 12"L Rods.



### 2 Tighten hex nut inside of the ceiling canopy

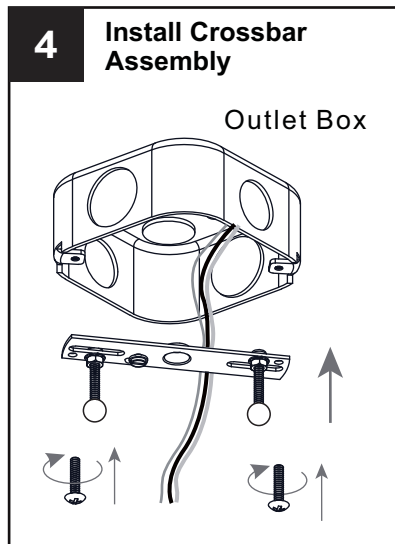


### 3 Install Ceiling Canopy to Upper Rod

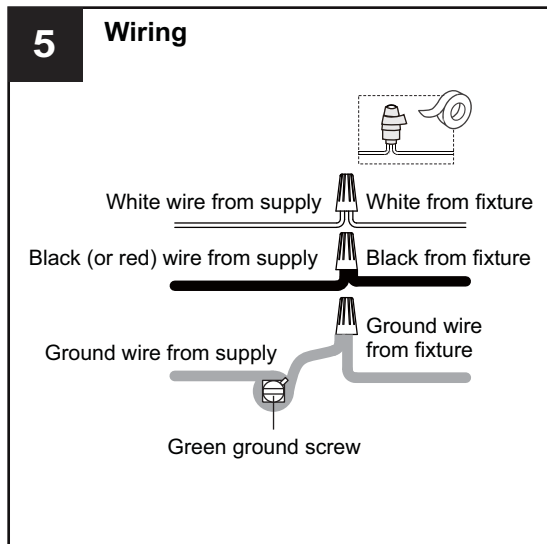


### 4 Install Crossbar Assembly

Outlet Box



### 5 Wiring



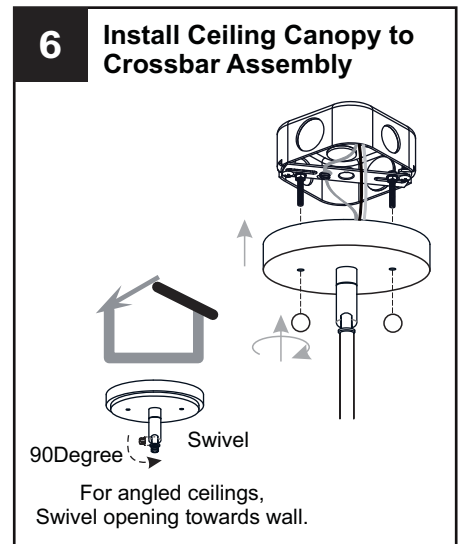
White wire from supply      White from fixture

Black (or red) wire from supply      Black from fixture

Ground wire from supply      Ground wire from fixture

Green ground screw

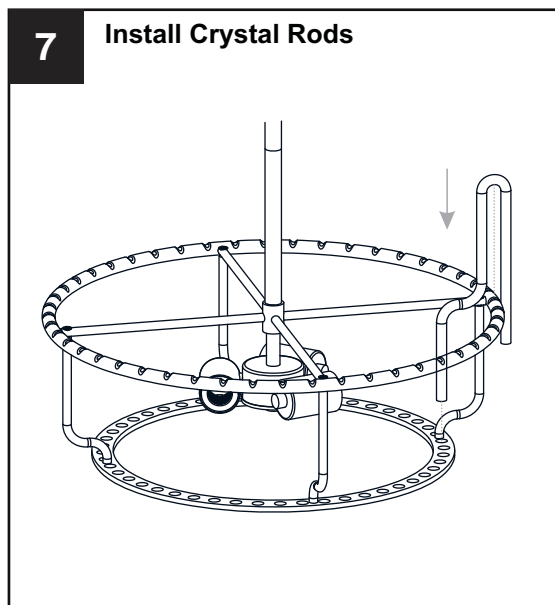
### 6 Install Ceiling Canopy to Crossbar Assembly



90Degree Swivel

For angled ceilings,  
Swivel opening towards wall.

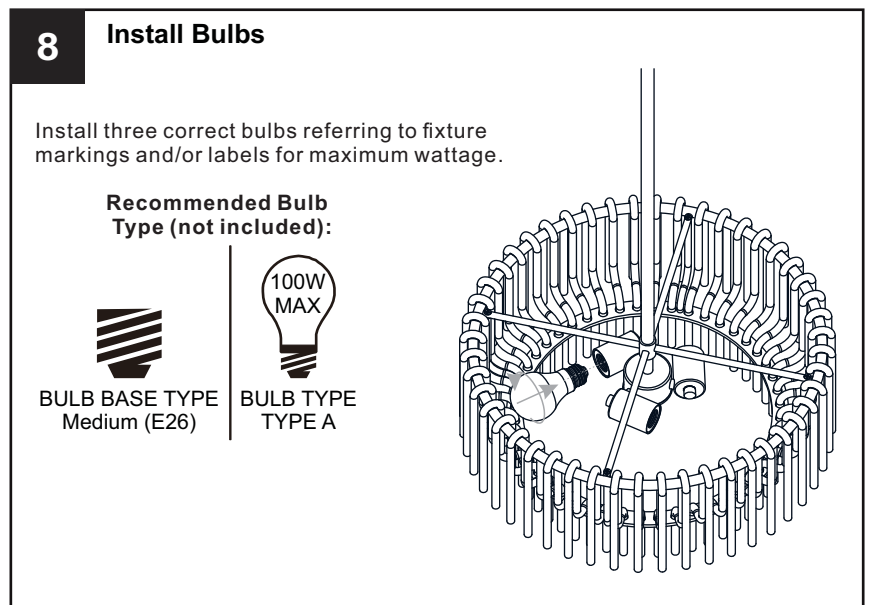
### 7 Install Crystal Rods





### 8 Install Bulbs

Install three correct bulbs referring to fixture markings and/or labels for maximum wattage.

**Recommended Bulb Type (not included):**



 BULB BASE TYPE  
Medium (E26)

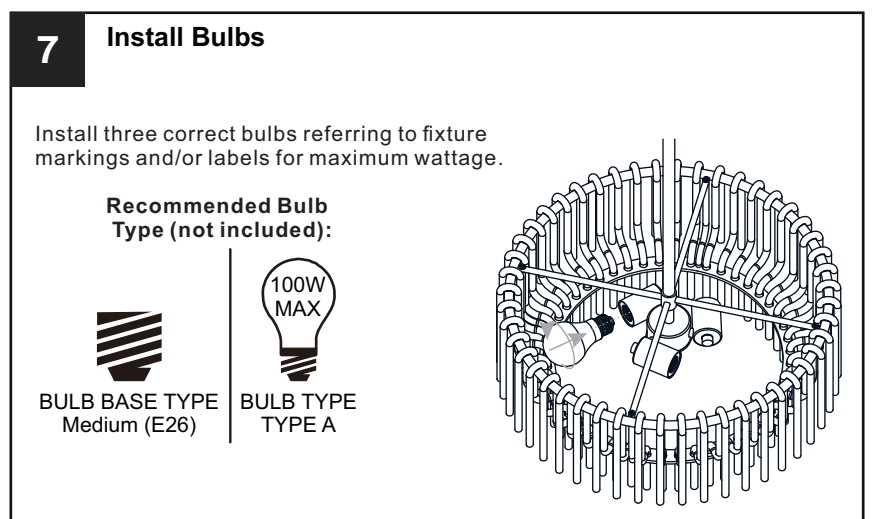
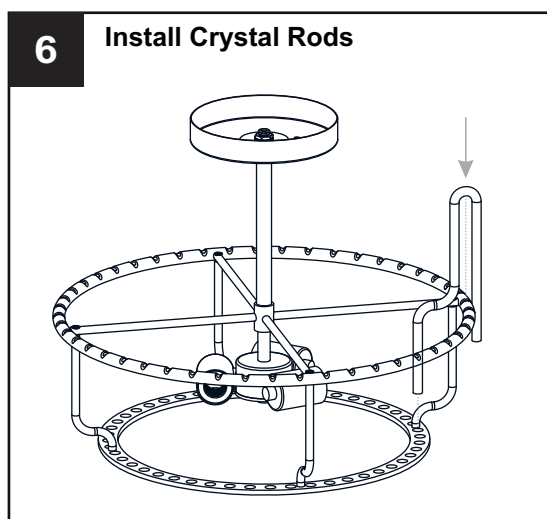
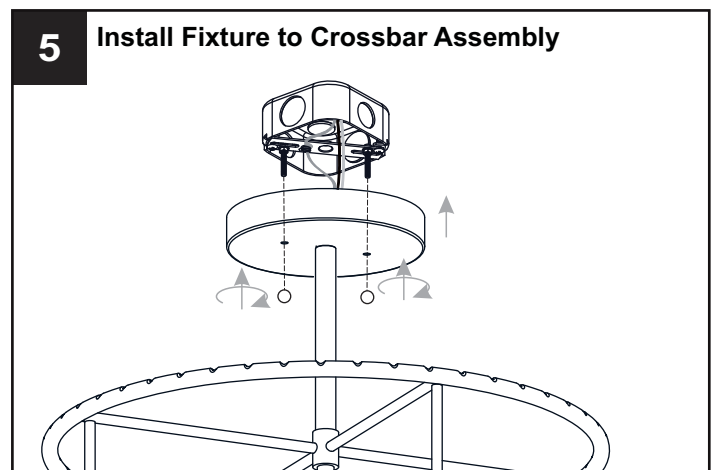
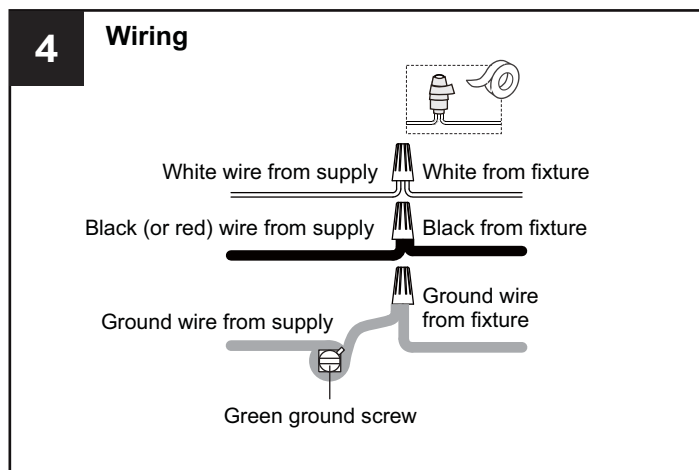
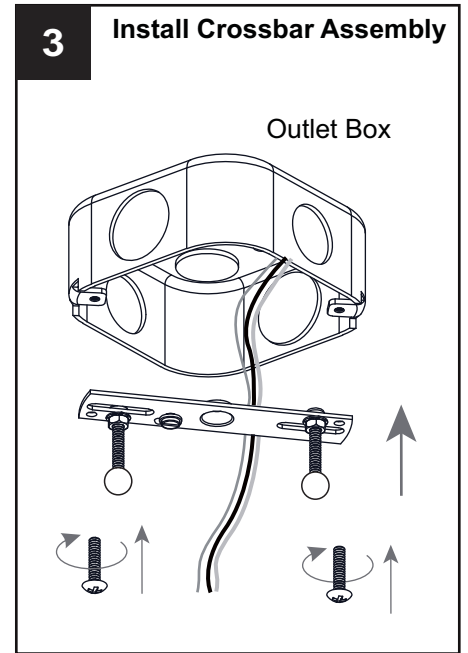
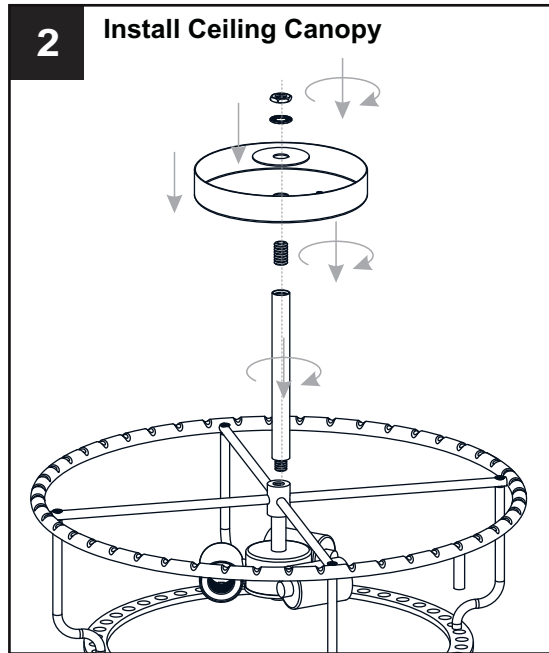
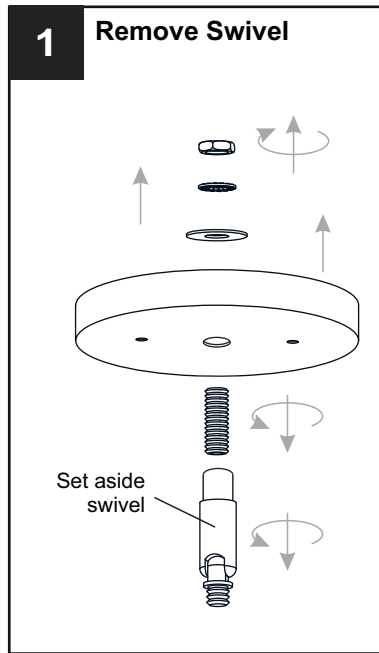
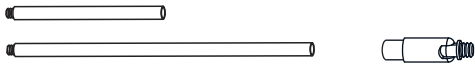
 100W  
MAX

BULB TYPE  
TYPE A

# INSTALLATION

## OPTION 2: SEMI-FLUSH PCTAY1718C

\* Set aside the (2) 6"L Rods and (2) 12"L Rods since they are not required for the semi-flush installation.



Your installation is now complete! Restore electricity and save this sheet for future reference.