

Please go to www.quezel.com for product cleaning tips. Go to the **Care + Maintenance** selection.

Tools Required: None.

Light Source: (1) A19 Medium Base bulb 100W Maximum.

Estimated Assembly Time: 15-20 minutes

Preparation: Identify and inspect all parts before beginning installation. Check package content list and diagrams below to be sure all parts are present. If any parts are missing or damaged, do not attempt to assemble, install, or operate the fixture. Missing Parts? Contact your original place of purchase.

⚠ Warnings and Cautions

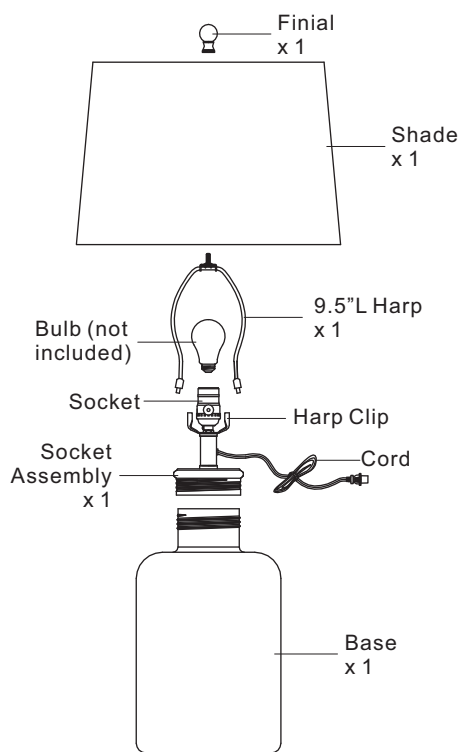
Turn off electricity at circuit breaker or main fuse box before installation. Consult a licensed electrician if in doubt.

These instructions are provided for your safety. It is very important you read them completely before installing the fixture. We strongly recommend that a licensed, professional electrician perform the installation.

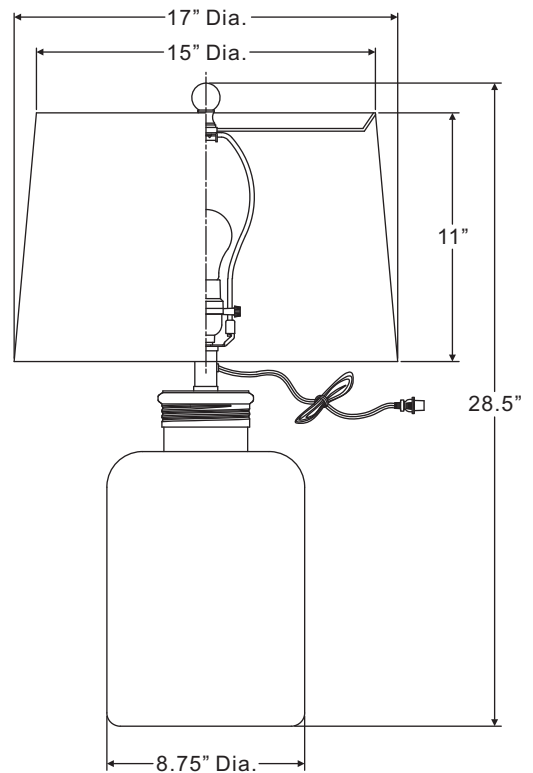
Disconnect fixture from power source before replacing bulbs. Make sure bulbs are given sufficient time to cool before removal.

- A. Thread the Socket Assembly onto the top end of the Base and hand tighten until snug.
- B. Place the Harp by pressing the ends of the Harp into the Harp Clips.
- C. Place the Shade onto the top end of the Harp and secure with the Finial. Hand tighten until snug.
- D. Insert bulb onto socket and screw snugly into place.

Your fixture is now assembled and ready to use. Enjoy!



LLB68190I
FINISH: OIL RUBBED BRONZE



NOTE: ALL DIMENSIONS ARE ROUNDED UP TO THE NEAREST 1/4"