

SAFETY INFORMATION

Please read and understand this entire manual before attempting to assemble, install or operate the product.

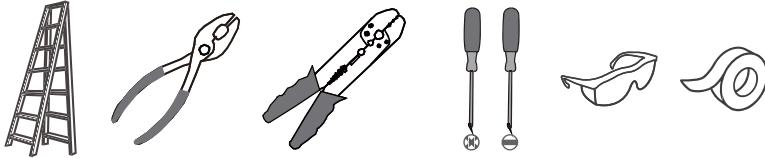
WARNING

- RISK OF ELECTRIC SHOCK - Before beginning installation, turn off electricity at the circuit breaker box or the main fuse box.
- RISK OF FIRE - Use bulbs specified by the markings and/or labels on the fixture.

CAUTION

- For your safety, read instructions completely before beginning installation.
- If in doubt about electrical installation, consult a licensed electrician.
- Turn off electricity to fixture before replacing the bulb(s).

TOOLS REQUIRED

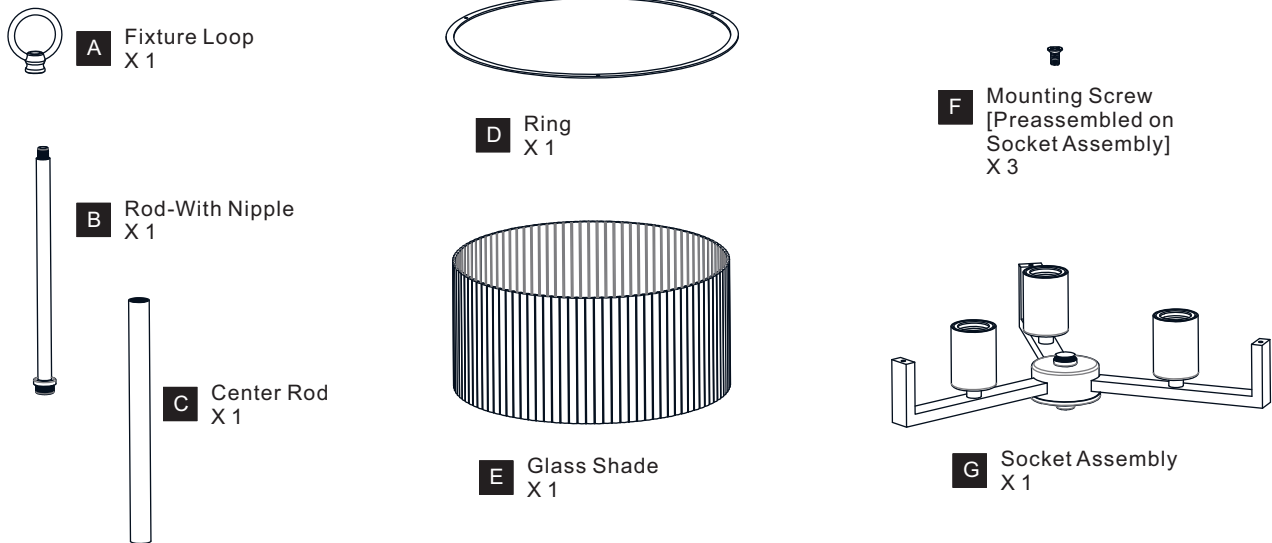


CARE AND MAINTENANCE

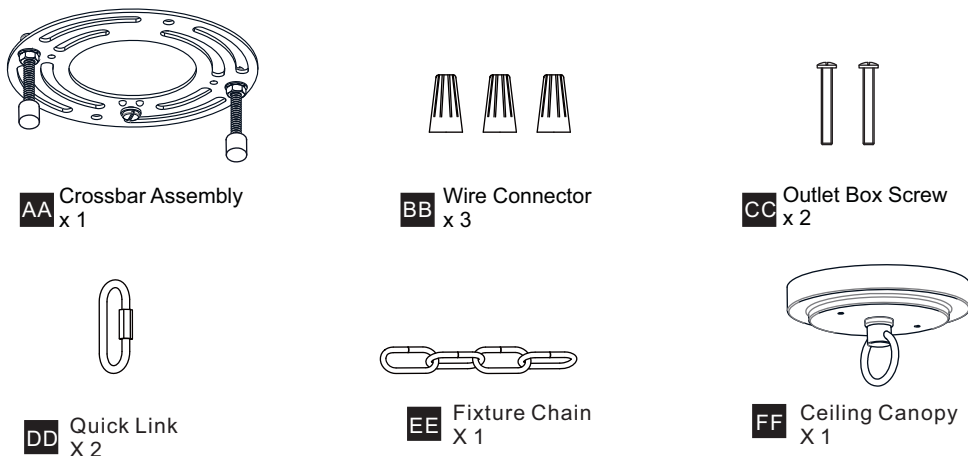
- Wipe clean using soft, dry cloth or static duster. Always avoid using harsh chemicals and abrasives to clean fixture as they may damage the finish.

If you need further assistance call Quozel Customer Care at 1-800-645-3184 (9:00am - 5:00pm EST), or visit us on-line at www.quezel.com.

PACKAGE CONTENTS



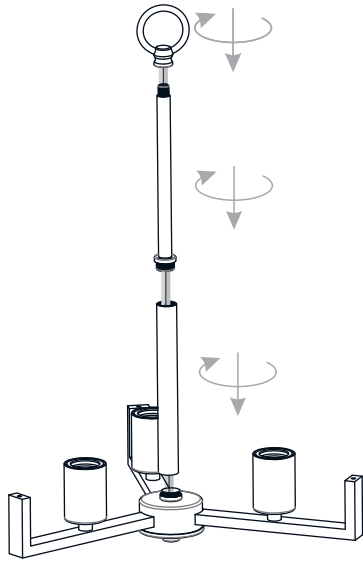
MOUNTING HARDWARE



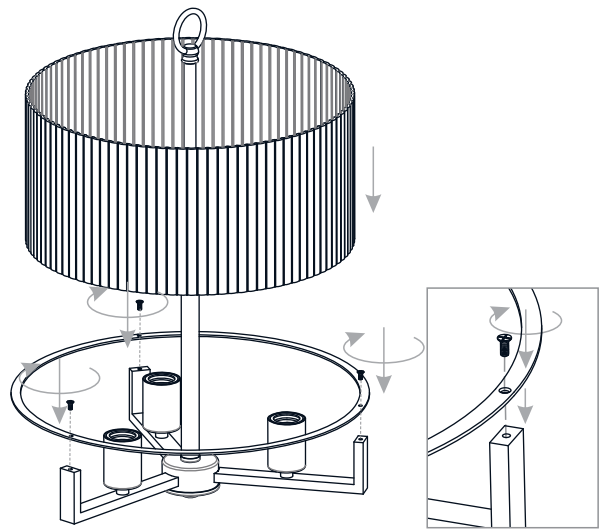
INSTALLATION

OPTION 1: PENDANT - SEY2815BN, SEY2815MBK

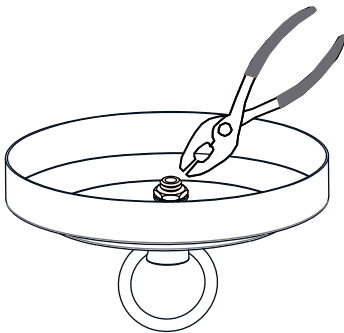
1 Install Center Rod, Rod-With Nipple and Fixture Loop



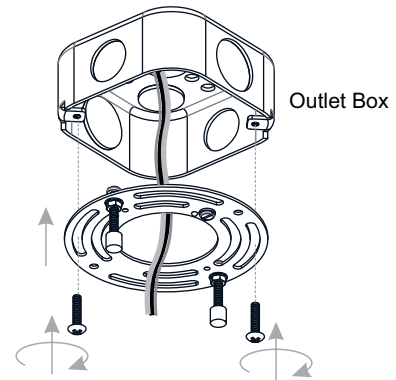
2 Install Ring and Glass Shade



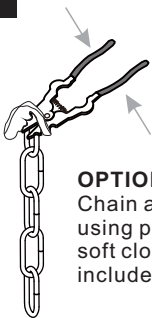
3 Tighten hex nut inside of the Ceiling Canopy



4 Install Crossbar Assembly



5 Install Fixture Chain



OPTIONAL: Adjust Chain as desired, using pliers and soft cloth (neither included).

Suggested chain length for Ceiling height:
8 feet ceiling: use 8 links of chain and 2 quick links
9 feet ceiling: use 18 links of chain and 2 quick links
10 feet ceiling: use 28 links of chain and 2 quick links.

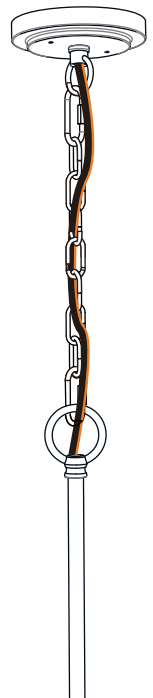


Ceiling Canopy

* Ceiling Canopy shape is varies depends on item purchased.

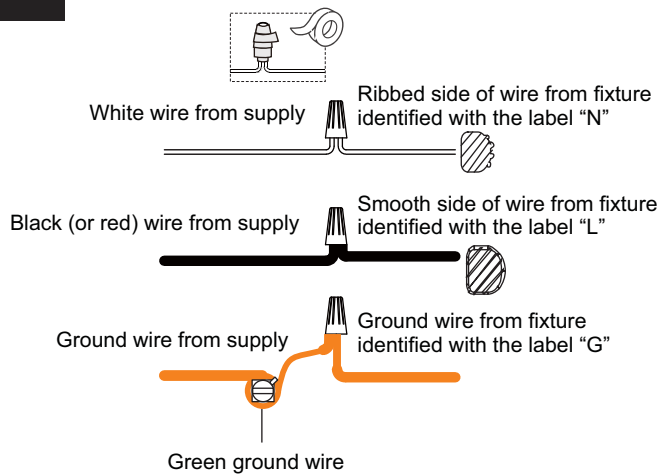
6 Pull Supply Wires

Pull the supply wires with ground wire through the chain alternate links.

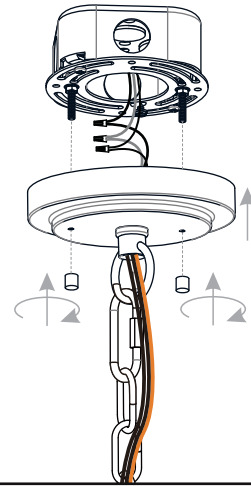


INSTALLATION

7 Wiring



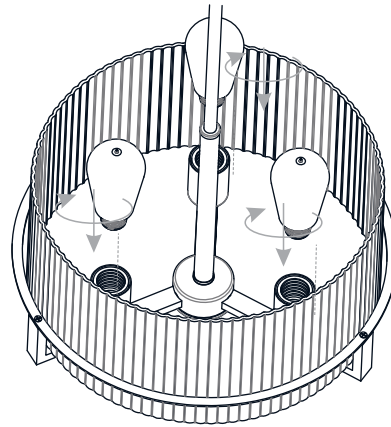
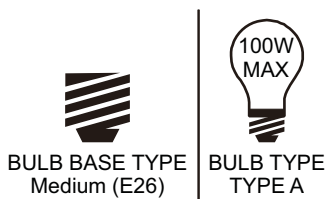
8 Install Ceiling Canopy to Crossbar Assembly



9 Install Bulbs

Install three correct bulbs referring to fixture markings and/or labels for maximum wattage.

Recommended Bulb type (not included):



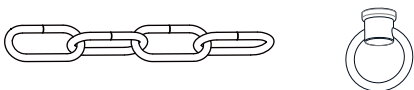
Your installation is now complete! Restore electricity and save this sheet for future reference.

INSTALLATION

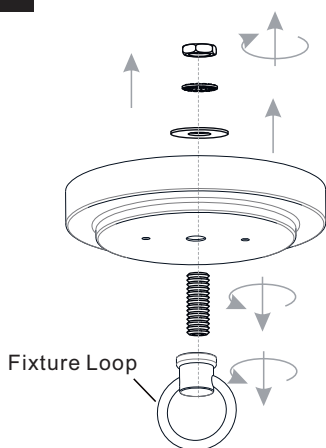
IMPORTANT: This CONVERTIBLE fixture can be mounted as pendant light or semi-flush light. **DO NOT CUT SUPPLY WIRES** if you intend to use it as pendant light.

OPTION 2: SEMI-FLUSH - SEY1715BN, SEY1715MBK

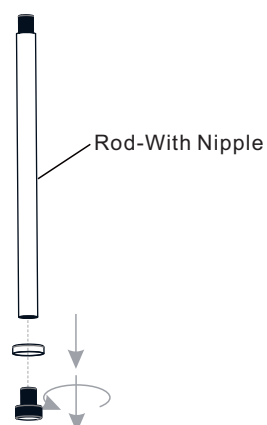
* Set aside Fixture Loop and Fixture Chain since they are not required for the semi-flush installation.



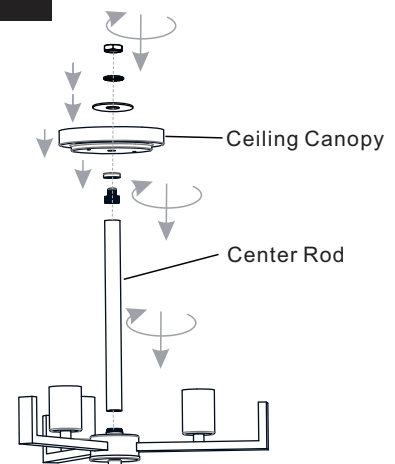
1 Remove Fixture Loop



2 Remove Rod-With Nipple

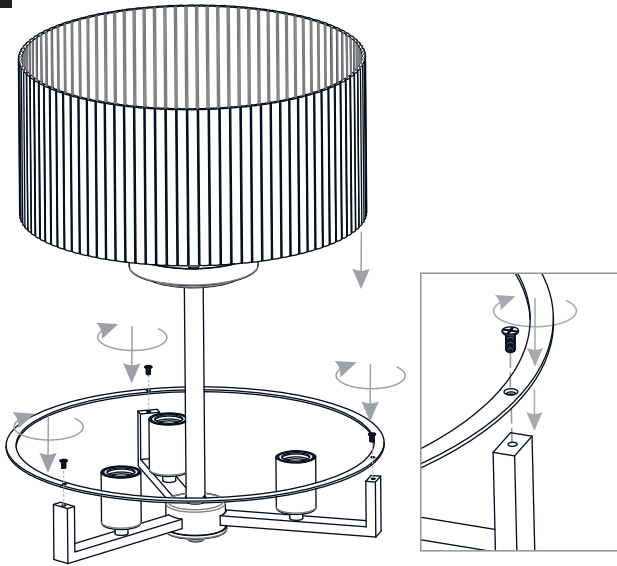


3 Install Ceiling Canopy

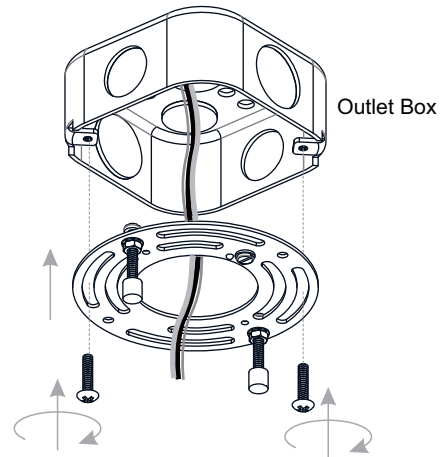


INSTALLATION

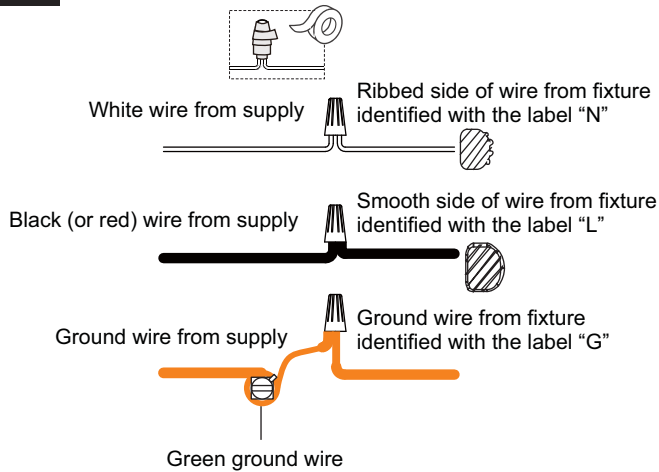
4 Install Ring and Glass Shade



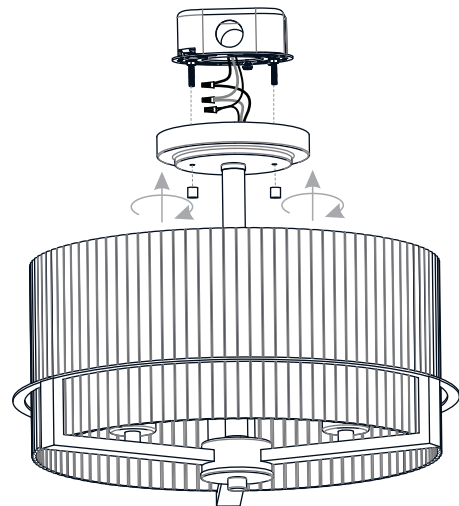
5 Install Crossbar Assembly



6 Wiring



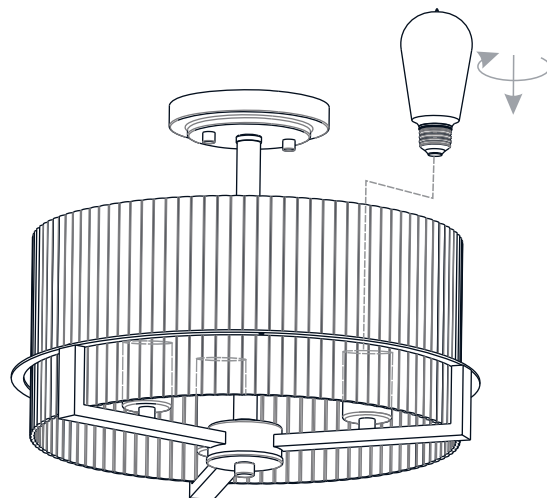
7 Install Ceiling Canopy to Crossbar Assembly



8 Install Bulbs

Install three correct bulbs referring to fixture markings and/or labels for maximum wattage.

Recommended Bulb type (not included):



Your installation is now complete! Restore electricity and save this sheet for future reference.