

SAFETY INFORMATION

Please read and understand this entire manual before attempting to assemble, install or operate the product.

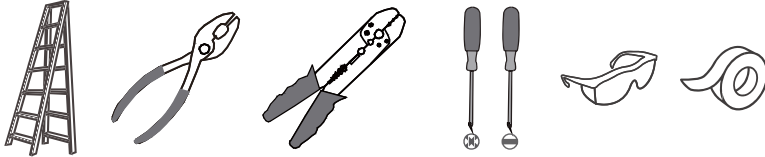
WARNING

- RISK OF ELECTRIC SHOCK - Before beginning installation, turn off electricity at the circuit breaker box or the main fuse box.
- RISK OF FIRE - Use bulbs specified by the markings and/or labels on the fixture.

CAUTION

- For your safety, read instructions completely before beginning installation.
- If in doubt about electrical installation, consult a licensed electrician.
- Turn off electricity to fixture before replacing the bulb(s).

TOOLS REQUIRED

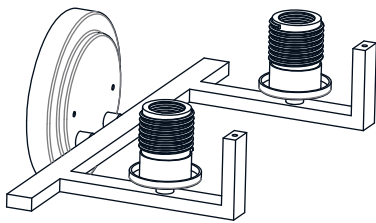


CARE AND MAINTENANCE

- Wipe clean using soft, dry cloth or static duster. Always avoid using harsh chemicals and abrasives to clean fixture as they may damage the finish.

If you need further assistance call Quozel Customer Care at 1-800-645-3184 (9:00am - 5:00pm EST), or visit us on-line at www.quozel.com.

PACKAGE CONTENTS



A Fixture Body
x 1



C Glass Shade
X 2



E Socket Collar
[Preassembled on
Fixture Body]
X 2



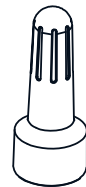
B Ring
X 2



D Mounting Screw
[Preassembled on
Fixture Body]
X 2

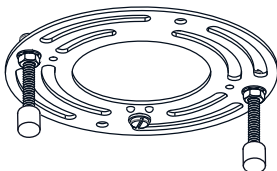


F Steel Collar
[Preassembled on
Fixture Body]
X 2



G Socket Collar Tool
x 1

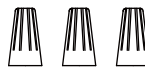
MOUNTING HARDWARE



AA Crossbar Assembly
x 1



BB Alternate
Mounting Screw
x 2



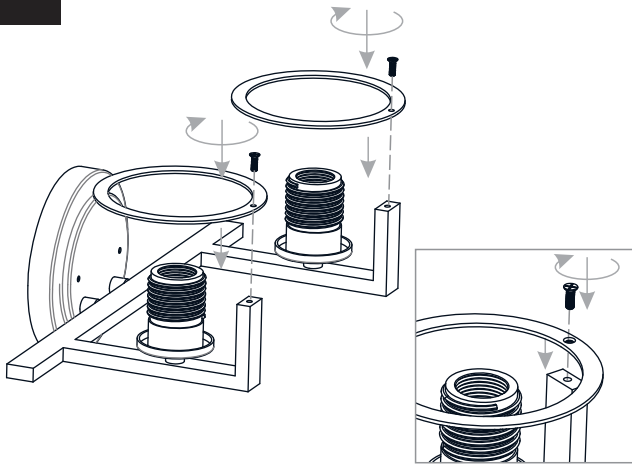
CC Wire Connector
x 3



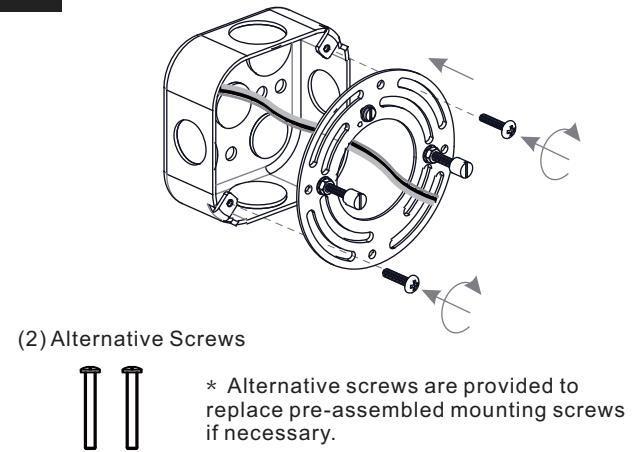
DD Outlet Box Screw
x 2

INSTALLATION

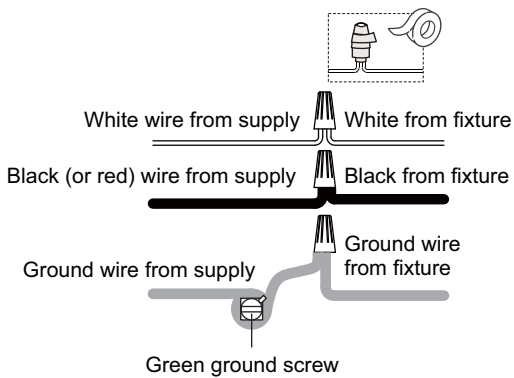
1 Install Rings



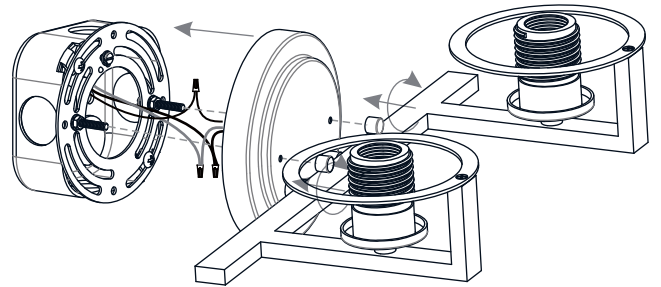
2 Install Crossbar Assembly



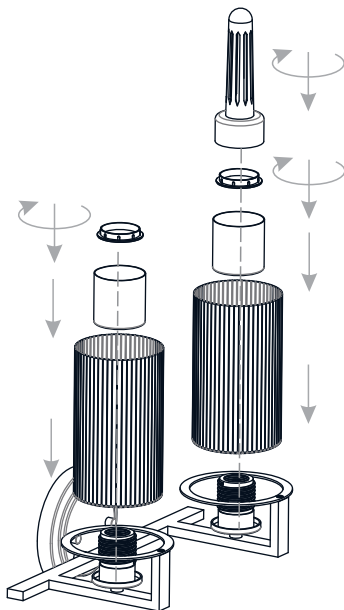
3 Wiring



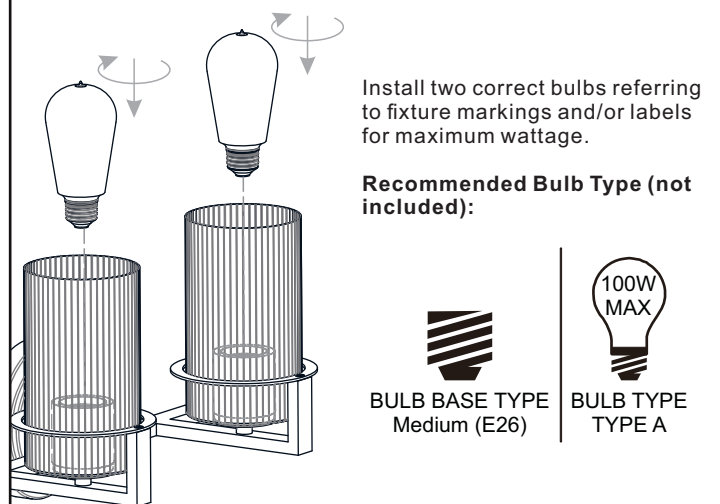
4 Install Fixture Body



5 Install Glass Shades



6 Install Bulbs



Your installation is now complete! Restore electricity and save this sheet for future reference.