

SAFETY INFORMATION

Please read and understand this entire manual before attempting to assemble, install or operate the product.

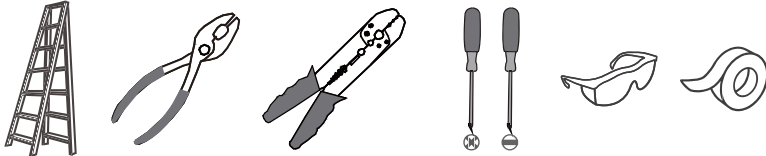
WARNING

- RISK OF ELECTRIC SHOCK - Before beginning installation, turn off electricity at the circuit breaker box or the main fuse box.
- RISK OF FIRE - Use bulbs specified by the markings and/or labels on the fixture.

CAUTION

- For your safety, read instructions completely before beginning installation.
- If in doubt about electrical installation, consult a licensed electrician.
- Turn off electricity to fixture before replacing the bulb(s).

TOOLS REQUIRED

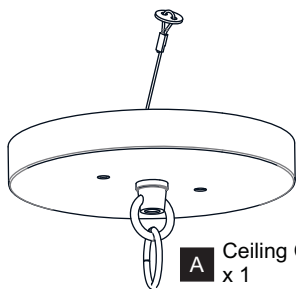


CARE AND MAINTENANCE

- Wipe clean using soft, dry cloth or static duster. Always avoid using harsh chemicals and abrasives to clean fixture as they may damage the finish.

If you need further assistance call Quozel Customer Care at 1-800-645-3184 (9:00am - 5:00pm EST), or visit us on-line at www.quezel.com.

PACKAGE CONTENTS



A Ceiling Canopy
x 1



D Fixture Loop
x 1



G Center Rod
x 1



B 12"L Rod
x 2



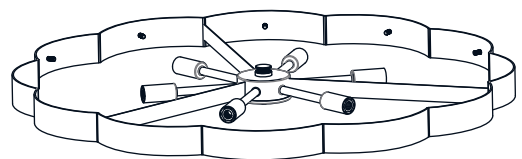
E Lock Screw
(preassembled on
Fixture Body)
x 12



C 6"L Rod
x 2

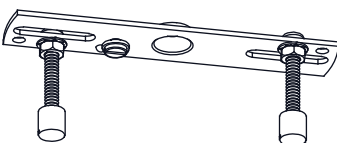


F Glass Panel
x 12



H Fixture Body
x 1

MOUNTING HARDWARE



AA Crossbar Assembly
x 1



BB Wire Connector
x 3



CC Outlet Box Screw
x 2

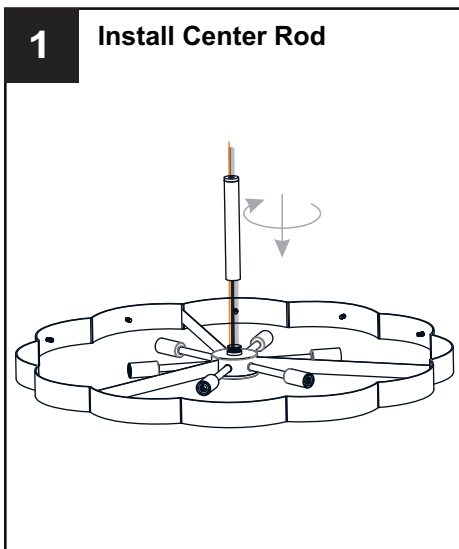


DD Quick Link
x 1

INSTALLATION

OPTION 1: PENDANT - SWE2830MBK and SWE2830SGD

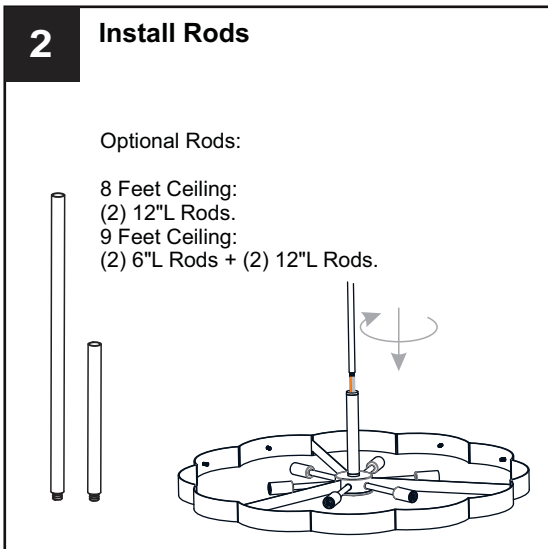
1 Install Center Rod



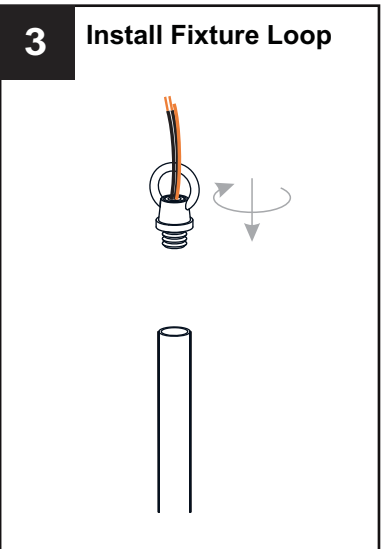
2 Install Rods

Optional Rods:

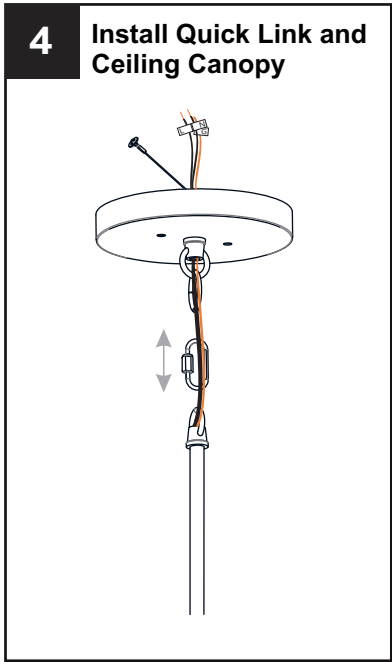
- 8 Feet Ceiling: (2) 12" L Rods.
- 9 Feet Ceiling: (2) 6" L Rods + (2) 12" L Rods.



3 Install Fixture Loop

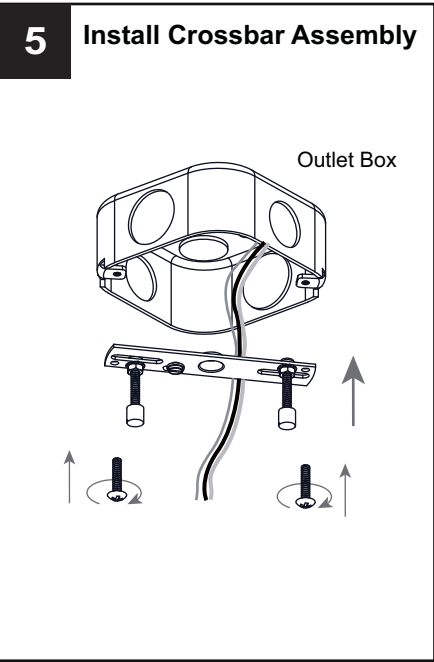


4 Install Quick Link and Ceiling Canopy



5 Install Crossbar Assembly

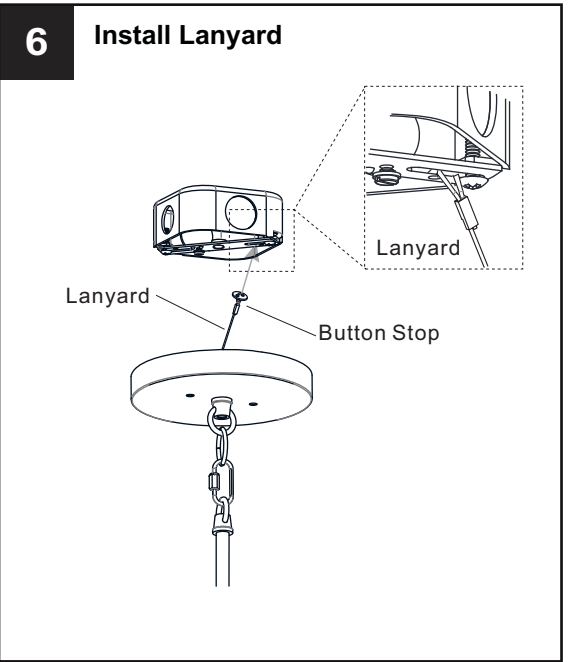
Outlet Box



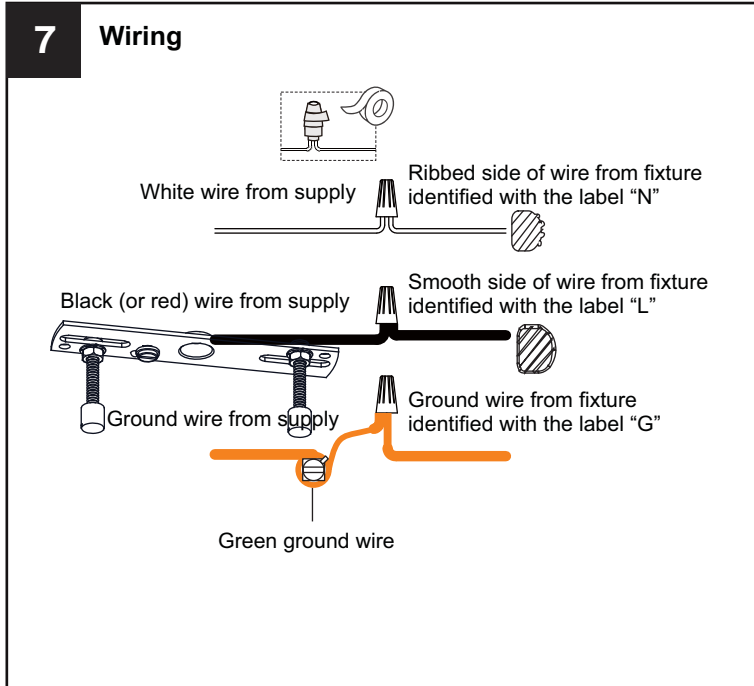
6 Install Lanyard

Lanyard

Button Stop



7 Wiring



White wire from supply

Ribbed side of wire from fixture identified with the label "N"

Black (or red) wire from supply

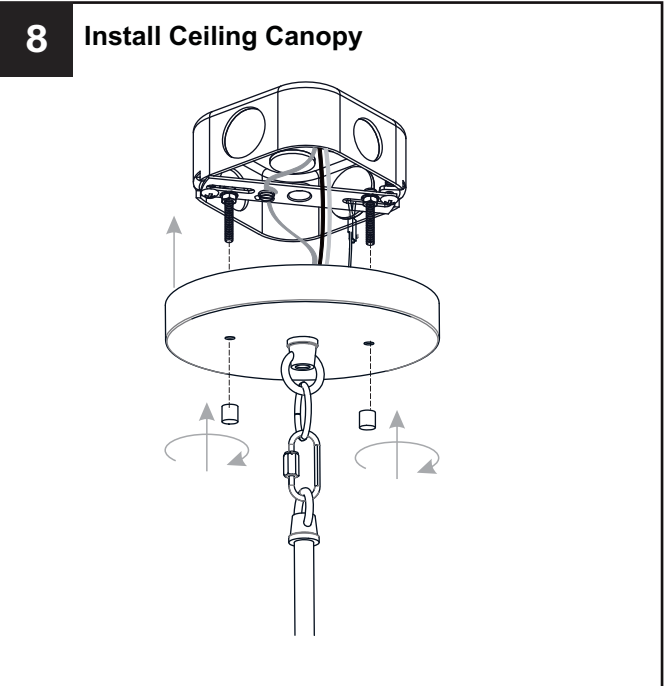
Smooth side of wire from fixture identified with the label "L"

Ground wire from supply

Ground wire from fixture identified with the label "G"

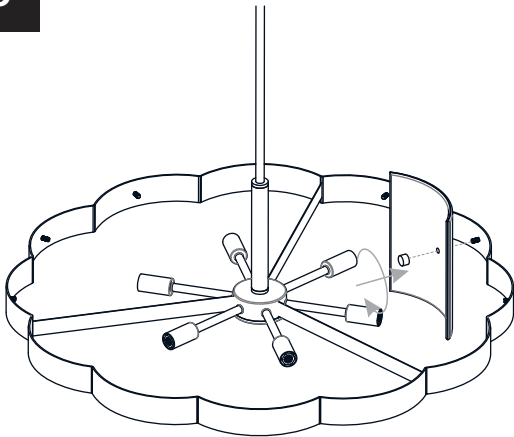
Green ground wire

8 Install Ceiling Canopy

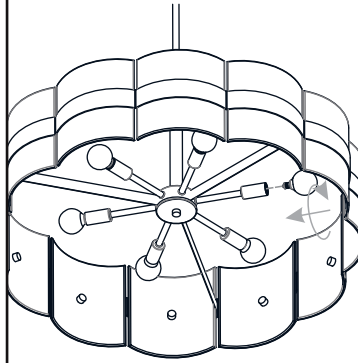


INSTALLATION

9 Install Glass Panels

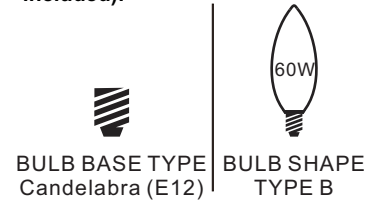


10 Install Bulbs



Install six correct bulbs referring to fixture markings and/or labels for maximum wattage.

Recommended Bulb type (not included):



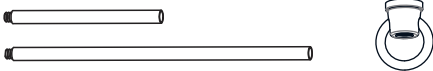
Your installation is now complete! Restore electricity and save this sheet for future reference.

INSTALLATION

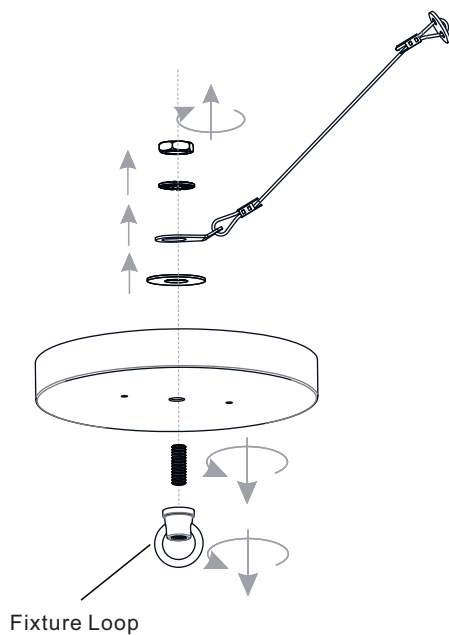
IMPORTANT: This CONVERTIBLE fixture can be mounted as pendant light or semi-flush light. **DO NOT CUT SUPPLY WIRES** if you intend to use it as pendant light.

OPTION 2: SEMI-FLUSH - SWE1730MBK and SWE1730SGD

* Set aside (2) 6"L Rods and (2) 12"L Rods, Fixture Loop since they are not required for the semi-flush installation.

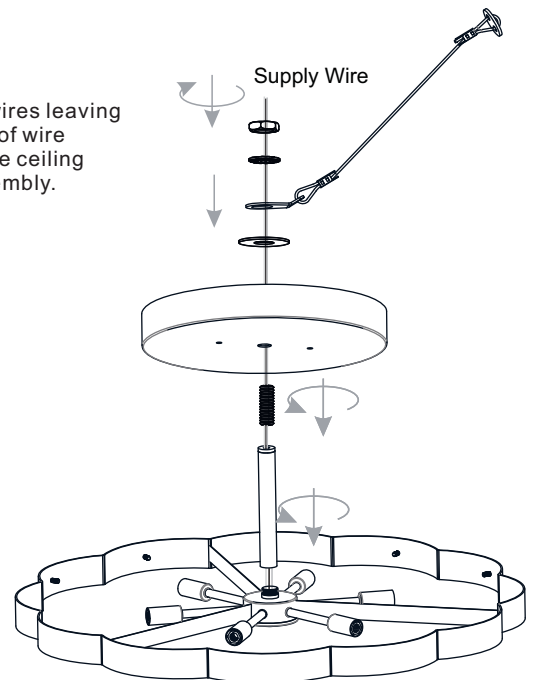


1 Remove Fixture Loop



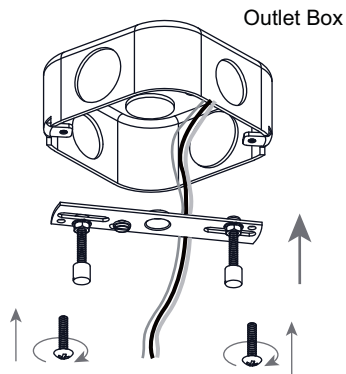
2 Install Ceiling Canopy

* Cut the supply wires leaving approximately 8" of wire extending from the ceiling canopy after assembly.

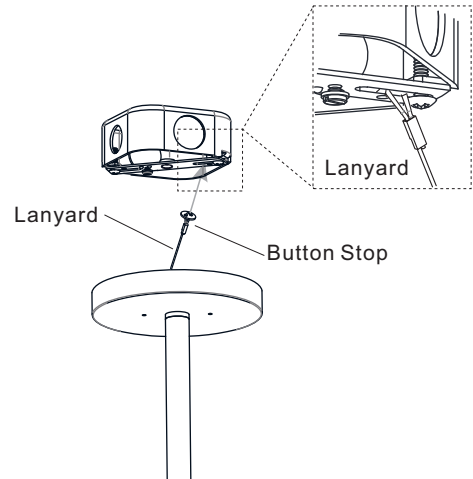


INSTALLATION

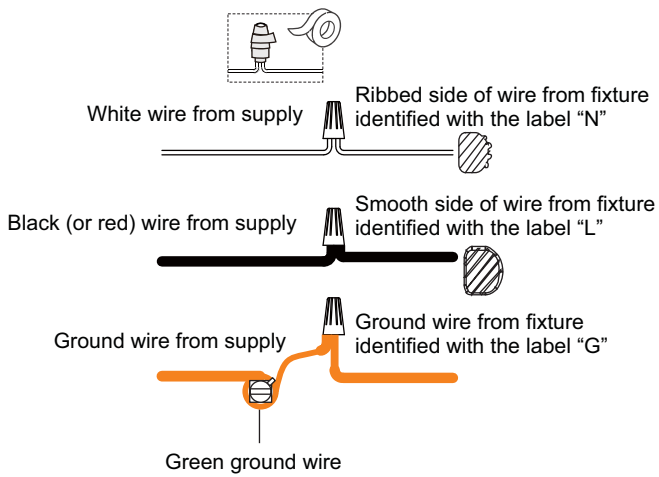
3 Install Crossbar Assembly



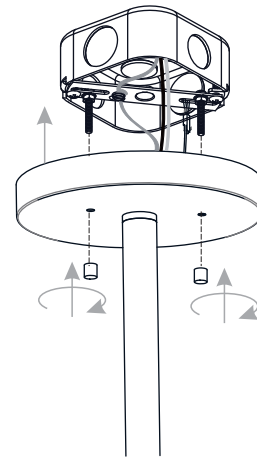
4 Install Lanyard



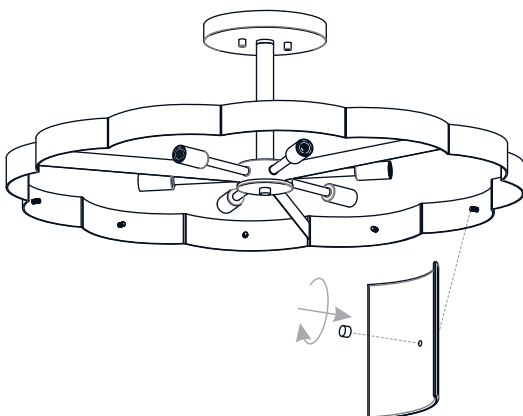
5 Wiring



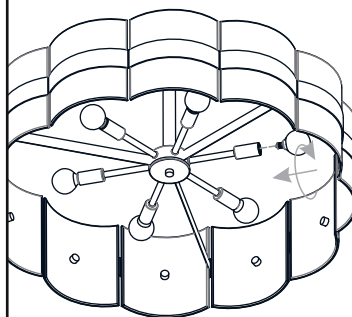
6 Install Ceiling Canopy



7 Install Glass Panels




8 Install Bulbs



Install six correct bulbs referring to fixture markings and/or labels for maximum wattage.

Recommended Bulb type (not included):


BULB BASE TYPE
Candelabra (E12)


BULB SHAPE
TYPE B

Your installation is now complete! Restore electricity and save this sheet for future reference.