

Please go to www.quoizel.com for product cleaning tips. Go to the **Care + Maintenance** selection.

Tools Required: Flathead screwdriver, Phillips screwdriver, pliers, wire cutters, wire strippers, electrical tape, safety glasses.

Light Source: (1) Medium Base Type-A Bulb (not supplied), Maximum 100W.

Estimated Assembly Time: 20-30 minutes

Preparation: Identify and inspect all parts before beginning installation. Check package content list and diagrams below to be sure all parts are present. If any parts are missing or damaged, do not attempt to assemble, install, or operate the fixture. Contact customer service for replacement parts.



Warnings and Cautions

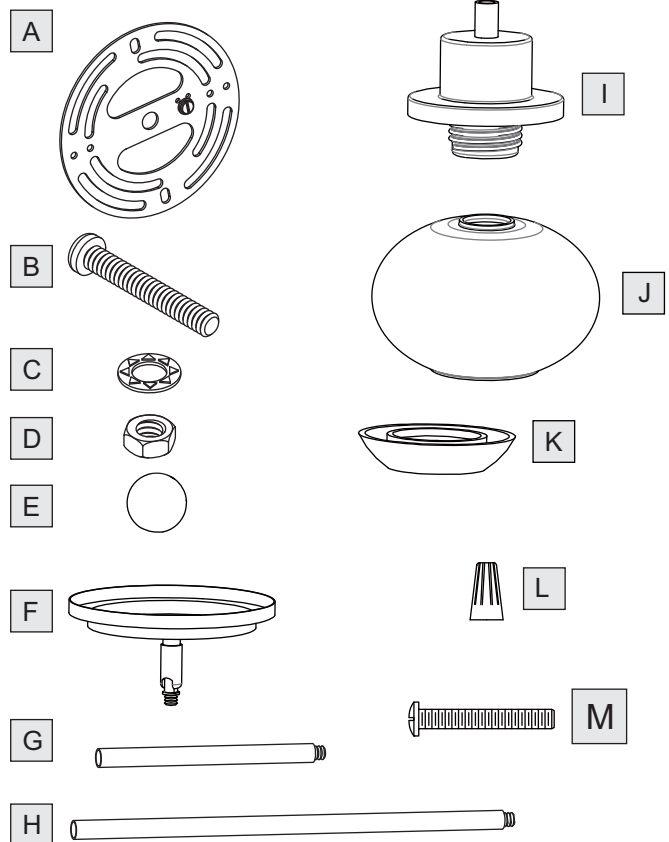
Turn off electricity at circuit breaker or main fuse box before installation. Consult a licensed electrician if in doubt.

These instructions are provided for your safety. It is very important you read them completely before installing the fixture. We strongly recommend that a licensed, professional electrician perform the installation.

Disconnect fixture from power source before replacing bulbs. Make sure bulbs are given sufficient time to cool before removal. Do not subject glass parts to any shock while in operation or shattering may result.

Package Contents

Part	Description	Quantity
A	Crossbar	1 pc.
B	Mounting Screw	2 pcs.
C	Lock Washer	2 pcs.
D	Hex Nut	2 pcs.
E	Mounting Ball	2 pcs.
F	Ceiling Canopy	1 pc.
G	6" Rod	2 pcs.
H	12" Rod	2 pcs.
I	Socket Assembly	1 pc.
J	Shade	1 pc.
K	Socket Collar	1 pc.
L	Wire Connector	3 pcs.
M	Outlet Box Screw	2 pcs.

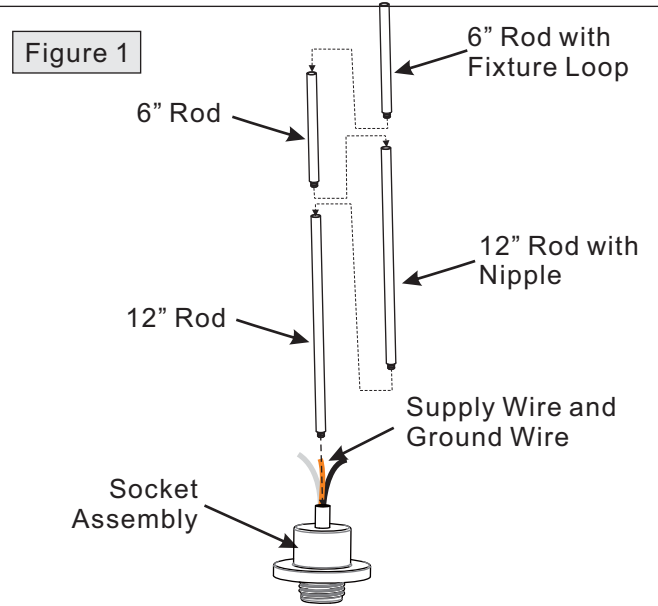


Thank you for purchasing a Quoizel product.

Need assistance with parts or assembly? Call Quoizel customer service at 1-800-645-3184 (9:00am - 5:00pm EST) or visit us on-line at www.quoizel.com

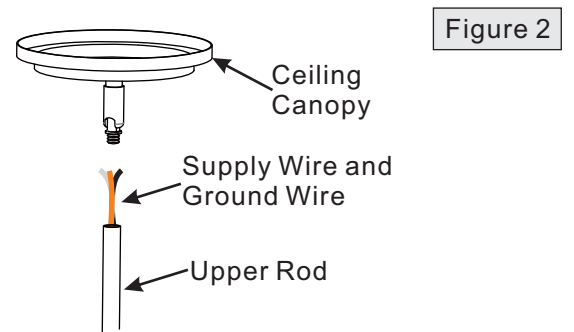
STEP 1 – Assemble Rods

- A. Determine the Rods (G/H) to be assembled to the Socket Assembly (I) according to your hanging height.
- B. Pass Supply Wires and Ground Wire through the chosen Rods (G/H) and then thread the chosen Rods (G/H) and the Socket Assembly (I) together. Hand tighten until snug.



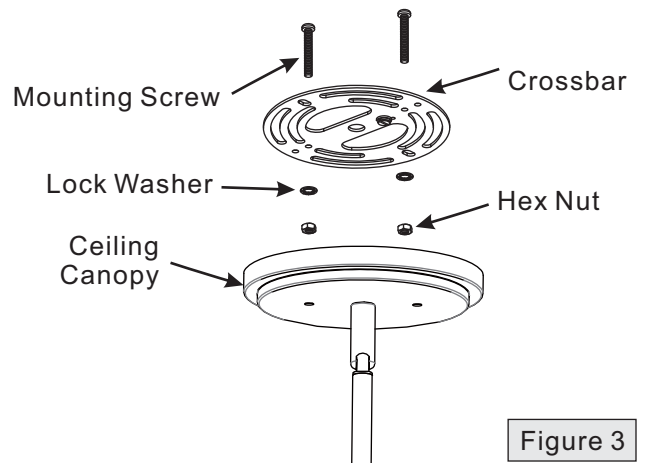
STEP 2 – Assemble Ceiling Canopy to Upper Rod

- A. Pass Supply Wires and Ground Wire through the Ceiling Canopy (F) and then thread the Ceiling Canopy (F) and the Upper Rod together. Hand tighten until snug.



STEP 3 – Attach Mounting Screws, Lock Washers and Hex Nuts to Crossbar

- A. Line up a set of holes on the Crossbar (A) and Holes on the Ceiling Canopy (F).
- B. Thread Mounting Screws (B) into the holes on the Crossbar (A), pass Lock Washers (C) and thread Hex Nut (D) onto the Mounting Screws (B). Hand tighten until snug.

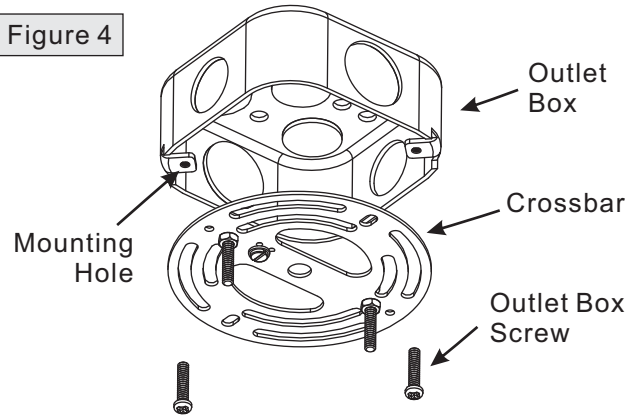


Thank you for purchasing a Quoizel product.
Need assistance with parts or assembly? Call Quoizel customer service at 1-800-645-3184 (9:00am - 5:00pm EST)
or visit us on-line at www.quoizel.com

STEP 4 – Attach Crossbar to Outlet Box

- A. Attach the Crossbar (A) to Outlet Box and secure by threading Outlet Box Screws (M) into the Mounting Holes on the Outlet Box. Tighten until snug.

Figure 4



STEP 5 – Make Wire Connections

- A. Use standard wire connectors (L) to make all wire connections. Strip and prepare wire ends according to instructions supplied with connectors.
 B. Connect White Supply Wire from the Outlet Box to White Wire from fixture.
 C. Connect Black (or Red) Supply Wire from the Outlet Box to Black Wire from fixture.
 D. Connect Ground Wire from the Outlet Box to Ground Wire from fixture.
 E. Twist connectors until wires are tightly joined together.
 F. Wrap each connection with approved electrical tape and carefully stuff all the connected wires into the Outlet Box.

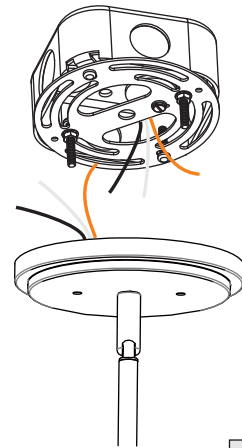


Figure 5

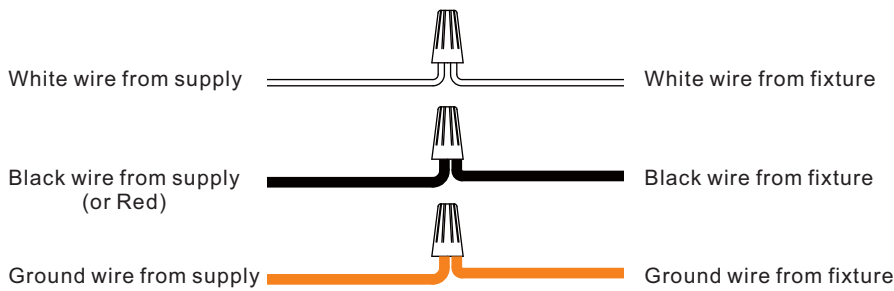


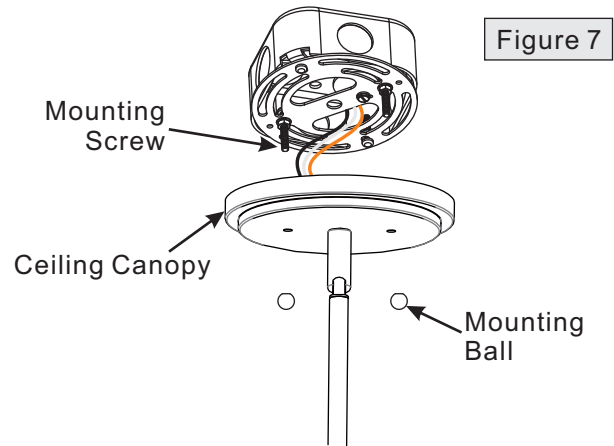
Figure 6

Thank you for purchasing a Quoizel product.

Need assistance with parts or assembly? Call Quoizel customer service at 1-800-645-3184 (9:00am - 5:00pm EST) or visit us on-line at www.quoise.com

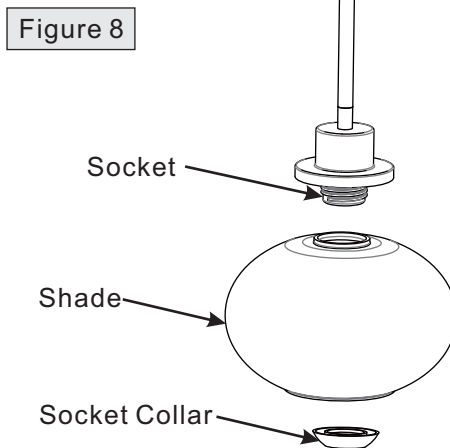
STEP 6 – Attach Ceiling Canopy to Mounting Screw

- A. Place the Ceiling Canopy (F) over the Mounting Screws (B) and secure with Mounting Balls (E). Hand tighten until snug.



STEP 7 – Attach Shade to Fixture Body

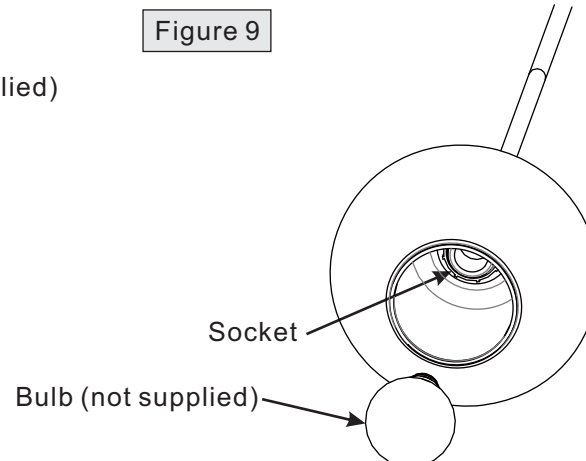
- A. Place Shade (J) over the Socket, secure by thread the Socket Collar (K) onto the Socket, hand tighten until snug.



STEP 8 – Install Bulb

- A. This fixture uses medium base Type-A bulb (not supplied) with standard screw base. Maximum 100W.
B. Insert bulb and screw properly into place.

Your fixture is now assembled and ready to use.
Enjoy!



Thank you for purchasing a Quoizel product.

Need assistance with parts or assembly? Call Quoizel customer service at 1-800-645-3184 (9:00am - 5:00pm EST) or visit us on-line at www.quoizel.com