

Please go to www.quoizel.com for product cleaning tips. Go to the **Care + Maintenance** selection.

Tools Required: Flathead screwdriver, Phillips screwdriver, pliers, wire cutters, wire strippers, electrical tape, safety glasses.

Light Source: (6) G9 Base Clear G9 Xenon Bulbs (not included), 40W Maximum

Estimated Assembly Time: 30-45 minutes

Preparation: Identify and inspect all parts before beginning installation. Check package content list and diagrams below to be sure all parts are present. If any parts are missing or damaged, do not attempt to assemble, install, or operate the fixture. Contact customer service for replacement parts.

⚠ Warnings and Cautions

Turn off electricity at circuit breaker or main fuse box before installation. Consult a licensed electrician if in doubt.

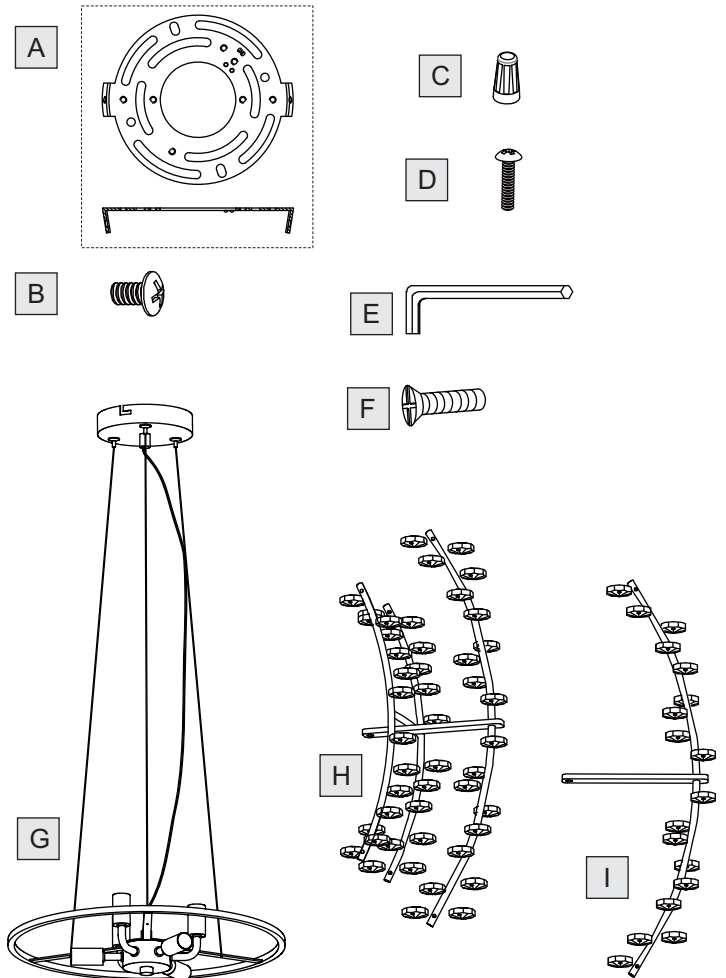
These instructions are provided for your safety. It is very important you read them completely before installing the fixture. We strongly recommend that a licensed, professional electrician perform the installation.

Disconnect fixture from power source before replacing bulbs. Make sure bulbs are given sufficient time to cool before removal.

Do not touch the bulb with bare hands use a cloth or glove.

Package Contents

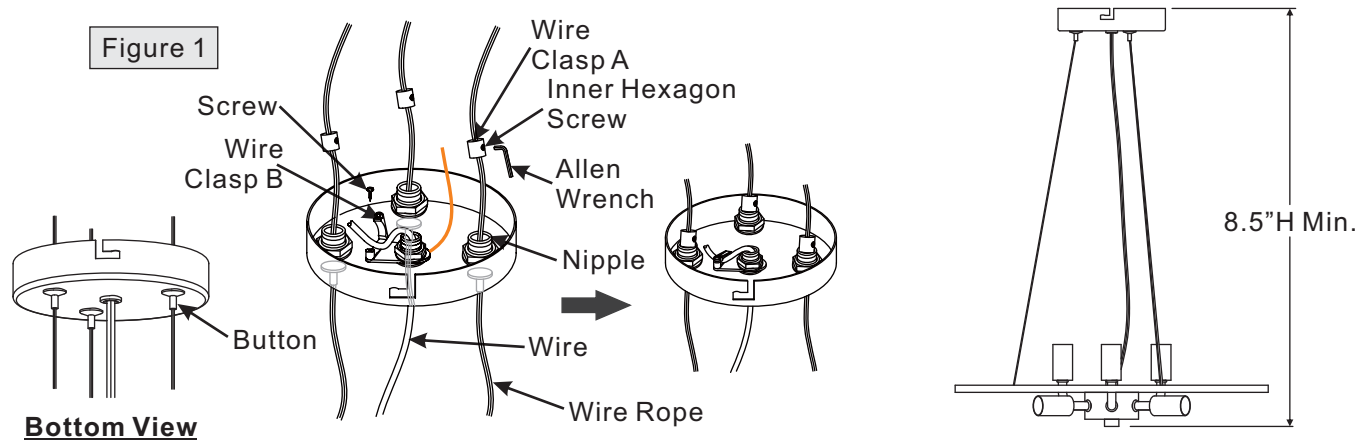
| Part | Description | Quantity |
|------|---|----------|
| A | Crossbar | 1 pc. |
| B | Mounting Screw | 2 pcs. |
| C | Wire Connector | 3 pcs. |
| D | Outlet Box Screw | 2 pcs. |
| E | Allen Wrench | 1 pc. |
| F | Screw | 20 pcs. |
| G | Fixture Body | 1 pc. |
| H | Crystal Bead W/ Metal Frame Set 9"L Part "A" | 10 pcs. |
| I | Crystal Bead W/ Metal Frame Set 9.75"L Part "B" | 10 pcs. |



STEP 1 – Adjust the Fixture Body

- A. Push the Button (Refer to **Bottom View**) and pull the Wire Rope to adjust the length of Wire Rope to achieve your desired fixture height. Then adjust the Wire Clasp A touch the Nipple in the Canopy, secure by using Allen Wrench (E) thread the Inner Hexagon Screw into the Wire Clasp A, tighten until snug for each wire rope.
- B. Remove the Screw to open the Wire Clasp B. adjust the length of Wire to achieve your desired fixture height. Secure by reinstalling the Screw, loosen Clasp B prior to Step A if necessary.

Note: The minimum hanging height is 8.5”H after adjustment.



STEP 2 – Attach Crossbar to Outlet Box

- A. Attach the Crossbar (A) to Outlet Box and secure by threading Outlet Box Screws (D) into the Mounting Holes on the Outlet Box. Tighten until snug.

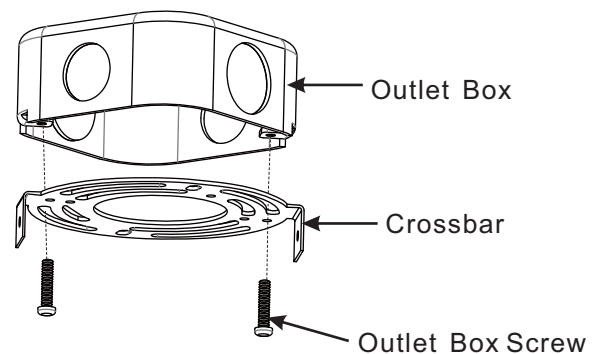


Figure 2

STEP 3 – Make Wire Connections

- A. Use standard wire connectors (C) to make all wire connections. Twist connectors until wires are tightly joined together. Wrap each connection with approved electrical tape and carefully stuff all the connected wires into the Outlet Box.
- B. If the electrical wire is going to be cut shorter than provided, strip back the clear wire covering the 3 fixture wires as far as you need to. This will expose each fixture wire individually. Strip each end of 3 fixture wires.

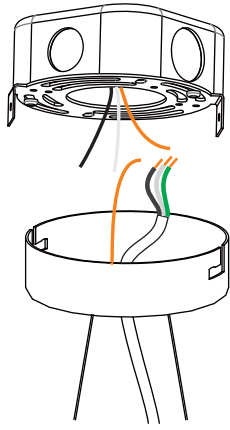


Figure 3

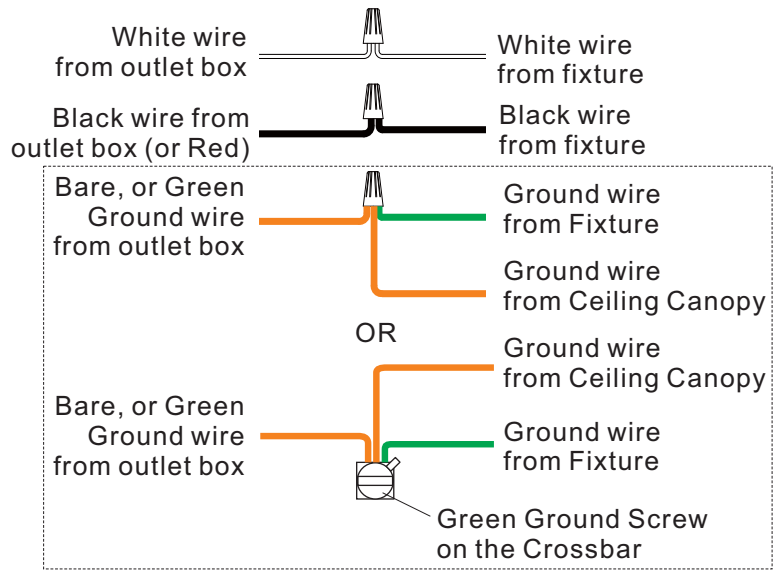


Figure 4

STEP 4 – Attach Ceiling Canopy to Crossbar

- A. Thread Mounting Screws (B) into Mounting Holes on the Crossbar (A). Leave proper length of Mounting Screws (B) for Ceiling Canopy installation.
- B. Pass the Gaps on the Ceiling Canopy over the Mounting Screw (B) and then rotate the Ceiling Canopy. Do not free your hands until the Ceiling Canopy is seated onto the Mounting Screws (B).

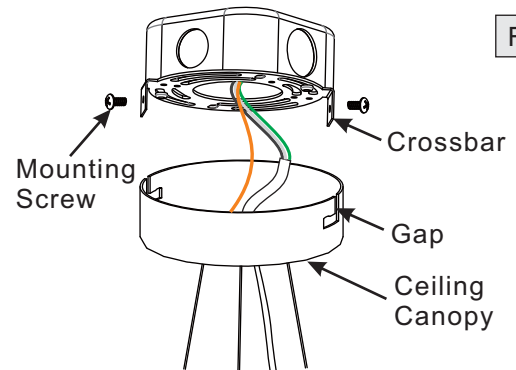


Figure 5

STEP 5 – Install Bulbs

- A. This fixture uses clear G9 Xenon bulbs (not included) with G9 base. Maximum 40 watts. Push snugly into place. **IMPORTANT:** Do not touch the bulb with bare hands use a cloth or glove.

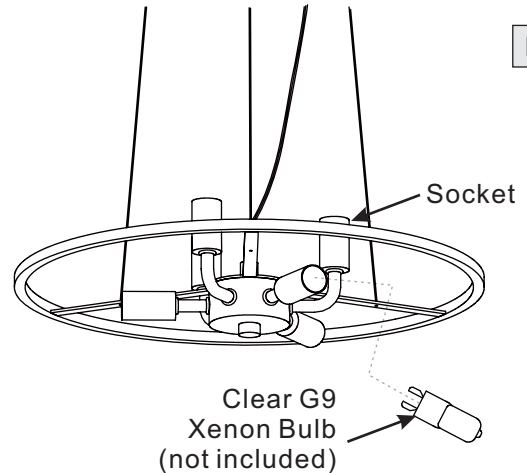


Figure 6

STEP 6 – Install Trims to Fixture

- A. Line up the Hole on Crystal Bead W/ Metal Frame Set 9"L Part "A" (H) with a hole on the Fixture Body (G) and secure with Screw (F). Line up the adjacent hole in Fixture Body (C) with Crystal Bead W/ Metal Frame Set 9.75"L Part "B" (I) and secure with Screw (F), too.
- B. Alternate Crystal Bead W/ Metal Frame Set 9"L Part "A" (H) and Crystal Bead W/ Metal Frame Set 9.75"L Part "B" (I) for each hole in the Fixture Body (G).

Your fixture is now assembled and ready to use. Enjoy!

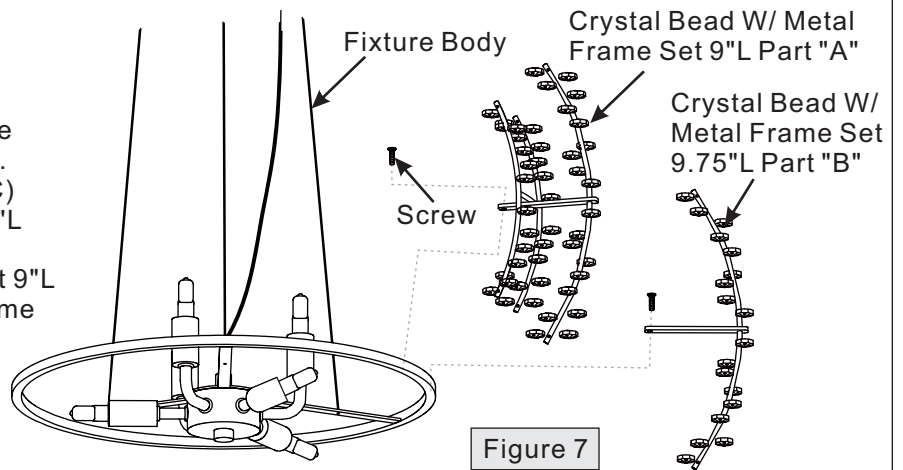


Figure 7

CAUTION FOR BULB REPLACING

- A. When replace bulb, turn off power and allow lamp to cool. For safety purpose, wear gloves and eye protection.
- B. If bulb is scratched or cracked, DO NOT use the lamp to avoid breakage during use or installation.
- C. Use only in fixtures rated for lamps wattage and voltage.
- D. Prevent the bulb from contacting liquid or combustible materials.